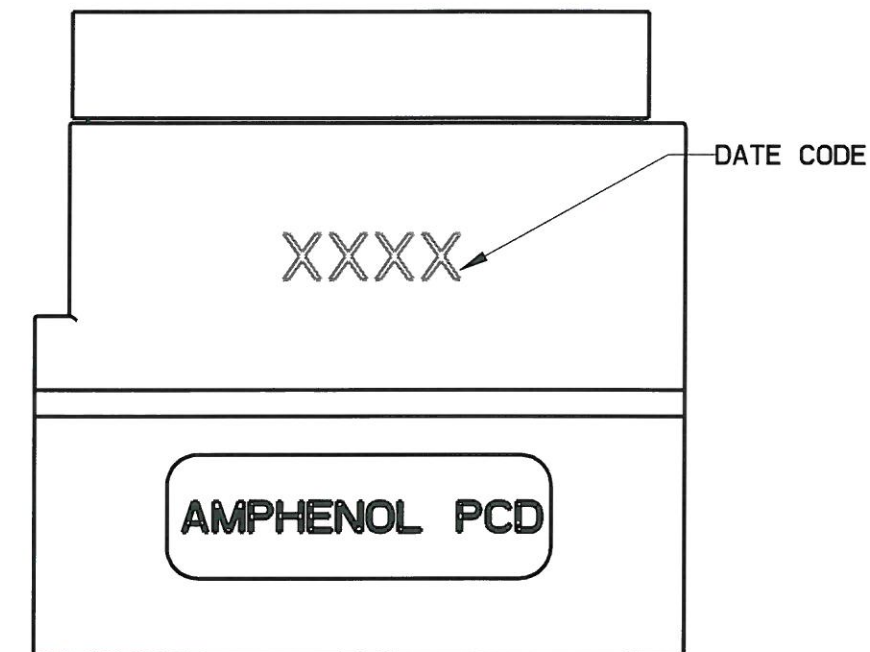
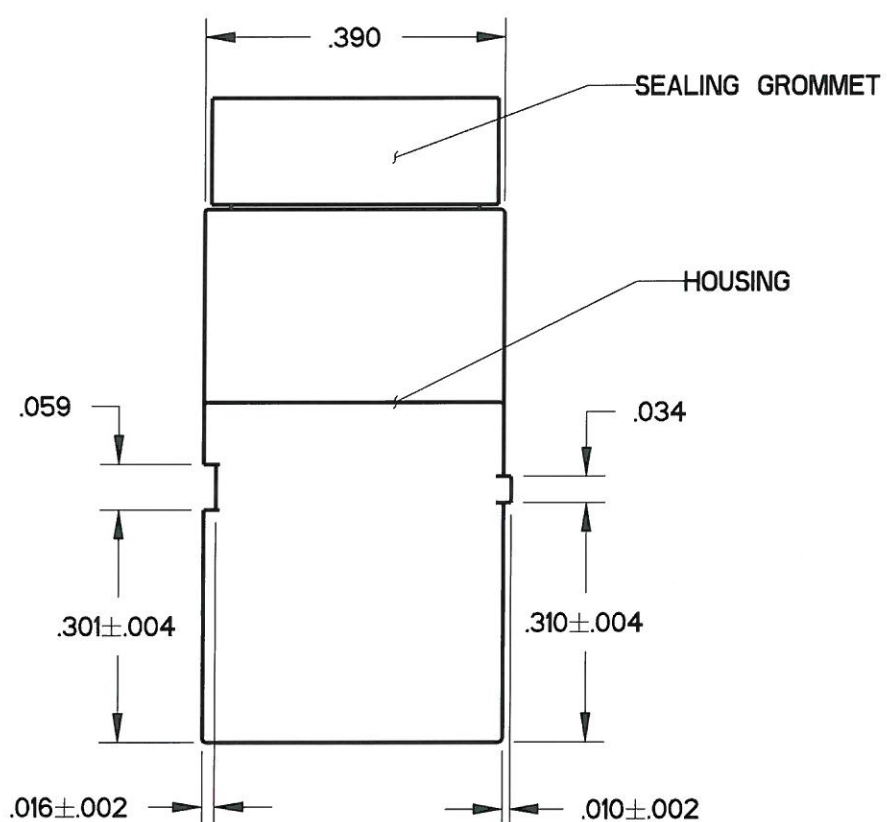
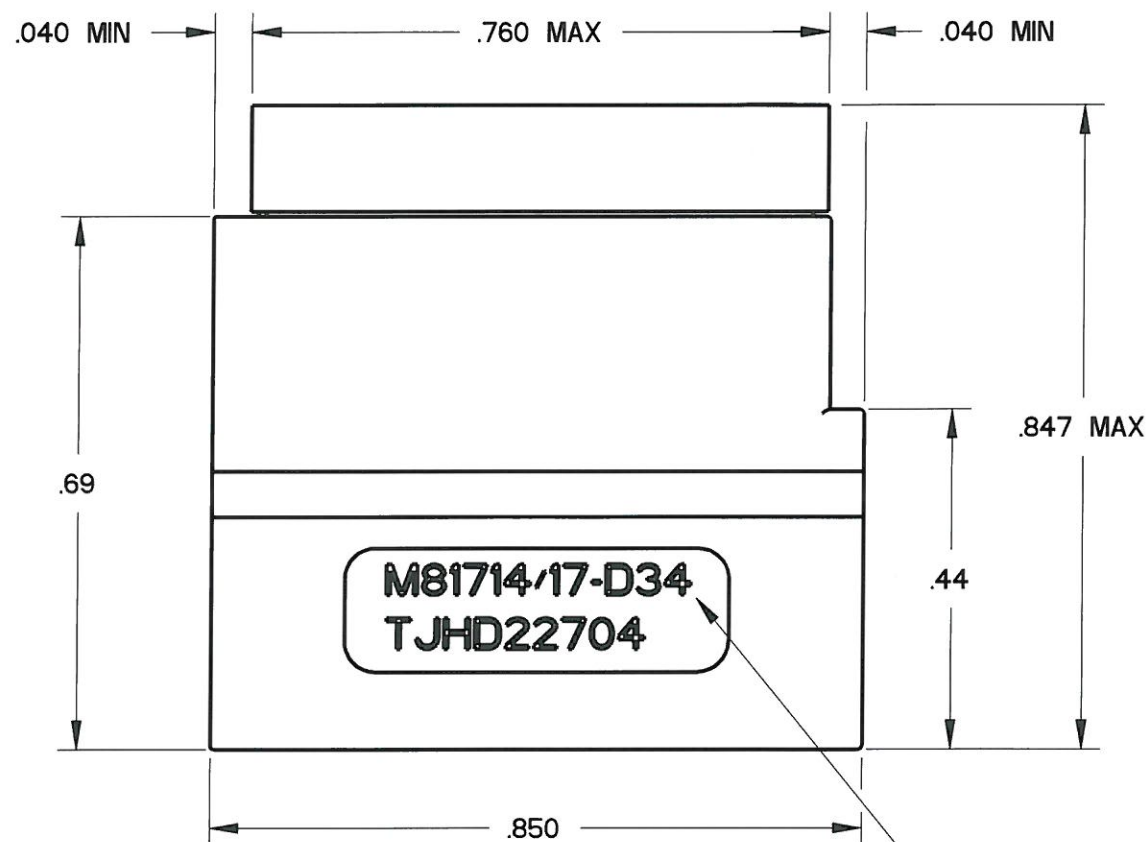
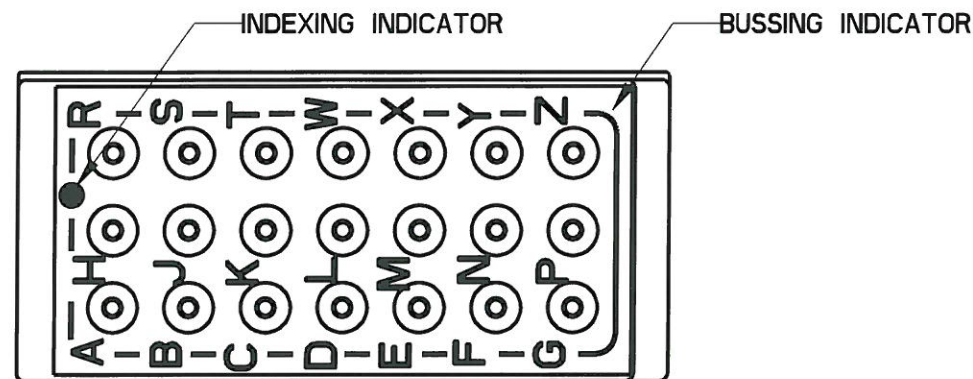


REV	ECN	APP'D
-	2939	JR 2/7/97
A	3043	AP 7/22/97
B	3338	JR 7/16/98
C	6200	JT 8/25/08
D	6349	8/27/10



IDENTIFICATION CHARACTERS
.06 HEIGHT

PART NO.	INCLUDED W/ MODULE
TJHD22604	MODULE ONLY
TJHD22704	22 EACH M39029/1-507 PIN CONTACTS 2 EACH M527488-22 SEALING PLUGS

- NOTES:
1. MATERIAL:
HOUSING - THERMOPLASTIC, COLOR: BLACK.
GROMMET - SILICONE RUBBER, COLOR: BLUE
INTERNAL BUSSING - COPPER ALLOY
2. MODULE ACCEPTS M39029/1-507 PIN CONTACTS

DIMENSIONS	TOLERANCES	PROJECTION
ANSI Y14.5M UNITS: INCHES Pro/E FILE	.XX ±0.01 .XXX ±0.005 ANGLES ±2.0°	
ORIGINAL	THIS DOCUMENT CONTAINS PROPRIETARY INFORMATION WHICH IS THE CONFIDENTIAL PROPERTY OF AMPHENOL PCD INC., BEVERLY, MA	

Amphenol Pcd

SPECIFICATION DRAWING

ENGR
A. PATRIE 03/08/06

CHKD *[Signature]* 9/27/10

APPD *[Signature]* 7/27/10

TITLE		
MODULE, TERMINAL JUNCTION SIZE 22, HI-DENSITY D34 BUS ARRANGEMENT		
SIZE	DWG NO.	REV
B	TJHD22604	D
CODE: 58982	SCALE: 4:1	SHEET 1 OF 1

TJHD22604

TJHD22604