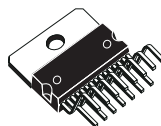


MULTIPLE MULTIFUNCTION VOLTAGE REGULATOR FOR CAR RADIO

- 5 REGULATORS: 10V (350mA); 8.5V (175mA); 5V (350mA); 5V (250mA); 8V/10V (1A)
- ALL REGULATORS ARE LOW DROPOUT OUTPUTS
- 3 HIGH SIDE DRIVERS: 2A (HSD1), 0.45A (HSD2 & HSD3)
- NO EXTERNAL CHARGE PUMP CAPACITORS ARE REQUIRED
- STAND BY MODE CONTROLLED BY 3 INPUT PINS: ENABLE FOR REG2 AND REG3, I²C BUS FOR REG1, REG4, REG5, HSD1, HSD2, HSD3
- INDIVIDUAL THERMAL SHUTDOWN
- INDEPENDENT CURRENT LIMITING
- SHORT CIRCUIT PROTECTION
- LOAD DUMP PROTECTION AND OVERVOLTAGE SHUTDOWN
- ESD PROTECTED



MULTIWATT15

ORDERING NUMBER: L5950

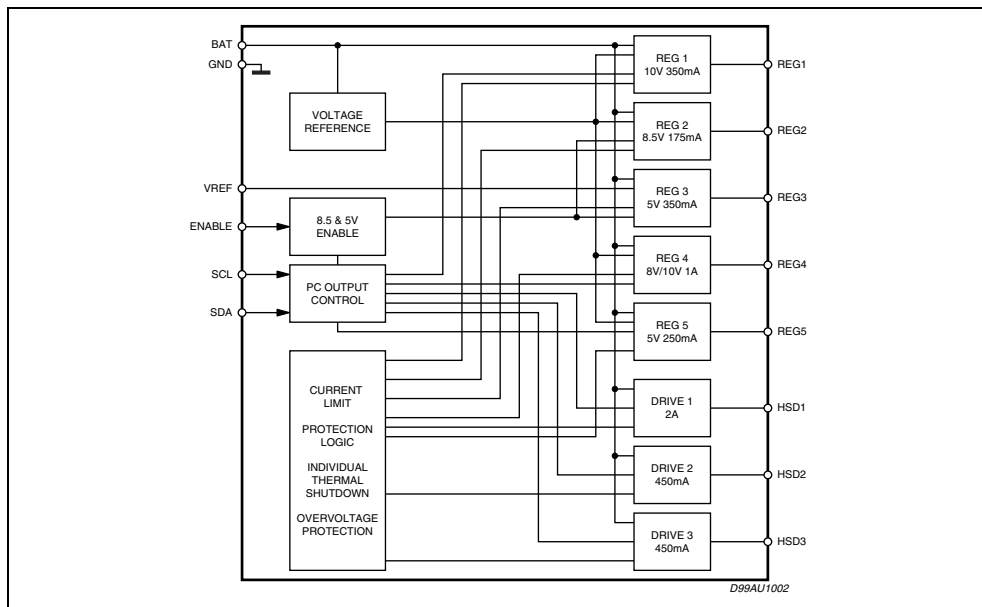
DESCRIPTION

The ASPM (Audio System Power Module) is an integration of three high side drivers and five regulators developed to provide the power for an audio system.

The outputs of the IC are controlled via the I²C bus and the Enable input.

External protection must be provided for reverse battery protection.

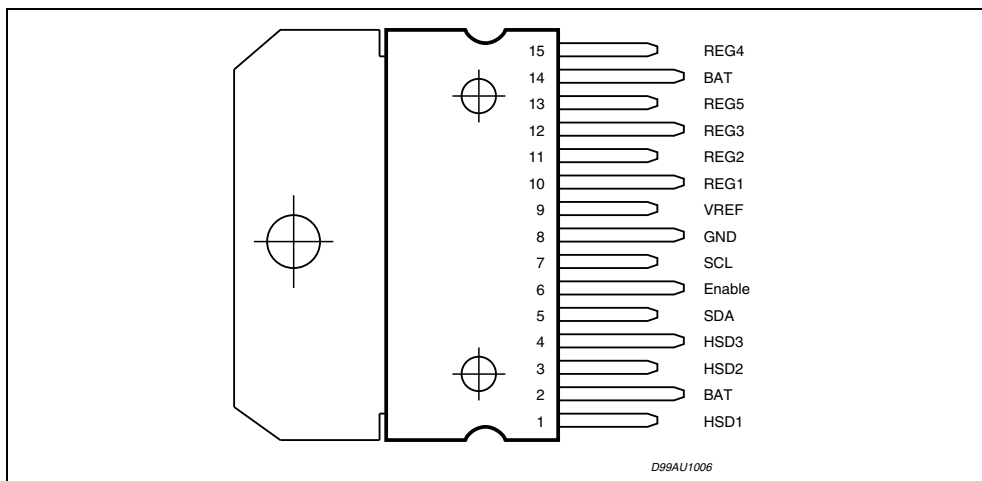
BLOCK DIAGRAM



ABSOLUTE MAXIMUM RATING

Symbol	Parameter	Value	Unit
V_S	DC Operating Supply Voltage	-0.6 to 26.5	V
V_S	Transient Supply Overvoltages, rise time = 10ms delay time = 115ms	34	V
V_{in}	Input Voltages (EN, SDA, SCL)	-0.6 to 9	V
V_{out}	Output Control Voltage	-0.6 to 6.0	V
T_{op}	Operating Temperature Range	-40 to 85	°C
T_{stg}	Storage Temperature Range	-40 to 150	°C

PIN CONNECTION (Top view)



THERMAL DATA

Symbol	Parameter	Value	Unit
$R_{th\ j-case}$	Thermal Resistance Junction to case	2	°C/W

ELECTRICAL CHARACTERISTICSRefer to the application circuit, $V_S = 14.4V$; $T_{amb} = 25^\circ C$; unless otherwise specified.

Symbol	Parameter	Test Condition	Min.	Typ.	Max.	Unit
$I_{q,ST-BY}$	Standby Quiescent Current	All Outputs Off, $V_{BAT} = 14V$			2	μA
I_q	Maximum Quiescent Current	$V_{BAT} = 14V$, $I_{REG1} = 350mA$, $I_{REG2} = 175mA$, $I_{REG3} = 350mA$, $I_{REG4} = 1A$, $I_{REG5} = 250mA$, $I_{HSD1} = 2A$, $I_{HSD2,3} = 450mA$			150	mA
I_{EN}	Enable Input Current	$V_{BAT} = 14V$, Enable $\geq 2V$ $V_{BAT} = 14V$, Enable $\geq 0.8V$	-10		10	μA
V_{IL} , V_{IH}	Enable Threshold Voltage	$V_{BAT} = 14V$, V_{IL} $V_{BAT} = 14V$, V_{IH}	2		0.8	V V
10V/350mA REG 1 OUTPUT						
V_{REG1}	Output Voltage	$I_{REG1} = 350mA$ $11V \leq V_{CC} \leq 16V$	9.50	10	10.5	V
ΔV_{line}	Line Regulation	$11V \leq V_{CC} \leq 26V$ (Measure ΔV_{REG1} Across V_{CC} Range)			55	mV
ΔV_{load}	Load Regulation	$5mA \leq I_{REG1} \leq 350mA$			55	mV
$V_{DROPOUT}$	Dropout Voltage (Measure V_{BAT} V_{REG1} when V_{REG1} drops 0.1V)	(Measure V_{BAT} V_{REG1} when V_{REG1} drops 0.1V) $I_{REG1} = 350mA$ $I_{REG1} = 5mA$			900 300	mV mV
I_{lim1}	Current Limit		0.51		1.1	A
SVR	Ripple Rejection	$f_o = 1kHz$, $V_{BAT} = 14V$ with 1Vpp AC $I_{REG1} = 175mA$	50			dB
8.5V/175mA REG 2 OUTPUT						
V_{REG2}	Output Voltage	$I_{REG2} = 175mA$ $9.5V \leq V_{BAT} \leq 16V$	8.3	8.5	8.7	V
ΔV_{line}	Line Regulation	$9.5V \leq V_{BAT} \leq 26V$ (Measure ΔV_{REG2} Across V_{BAT} Range)			50	mV
ΔV_{load}	Load Regulation	$5mA \leq I_{REG2} \leq 175mA$			50	mV
$V_{DROPOUT}$	Dropout Voltage	(Measure V_{BAT} V_{REG2} when V_{REG2} drops 0.1V) $I_{REG2} = 175mA$ $I_{REG2} = 5mA$			900 300	mV mV
I_{lim2}	Current Limit		280		525	mA
SVR	Ripple Rejection	$f_o = 1kHz$, $V_{BAT} = 14V$ with 1Vpp AC $I_{REG2} = 100mA$	50			dB
5V/350mA REG 3 OUTPUT						
V_{REG3}	Voltage Offset from V_{REF}			10	40	mV
ΔV_{line}	Line Regulation	$7V \leq V_{BAT} \leq 26V$ (Measure ΔV_{REG3} Across V_{BAT} Range)			50	mV
ΔV_{load}	Load Regulation	$5mA \leq I_{REG3} \leq 350mA$			100	mV

ELECTRICAL CHARACTERISTICS (continued)Refer to the application circuit, $V_S = 14.4V$; $T_{amb} = 25^\circ C$; unless otherwise specified.

Symbol	Parameter	Test Condition	Min.	Typ.	Max.	Unit
$V_{DROPOUT}$	Dropout Voltage (Measure V_{BAT} - V_{REG3} when V_{REG3} drops 0.1V)	(Measure V_{BAT} - V_{REG3} when V_{REG3} drops 0.1V) $I_{REG3} = 175mA$ $I_{REG3} = 5mA$			950 600	mV mV
I_{lim3}	Current Limit		0.5		1	A
SVR	Ripple Rejection	$f_0 = 1kHz$, $V_{BAT} = 14V$ with 1Vpp AC, $I_{REG3} = 175mA$	50			dB
8/10V/1A REG 4 OUTPUT						
V_{REG4}	Output Voltage	$I_{REG4} = 1A$ $b5 = 0$ $b5 = 1$	7.6 9.50	8 10	8.4 10.5	V V
ΔV_{line}	Line Regulation	$11V \leq V_{BAT} \leq 26V$, $b5 = 1$ (Measure ΔV_{REG2} Across V_{BAT} Range)			50	mV
ΔV_{load}	Load Regulation	$5mA \leq I_{REG4} \leq 1A$			150	mV
$V_{DROPOUT}$	Dropout Voltage	(Measure V_{BAT} - V_{REG2} when V_{REG2} drops 0.1V) $I_{REG4} = 1A$ $I_{REG4} = 5mA$			950 600	mV mV
I_{lim4}	Current Limit		1.3		2.4	A
SVR	Ripple Rejection	$f_0 = 1kHz$, $V_{BAT} = 14V$ with 1Vpp AC, $I_{REG4} = 500mA$	50			dB
5V/250mA REG 5 OUTPUT						
V_{REG5}	Output Voltage	$I_{REG5} = 250mA$	4.75	5	5.25	V
ΔV_{line}	Line Regulation	$7V \leq V_{BAT} \leq 26V$ (Measure ΔV_{REG5} Across V_{BAT} Range)			40	mV
ΔV_{load}	Load Regulation	$5mA \leq I_{REG5} \leq 250mA$			100	mV
$V_{DROPOUT}$	Dropout Voltage	(Measure V_{BAT} - V_{REG5} when V_{REG5} drops 0.1V) $I_{REG5} = 250A$ $I_{REG5} = 5mA$			1.6 1.2	V V
I_{lim5}	Current Limit		320		700	mA
SVR	Ripple Rejection	$f_0 = 1kHz$, $V_{BAT} = 14V$ with 1Vpp AC, $I_{REG5} = 125mA$	50			dB
2A HSD1						
V_{sat}	Output Saturation Voltage	$I_{HSD1} = 1A$ Continuous Time Operation			0.5	V
I_{leak1}	Output Leakage Current	All Driver Outputs are Off	-50		50	μA
I_{lim}	Current Limiting	$R_{HSD1} = 0.5\Omega$	2.4		4	A
0.45A HSD2 & HSD3						
V_{sat}	Output Saturation Voltage	$I_{HSD2,3} = 300mA$ Continuous Time Operation			0.6	V
$I_{leak2,3}$	Output Leakage Current	All Driver Outputs are Off	-50		50	μA
I_{lim}	Current Limiting	$R_{HSD2,3} = 0.5\Omega$	0.56		1	A
CHARACTERISTICS FOR I2C						
V_{IL}	LOW Level Input Voltage				1.5	V

ELECTRICAL CHARACTERISTICS (continued)

Refer to the application circuit, $V_S = 14.4V$; $T_{amb} = 25^\circ C$; unless otherwise specified.

Symbol	Parameter	Test Condition	Min.	Typ.	Max.	Unit
V_{IH}	HIGH Level Input Voltage		3			V
V_{HYS}	Input Hysteresis		0.2			V
V_{OL1} V_{OL2}	LOW Level Output	Sink Current = 3mA Sink Current = 6mA			0.4 0.6	V V
I_I	Input Current	$0.4V \leq V_I \leq 0.9V_{DDmax}$	-10		10	μA
f_{SCL}	SCL Clock Frequency				400	kHz

FUNCTIONAL DESCRIPTION

The three high side drivers are a 2.0A output (HSD1), and two 450mA outputs (HSD2 & 3). The five regulator outputs are a 10V at 350mA (REG1), an 8.5V at 175mA (REG2), a 5V at 350mA (REG3), an 8V/10V at 1A (REG4), and 5V at 250mA (REG5). The regulators are low dropout. The regulators will operate with output capacitors with ESR of 0.1Ω to 5Ω .

The 8.5V regulator output (REG2) is a tighter tolerance output than the other regulator outputs. The 8.5V output is a $\pm 2.5\%$ (5% total range) output over temperature. This is required on the regulator to improve performance and reduce cost on the 8.5V driven IC's in the radio. The tighter tolerance is possible by performing a trim of the bandgap reference to the 8.5V output. The other outputs are $\pm 5\%$ variation over temperature.

REG3 is referenced from the VREF input not the internal bandgap. This is done to minimize the voltage offset between individual 5V supplies.

The REG2 and REG3 outputs are turned on and off with the Enable input, a '1' turns the outputs on and a '0' turns them off. When Enable is "1", the other outputs can be independently controlled via the I²C bus. When a given regulator is turned off it must be guaranteed to be lower than 0.2V. The output voltage of REG4 is selected via bit 5 of the I²C data byte: 8V is the output voltage if bit5 = '0' while 10V is the output voltage when bit5 = '1'. When all outputs are turned off the total current draw must be minimized. I²C will run at a clock speed range of 100kHz to 400kHz. This device should be capable of operating at any frequency within this range.

Protection

The L5950 can survive under the following conditions: shorting the outputs to BAT and GND, loss of BAT, loss of IC GND, double battery(+26.5V), 4000V ESD, 34V load dump. L5950 will not handle a reverse battery condition. External components must be implemented for reverse battery protection.

Thermal Shutdown: REG1, REG2, REG3, REG4, REG5 outputs shutdown at $160^\circ C$ and return to normal operation at $130^\circ C$. The HSD2 and HSD3 shutdown at $160^\circ C$ and return to normal operation at $130^\circ C$. The HSD1 with go into thermal shutdown at $170^\circ C$ and returns to operation at $120^\circ C$.

Current Limiting: each voltage regulator will contain its own current protection.

Short Circuit: If the outputs are short circuited, the IC will go into current limiting and eventually the thermal shutdown will kick in. Current limiting will not disable the outputs.

Overvoltage: The IC will not operate if the BAT voltage reaches 27V typ. or above.

Figure 1. Definition of Timing on the I²C Bus.

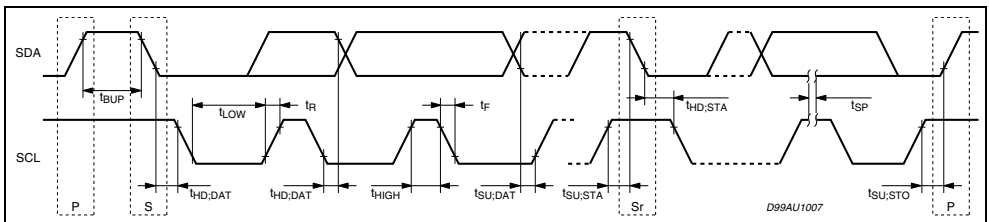
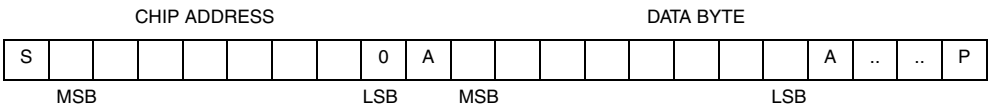
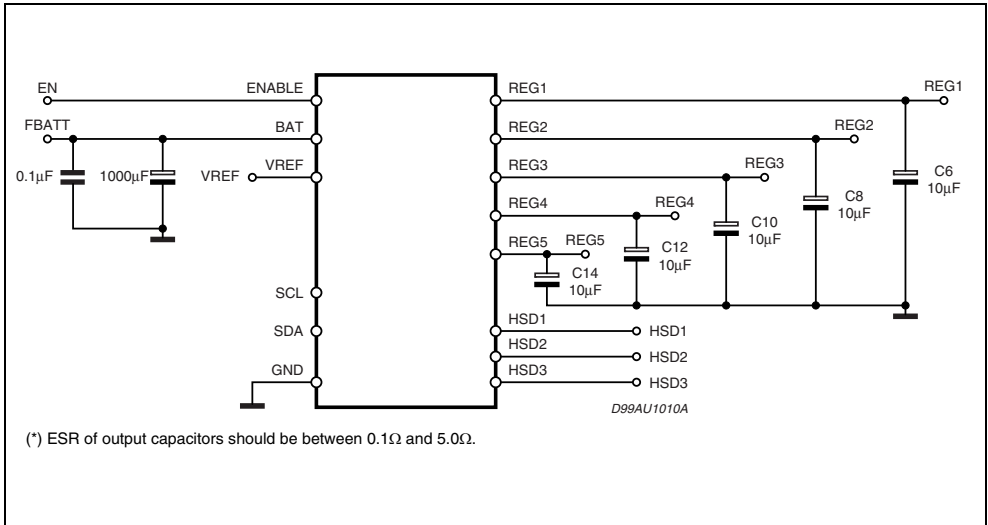


Figure 2. Typical Application Circuit.



S = START condition - SDA goes from high to low while SCL is high
 A = Acknowledge - the device being written to, pulls down on data line (SDA) during the acknowledge clock pulse.
 P = STOP condition - SDA goes from low to high while SCL is high.

CHIP ADDRESS BYTE:

CHIP ADDRESS							READ/WRITE	
A7	A6	A5	A4	A3	A2	A1	A0	
0	0	0	1	0	0	0	0	

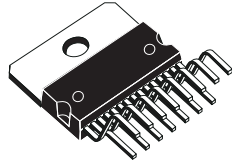
DATA BYTE:

DATA BYTE							
REG1		R4 10V	REG4	REG5	HSD1	HSD2	HSD3
b7	b6	b5	b4	b3	b2	b1	b0
	X						

Default mode is 0000 0000 which corresponds to all outputs being off, low power mode.

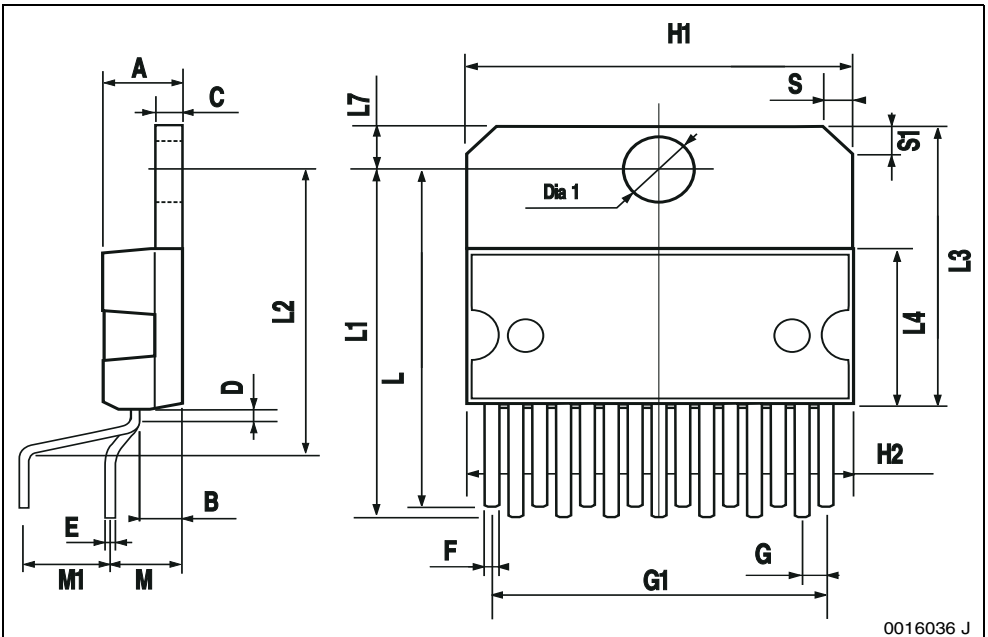
Bit 5 Controls the output voltage of REG4. A '0' corresponds to 8V and a '1' corresponds to 10V.

OUTLINE AND MECHANICAL DATA



Multiwatt15 (Vertical)

DIM.	mm			inch		
	MIN.	TYP.	MAX.	MIN.	TYP.	MAX.
A5						0.197
B			2.65			0.104
C			1.6			0.063
D		1			0.039	
E	0.49		0.55	0.019		0.022
F	0.66		0.75	0.026		0.030
G	1.02	1.27	1.52	0.040	0.050	0.060
G1	17.53	17.78	18.03	0.690	0.700	0.710
H1	19.6			0.772		
H2			20.2			0.795
L	21.9	22.2	22.5	0.862	0.874	0.886
L1	21.7	22.1	22.5	0.854	0.87	0.886
L2	17.65		18.1	0.695		0.713
L3	17.25	17.5	17.75	0.679	0.689	0.699
L4	10.3	10.7	10.9	0.406	0.421	0.429
L7	2.65		2.9	0.104		0.114
M	4.25	4.55	4.85	0.167	0.179	0.191
M1	4.73	5.08	5.43	0.186	0.200	0.214
S	1.9		2.6	0.075		0.102
S1	1.9		2.6	0.075		0.102
Dia1	3.65		3.85	0.144		0.152



0016036 J

Please Read Carefully:

Information in this document is provided solely in connection with ST products. STMicroelectronics NV and its subsidiaries ("ST") reserve the right to make changes, corrections, modifications or improvements, to this document, and the products and services described herein at any time, without notice.

All ST products are sold pursuant to ST's terms and conditions of sale.

Purchasers are solely responsible for the choice, selection and use of the ST products and services described herein, and ST assumes no liability whatsoever relating to the choice, selection or use of the ST products and services described herein.

No license, express or implied, by estoppel or otherwise, to any intellectual property rights is granted under this document. If any part of this document refers to any third party products or services it shall not be deemed a license grant by ST for the use of such third party products or services, or any intellectual property contained therein or considered as a warranty covering the use in any manner whatsoever of such third party products or services or any intellectual property contained therein.

UNLESS OTHERWISE SET FORTH IN ST'S TERMS AND CONDITIONS OF SALE ST DISCLAIMS ANY EXPRESS OR IMPLIED WARRANTY WITH RESPECT TO THE USE AND/OR SALE OF ST PRODUCTS INCLUDING WITHOUT LIMITATION IMPLIED WARRANTIES OF MERCHANTABILITY, FITNESS FOR A PARTICULAR PURPOSE (AND THEIR EQUIVALENTS UNDER THE LAWS OF ANY JURISDICTION), OR INFRINGEMENT OF ANY PATENT, COPYRIGHT OR OTHER INTELLECTUAL PROPERTY RIGHT.

ST PRODUCTS ARE NOT DESIGNED OR AUTHORIZED FOR USE IN: (A) SAFETY CRITICAL APPLICATIONS SUCH AS LIFE SUPPORTING, ACTIVE IMPLANTED DEVICES OR SYSTEMS WITH PRODUCT FUNCTIONAL SAFETY REQUIREMENTS; (B) AERONAUTIC APPLICATIONS; (C) AUTOMOTIVE APPLICATIONS OR ENVIRONMENTS, AND/OR (D) AEROSPACE APPLICATIONS OR ENVIRONMENTS. WHERE ST PRODUCTS ARE NOT DESIGNED FOR SUCH USE, THE PURCHASER SHALL USE PRODUCTS AT PURCHASER'S SOLE RISK, EVEN IF ST HAS BEEN INFORMED IN WRITING OF SUCH USAGE, UNLESS A PRODUCT IS EXPRESSLY DESIGNATED BY ST AS BEING INTENDED FOR "AUTOMOTIVE, AUTOMOTIVE SAFETY OR MEDICAL" INDUSTRY DOMAINS ACCORDING TO ST PRODUCT DESIGN SPECIFICATIONS. PRODUCTS FORMALLY ESCC, QML OR JAN QUALIFIED ARE DEEMED SUITABLE FOR USE IN AEROSPACE BY THE CORRESPONDING GOVERNMENTAL AGENCY.

Resale of ST products with provisions different from the statements and/or technical features set forth in this document shall immediately void any warranty granted by ST for the ST product or service described herein and shall not create or extend in any manner whatsoever, any liability of ST.

ST and the ST logo are trademarks or registered trademarks of ST in various countries.
Information in this document supersedes and replaces all information previously supplied.

The ST logo is a registered trademark of STMicroelectronics. All other names are the property of their respective owners.

© 2013 STMicroelectronics - All rights reserved

STMicroelectronics group of companies

Australia - Belgium - Brazil - Canada - China - Czech Republic - Finland - France - Germany - Hong Kong - India - Israel - Italy - Japan - Malaysia - Malta - Morocco - Philippines - Singapore - Spain - Sweden - Switzerland - United Kingdom - United States of America

www.st.com