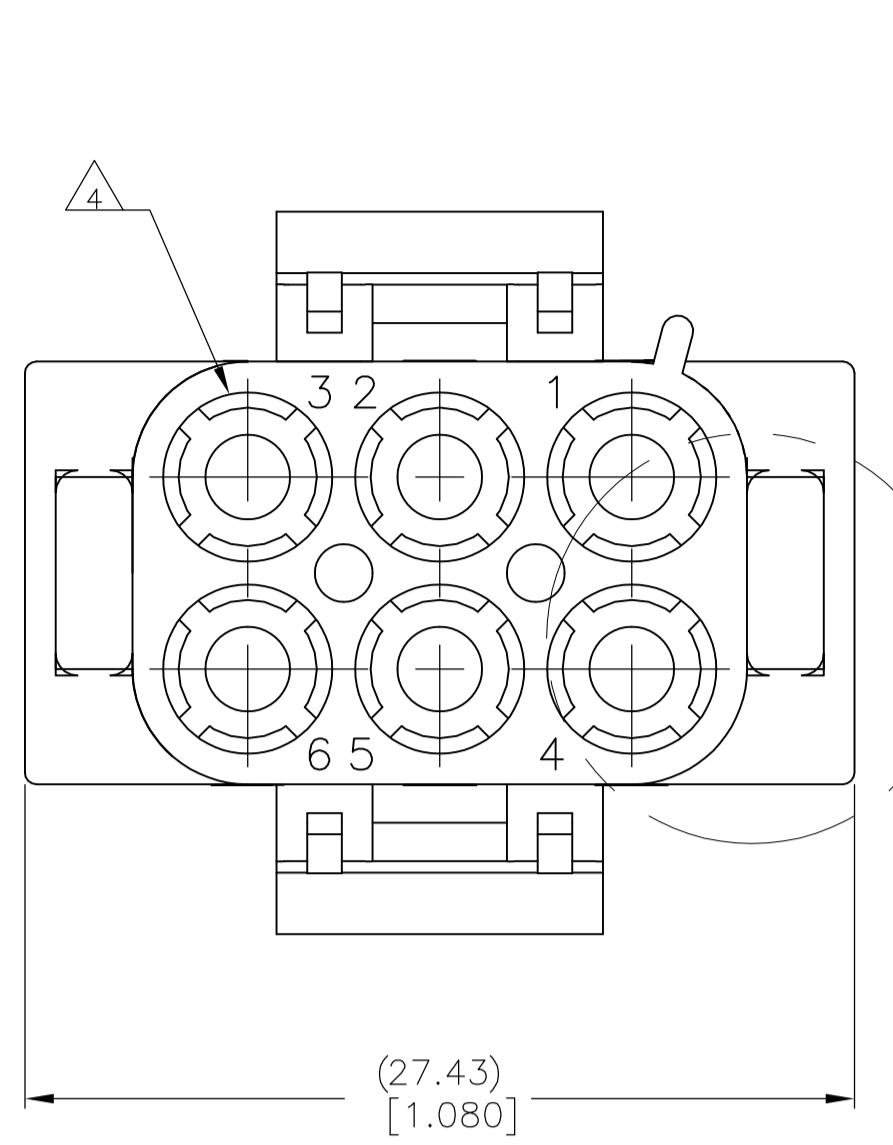
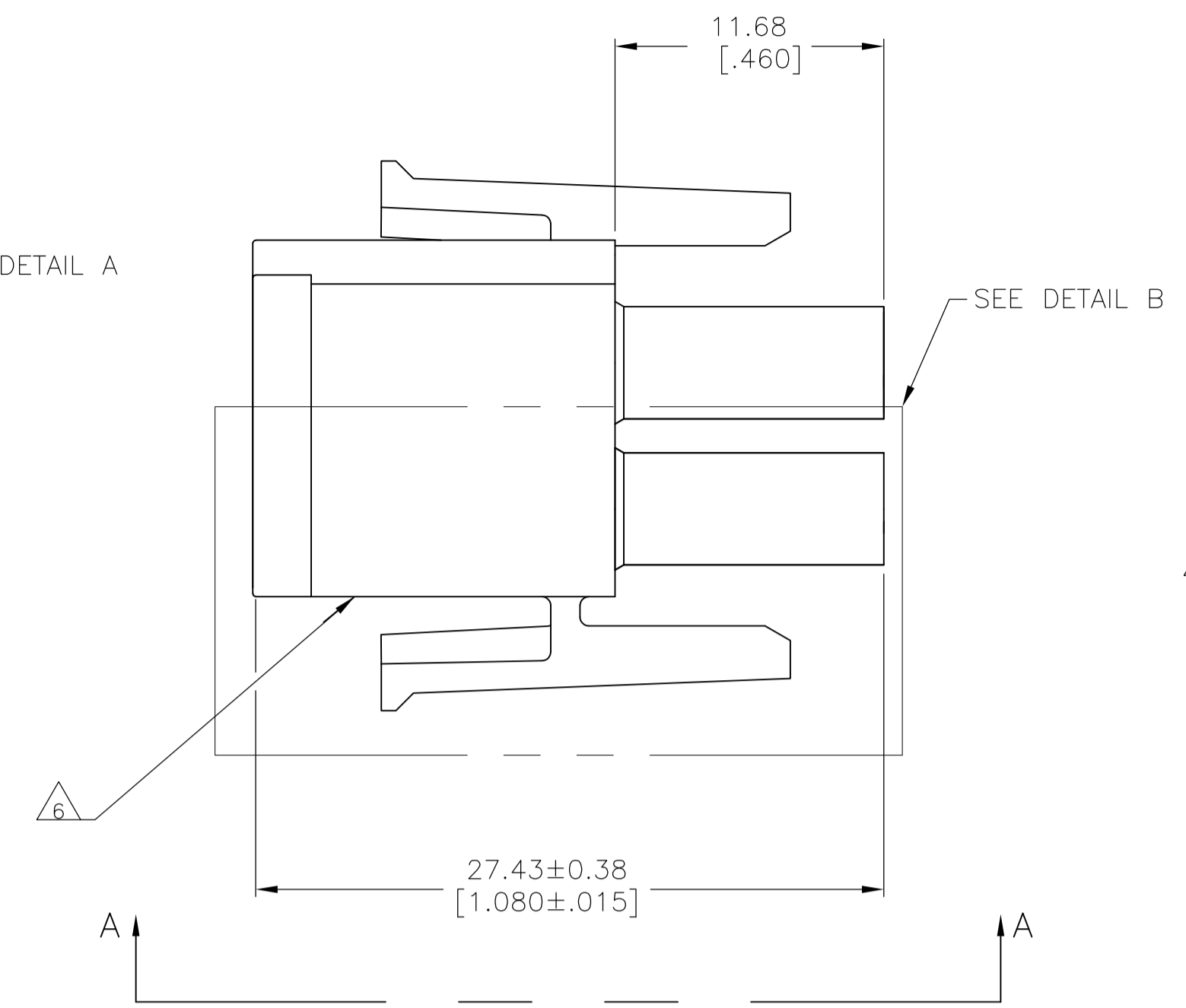


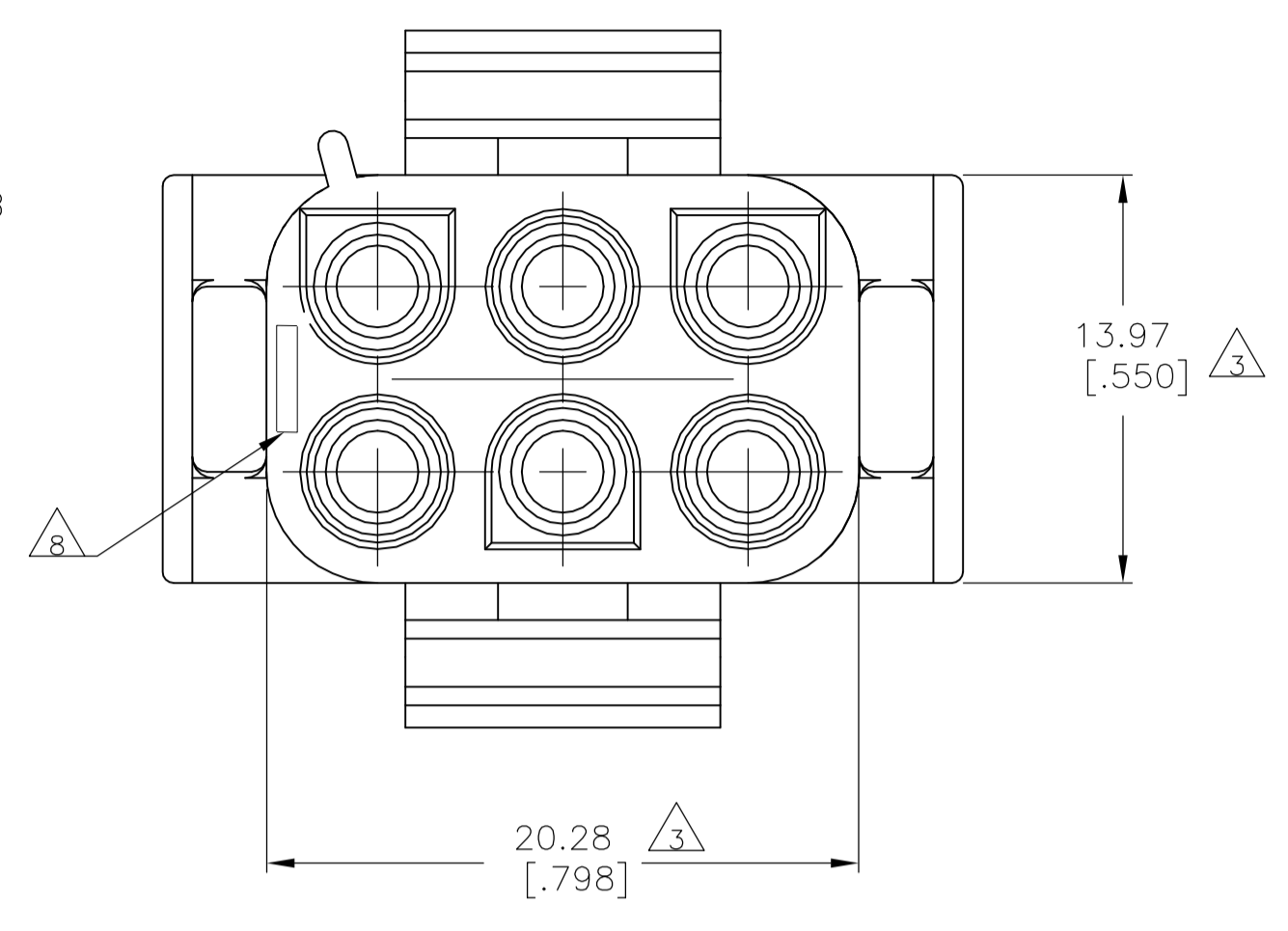
LOC		DIST		REVISIONS			
P	LTR	DESCRIPTION	DATE	DMN	APVD		
Y3		REVISED PER ECR-12-019326	16NOV12	KH	TM		



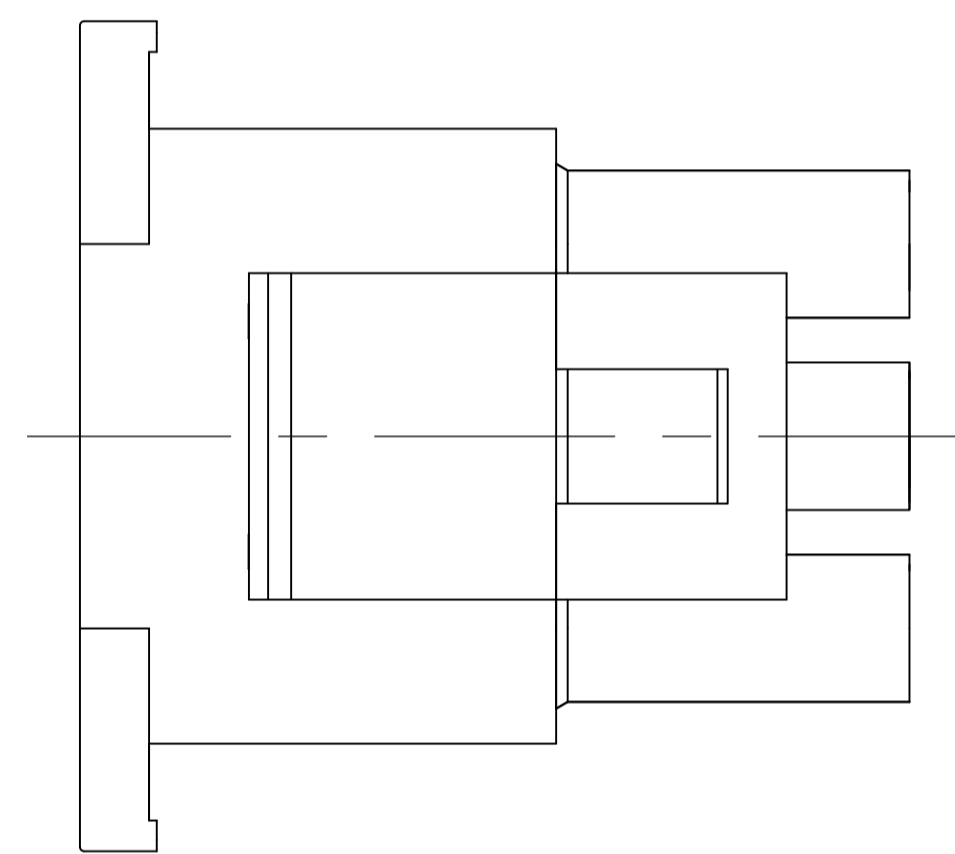
SEE DETAIL A



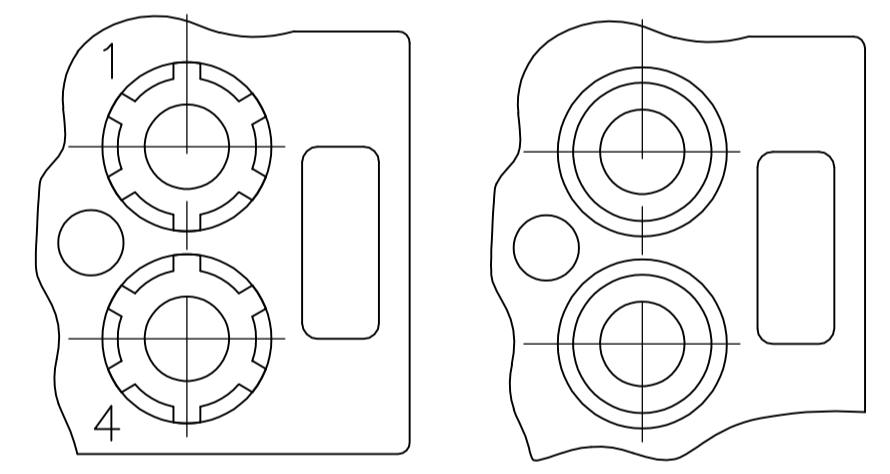
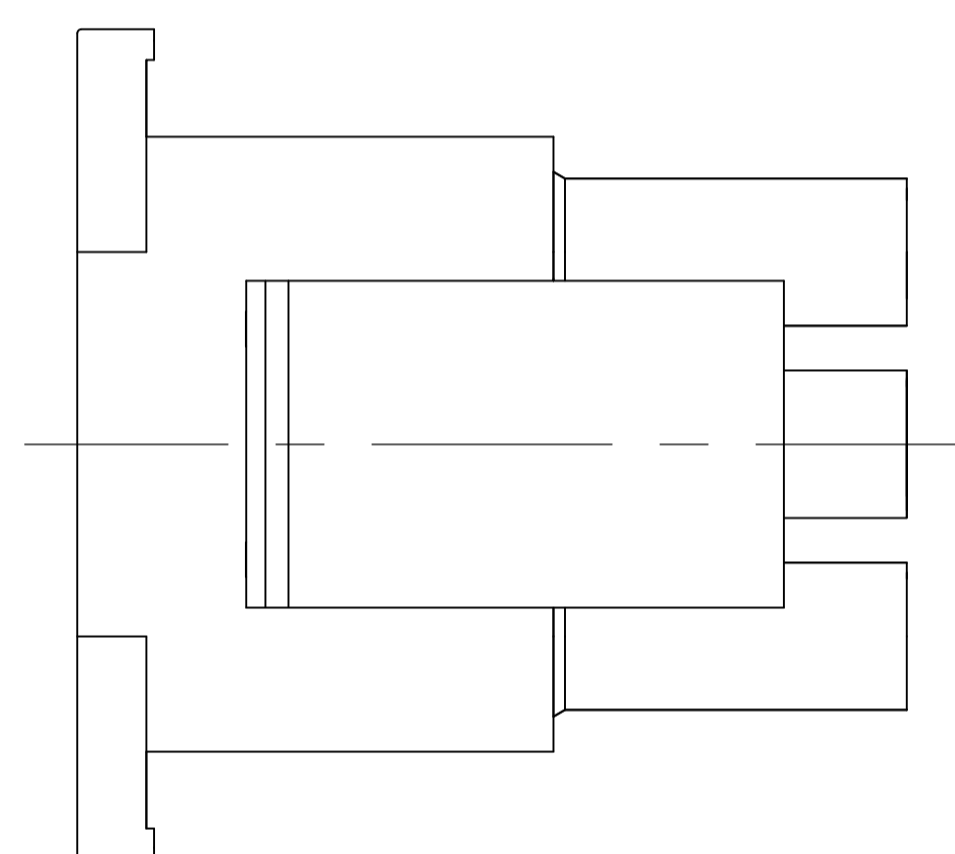
SEE DETAIL B



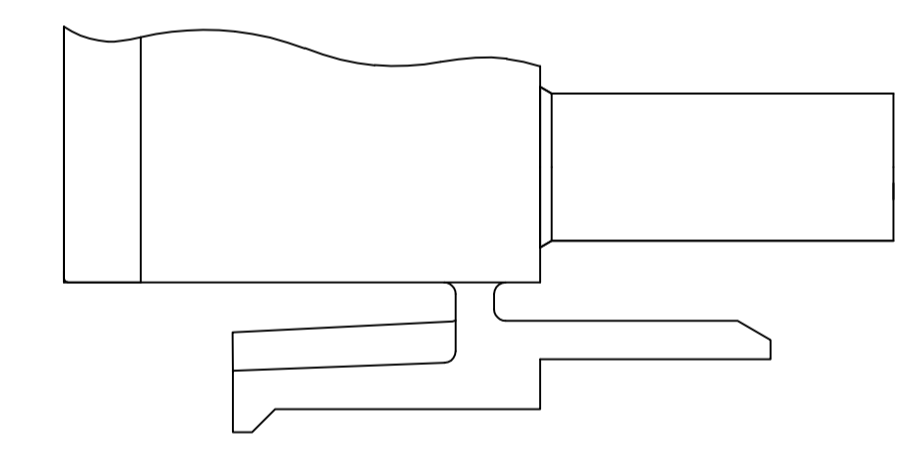
- 1 MATES WITH APPROPRIATE UNIVERSAL MATE-N-LOK CAP OR HEADER.
- 2 SMALL NICKS ARE PERMITTED ON THE CIRCUIT TOWERS WHICH COULD INCREASE THE INITIAL HOUSING MATING FORCE BY UP TO 4.4 NEWTONS [1.0 LBS]. NO INDIVIDUAL NICKED TOWER SHALL INCREASE THIS FORCE BY OVER 2.2 NEWTONS [.5 LBS].
- 3 DIMENSION INDICATED IS AS MOLDED. ADDITIONAL GROWTH DUE TO SUBSEQUENT MOISTURE ABSORPTION MAY OCCUR.
- 4 FOUR RIBS EQUALLY SPACED, NO SPECIFIC ORIENTATION. NO RIBS OR SIX RIBS EQUALLY SPACED, NO SPECIFIC ORIENTATION, OPTIONAL.
- 5 NOT MANUFACTURED IN U.S.
- 6 UNDERWRITERS RECOGNIZED COMPONENT LOGO AND CSA CERTIFICATION LOGO TO BE LOCATED ONCE EACH ON SIDE OF HOUSING.
- 7 MANUFACTURING LOCATION ID ON SIDE OF HOUSING (OPTIONAL).
- 8 TRADEMARK LOCATION (AMP OR TE CONNECTIVITY).



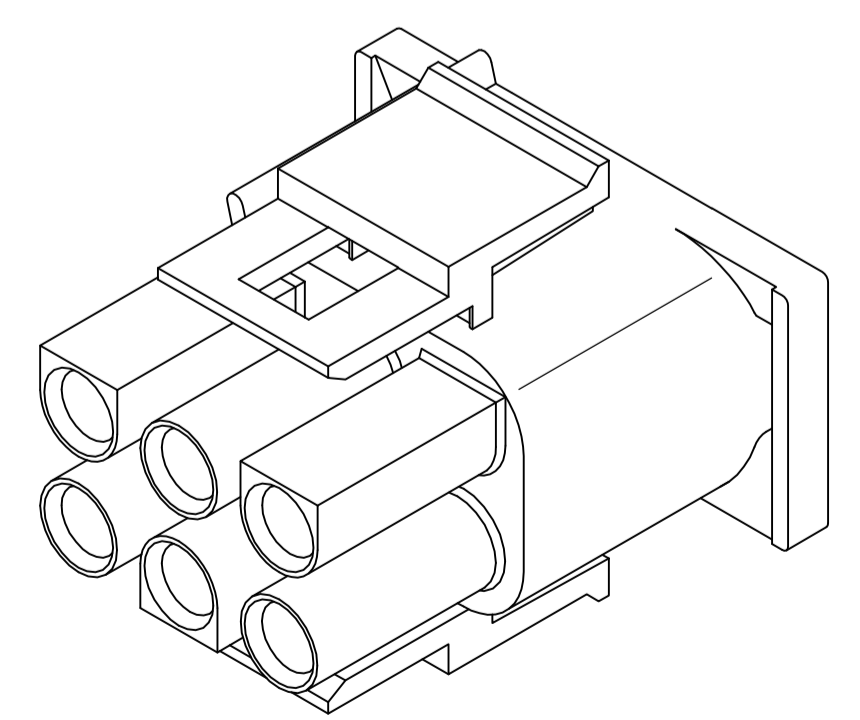
VIEW A-A
350715-4 ONLY



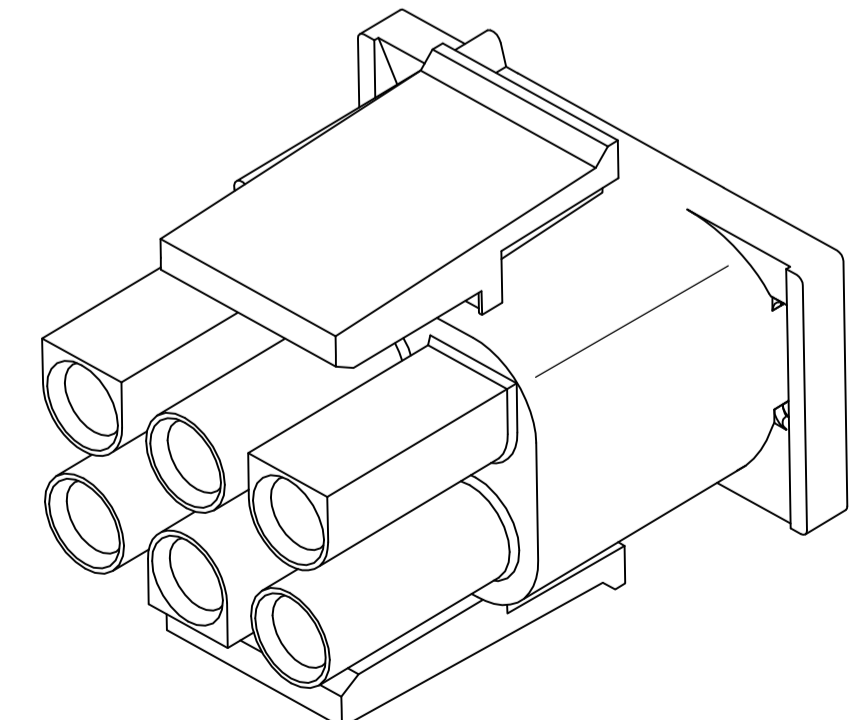
DETAIL A
OPTIONAL CONSTRUCTION



DETAIL B
350715-4 ONLY



350715-4 3-DIMENSIONAL MODEL
NTS



3-DIMENSIONAL MODEL
NTS

BLACK	1-350715-9
GRAY	1-350715-8
BLUE	1-350715-6
GREEN	1-350715-5
YELLOW	1-350715-4
ORANGE	1-350715-3
RED	1-350715-2
BROWN	1-350715-1
350715-4	
NATURAL	350715-1
COLOR	PART NUMBER

THIS DRAWING IS A CONTROLLED DOCUMENT.		DIN S. HOOVER 14APR04		TE Connectivity	
DIMENSIONS: mm [INCHES]		TOLERANCES UNLESS OTHERWISE SPECIFIED:		NAME	
0. PLC ± - 1. PLC ± - 2. PLC ± 0.13 [.005] 3. PLC ± - 4. PLC ± - ANGLES ± -		CJK S. RIDGILL 14APR04 APVD S. RIDGILL 14APR04 PRODUCT SPEC		SIZE CAGE CODE DRAWING NO A1 00779 C=350715	
MATERIAL NYLON, UL 94V-0		FINISH -		RESTRICTED TO	
CUSTOMER DRAWING		SCALE 4:1		SHEET 1 OF 1 REV Y3	