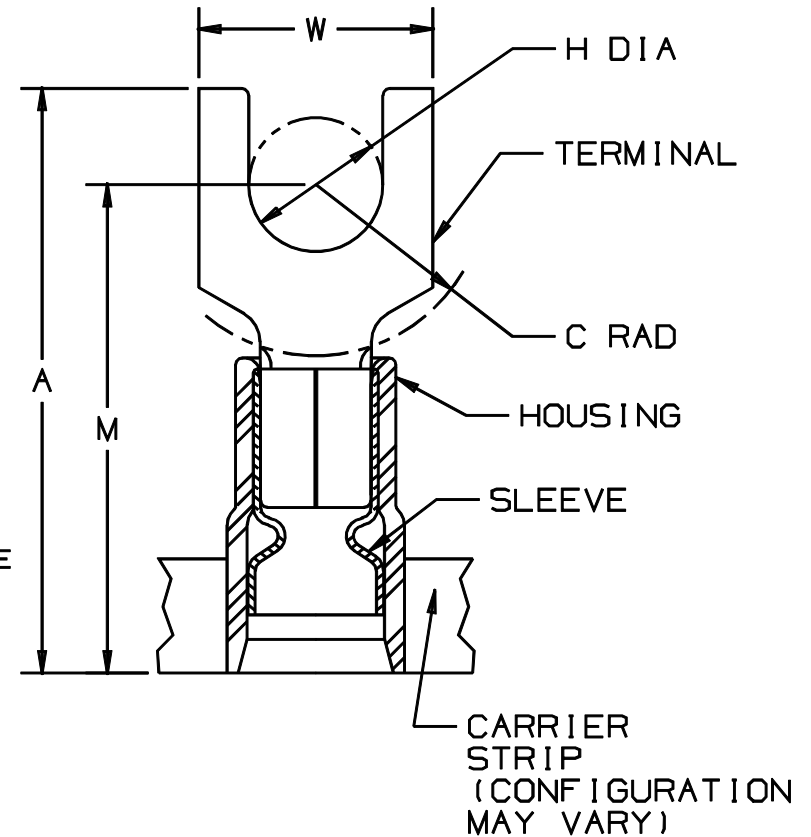


THIS COPY IS PROVIDED ON A RESTRICTED BASIS AND IS NOT TO BE USED IN ANY WAY DETRIMENTAL TO THE INTERESTS OF PANDUIT CORP.

PANDUIT PART NUMBER	STUD SIZE	DIMENSIONS in.				
		A ±.03	W ±.01	C ±.02	M ±.03	H ±.01
PNF18-6FN-3K	#6	.77 (19.6)	.24 (6.1)	.19 (4.8)	.64 (16.3)	.14 (3.6)
PNF18-6F-3K	#6	.78 (19.8)	.30 (7.6)	.19 (4.8)	.64 (16.3)	.14 (3.6)
PNF18-8F-3K	#8	.83 (21.1)	.32 (8.1)	.22 (5.6)	.67 (17.0)	.17 (4.3)
PNF18-10FN-3K	#10	.85 (21.6)	.31 (7.9)	.24 (6.1)	.69 (17.5)	.20 (5.1)
PNF18-10F-3K	#10	.85 (21.6)	.35 (8.9)	.24 (6.1)	.69 (17.5)	.20 (5.1)
PNF18-14F-3K	#14	1.02 (25.9)	.44 (11.2)	.33 (8.4)	.78 (19.8)	.27 (6.9)



NOTES:

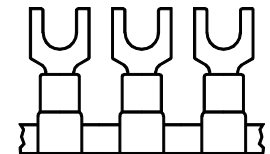
- USED FOR:
  - A. 600V MAX VOLTAGE RATING
  - B. 221°F (105°C) MAX TEMP RATING
  - C. 22-18 AWG (.5-1.5mm<sup>2</sup>) SOLID OR STRANDED COPPER WIRE
- INSTALLATION TOOLS:
  - A. PRESSES - CP-851, CP-860, CP-861
  - B. APPLICATOR - CA-800
  - C. DIE INSERTS - CD-800-1
- WIRE STRIP LENGTH: 1/4 <sup>+1/32</sup> (6.4 <sup>±.8</sup>)
- MAX WIRE INSULATION DIA: .145 (3.68)  
MIN WIRE INSULATION DIA: .090 (2.29)
- MATERIAL:
  - A. TERMINAL STAMPING: .032 (.81) THICK TIN PLATED COPPER
  - B. HOUSING : RED NYLON
  - C. SLEEVE : TIN PLATED BRASS
- PACKAGING:
  - A. BULK ONLY: -3K = 3000 PCS ON CONTINUOUS MOLDED CARRIER STRIP
- DIMENSIONS IN BRACKETS ARE IN MILLIMETERS OR mm<sup>2</sup>



LISTED  
587H  
E52164



CERTIFIED  
LR31212



A41141\_04

04	12/00	ED		FILESPEC WAS: N41141AA_PCD_03	08925				CORP.	TINLEY PARK, ILLINOIS	
03	1/97	JAMB		ADDED NOTE, "MIN WIRE INSULATION DIA."	05400						
02	10/95	BK	RLS	UPDATED DRAWING	03624	LA	KRS	TERMO 3PC, CONTINUOUSLY MOLDED NYLON (FUNNEL) INSULATED, 22-18 BARREL, FORKS			
1	3/88	GM	RLS	REDRAWN WITH REVISIONS		LA	KS				
REV	DATE	BY	CHK	DESCRIPTION	ECN	CUST	PM	DRAWN BY GRM	CHK'D LA	SCALE NONE	DRAWING NO. A41141