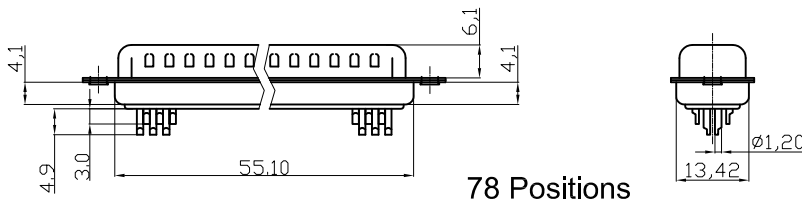
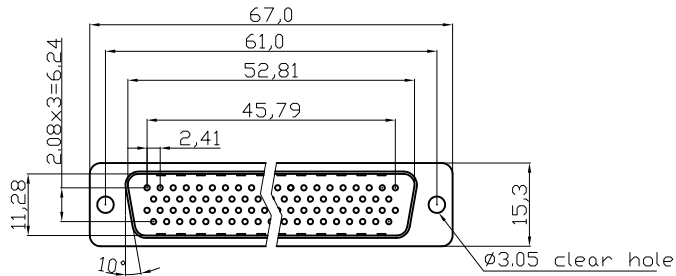
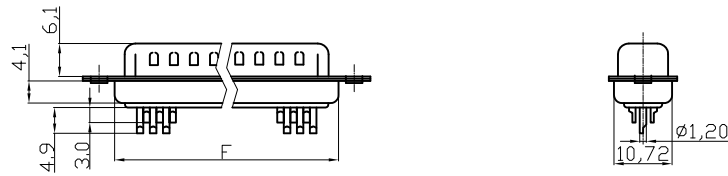
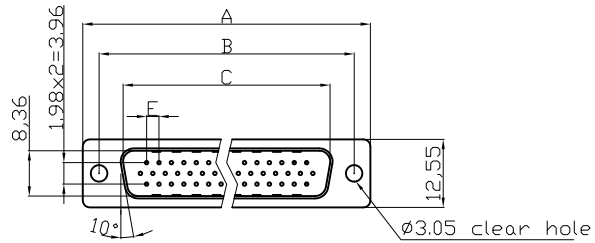


**Male**



78 Positions

**Product Specification**

**Material**

Insulator :Glass-Filled Thermoplastic PBT,UL94V-0 rated,Black  
 Contact : Copper alloy, Gold flash selective gold plating  
 Shell : Steel, 100u" Tin Over 50u" min Copper

**Electrical**

Contact Resistance :20 milliohms Max at 1 AMP DC.  
 Insulation Resistance :1000 magohms at 500 VDC  
 Dielectric Withstanding Voltage :1000 VAC/rms 60Hz for 1 minute  
 Current Rating : 3 AMP  
 Volatge Rating :250 VAC/rms 60Hz  
 Operating Temperature: -20°C ~ +85°C

**Order Code:**

A-HDx xx LL/Z

Contact style: No. of Contacts  
 F - Female 15 / 26 / 44 / 62  
 S - Male Standard: Quality class III

**Dimensions**

Positions	A	B	C	E	F
15	30.81	24.99	16.92	2.29	19.20
26	39.20	33.30	25.25	2.29	27.70
44	53.04	47.04	38.96	2.29	41.10
62	69.40	63.50	55.42	2.41	57.30

**RoHS compliant**

Unit: mm



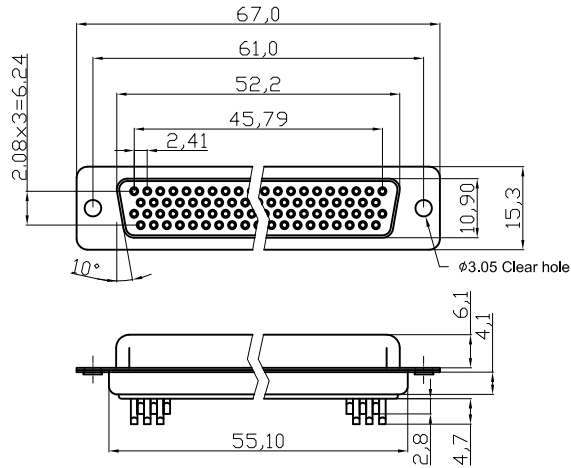
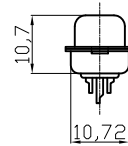
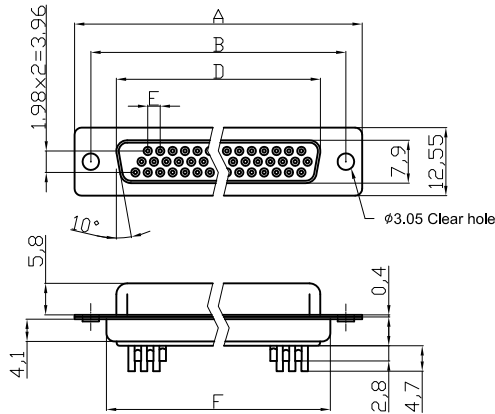
File No.: E198287

Scale	Free				Date	Name	Customer-No.
TOLERANCE				Drawn	15.08.2012	Lucas	ASSMANN WSW-No. <b>A-HDx xx LL/Z</b>
X.	±0.38			Approved	15.08.2012	Winnie	
X.X	±0.25						
X.XX	±0.13						
DIM	TOL						
X.°	±3°						Drawing-No.
X.X°	±1.0°	ⓐ	Drawn	15.08.2012	Lucas		<b>ASS 4895 CO</b>
Angle	TOL	Id.	Modification	Date	Name		rev00
							Sheet 1/2



Drawing-No.  
**ASS 4895 CO** rev00  
 Replace Sheet 1/2

**Female**



**78 Positions**

**NOTES:**

**MATERIAL**

Insulator Material: Glass-filled thermoplastic PBT, UL94V-0 rated, Black  
 Contact Material: Copper alloy, Gold flash selective gold plating  
 Shell : Steel, 100 μ" Tin Over 50μ" min Copper

**Electrical**

Contact Resistance : 20 milliohms Max at 1 AMP DC.  
 Insulation Resistance : 1000 megohms at 500 VDC  
 Dielectric Withstanding Voltage: 1000 VAC/rms 60Hz for 1 minute  
 Current Rating : 3 AMP  
 Voltage Rating : 250 VAC/rms 60Hz  
 Operating Temperature: -20°C+85°C

**Dimensions**

Positions	A	B	D	E	F
15	30.81	24.99	16.33	2.29	19.20
26	39.20	33.30	24.70	2.29	27.70
44	53.05	47.04	38.40	2.29	41.10
62	69.40	63.50	54.80	2.41	57.30

**RoHS compliant**

Unit: mm



File No.: E198287

Scale	Free				Date	Name	Customer-No.
TOLERANCE					Drawn	15.08.2012	Lucas
X.	±0.38				Approved	15.08.2012	Winnie
X.X	±0.25						
X.XX	±0.13						
DIM	TOL						
X.°	±3°						
X.X°	±1.0°	Ⓢ	Drawn	15.08.2012	Lucas		
Angle	TOL	Id.	Modification	Date	Name		



Drawing-No.		ASS 4895 CO	rev00
Replace			
Customer-No.		ASSMANN WSW-No. <b>A-HDx xx LL/Z</b>	
Sheet		2/2	

1

2

3

4

5

6

7