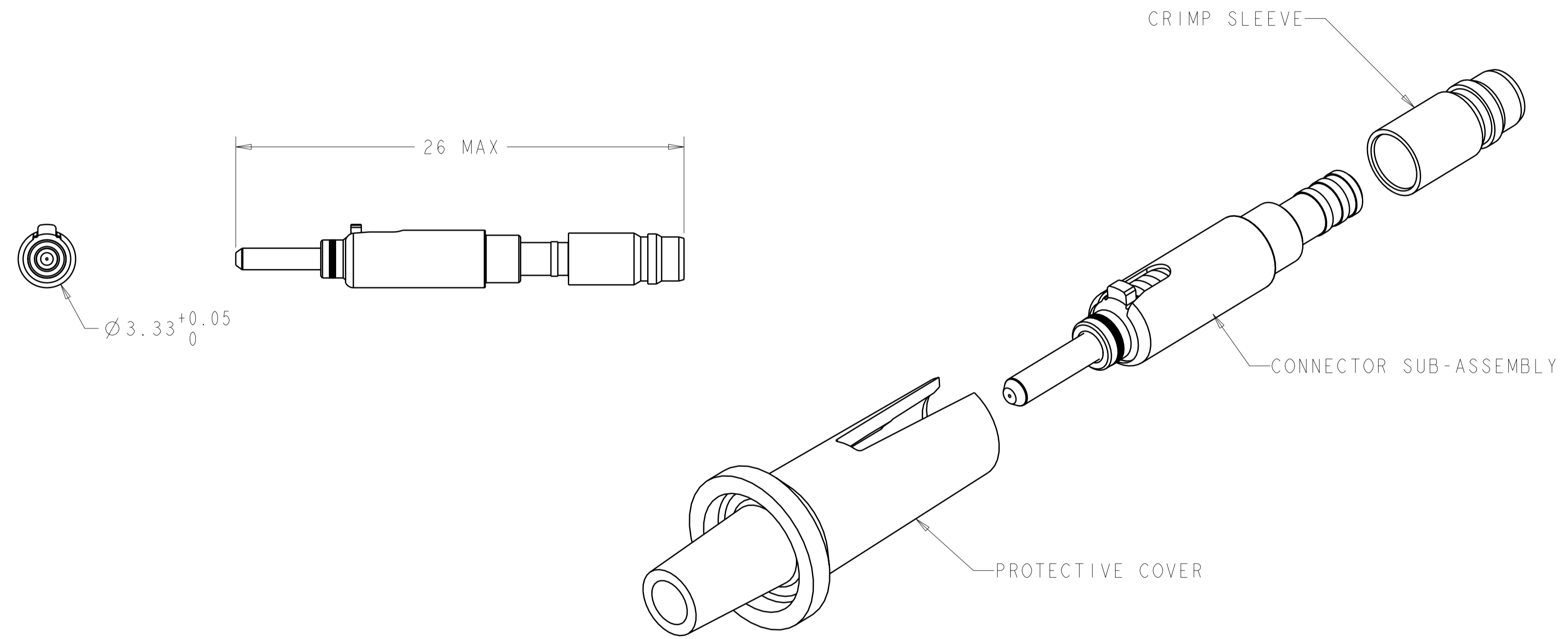


THIS DRAWING IS UNPUBLISHED. RELEASED FOR PUBLICATION 20
 © COPYRIGHT 20 BY TYCO ELECTRONICS CORPORATION. ALL RIGHTS RESERVED.

LOC	DIST	REVISIONS			
P	LTR	DESCRIPTION	DATE	DWN	APVD
CE	00	SEE SHT 2			

⚠ MATERIAL:
 PROTECTIVE COVER: POLYACETAL
 FERRULE: ZIRCONIA
 FERRULE BASE: NICKEL PLATED COPPER
 INDEXED COVER: NICKEL PLATED COPPER
 CRIMP SLEEVE: NICKEL PLATED COPPER
 SPRING: STAINLESS STEEL



1828200-1
 PART NO.

LuxCis IS A REGISTERED TRADEMARK OF RADIALL

THIS DRAWING IS A CONTROLLED DOCUMENT FOR TYCO ELECTRONICS CORPORATION. IT IS SUBJECT TO CHANGE AND THE CONTROLLING ENGINEERING ORGANIZATION SHOULD BE CONTACTED FOR THE LATEST REVISION.		DWN E. HOPKINS 21FEB2005	Tyco Electronics Harrisburg, PA 17105-3608	
DIMENSIONS: mm		CHK D. ROHDE 21FEB2005	NAME LuxCis CONNECTOR KIT, MT, MM	
TOLERANCES UNLESS OTHERWISE SPECIFIED: 0 PLC ±- 1 PLC ±- 2 PLC ±- 3 PLC ±- 4 PLC ±- ANGLES ±- FINISH		APVD B. EDWARDS 21FEB2005	SIZE A200779	DRAWING NO C-1828200
MATERIAL ⚠		PRODUCT SPEC -	RESTRICTED TO -	
		APPLICATION SPEC -	SCALE 5:1	SHEET 1 OF 2
		WEIGHT -	REV B1	
		CUSTOMER DRAWING		

THIS DRAWING IS UNPUBLISHED. RELEASED FOR PUBLICATION 20
 © COPYRIGHT 20 BY TYCO ELECTRONICS CORPORATION. ALL RIGHTS RESERVED.

LOC	DIST	REVISIONS					
CE	00	P	LTR	DESCRIPTION	DATE	DWN	APVD
		-		SEE SHEET 1			

1828200-C					STOCK DISPOSITION			
REVISION HISTORY					A: CONTINUE AS IS	D: USE OLD FIRST		
					B: REWORK	E: PARTS TO CONFORM		
					C: SCRAP	F: OTHER		
DATE	REV	CHANGES	REASON	APPROVAL	INVENTORY (A,B,C,D,E,F)	WORK IN PROCESS (A,B,C,F)	SUPPLIER ORDERS (A,E,F)	OPEN CUST ORDERS (A,E,F)
21FEB2005	1	REL PER NPR 05-212	LEGAL COMPLIANCE	D.ROHDE	A	A	A	A
03OCT2005	2	ADDED Lux Cis TRADEMARK STATEMENT	LEGAL COMPLIANCE	D. RHODE	A	A	A	A
29NOV2007	A	REL TO ECR 07-027164	ACTIVE STATUS REV A	F. ABENDSCHEIN	-	-	-	-
07DEC2007	B	REL PER ECR 07-029595	CORRECT COMPONENTS	F. ABENDSCHEIN	-	-	-	-
07APR2009	BI	CHANGED SILICON TO POLYACETAL IN NOTE 1	DRAWING ERROR	D. ROHDE	A	A	A	A

LuxCis IS A REGISTERED TRADEMARK OF RADIALL

<small>THIS DRAWING IS A CONTROLLED DOCUMENT FOR TYCO ELECTRONICS CORPORATION IT IS SUBJECT TO CHANGE AND THE CONTROLLING ENGINEERING ORGANIZATION SHOULD BE CONTACTED FOR THE LATEST REVISION.</small>		DWN <u>E. HOPKINS</u> 21FEB2005 CHK <u>D. ROHDE</u> 21FEB2005 APVD <u>B. EDWARDS</u> 21FEB2005	Tyco Electronics Harrisburg, PA 17105-3608
DIMENSIONS: mm	TOLERANCES UNLESS OTHERWISE SPECIFIED: 0 PLC ±- 1 PLC ±- 2 PLC ±- 3 PLC ±- 4 PLC ±- ANGLES ±- FINISH	PRODUCT SPEC APPLICATION SPEC WEIGHT -	NAME LuxCis CONNECTOR KIT, MT, MM SIZE A200779 CAGE CODE C-1828200 DRAWING NO 1828200 RESTRICTED TO -
MATERIAL		CUSTOMER DRAWING	SCALE 5:1 SHEET 2 OF 2 REV BI