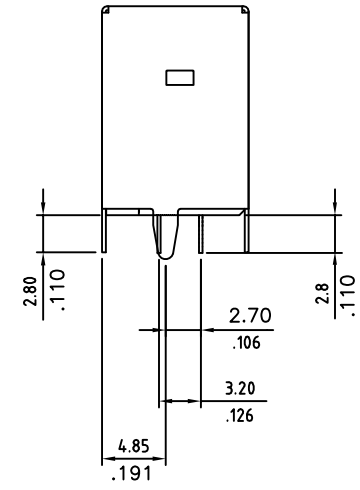
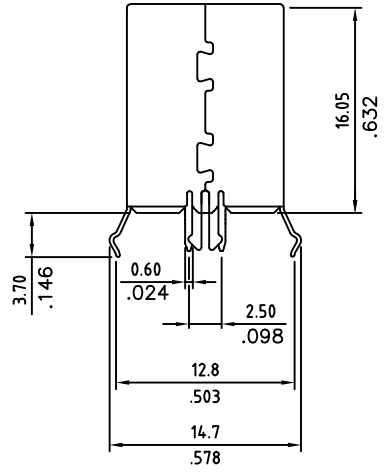


SIGN	DATE	DESCRIPTION	APPROVER
△	2012.04.09	Dimension added	Sun
△	2012.10.03	USB 2.0 detail added	SHIN



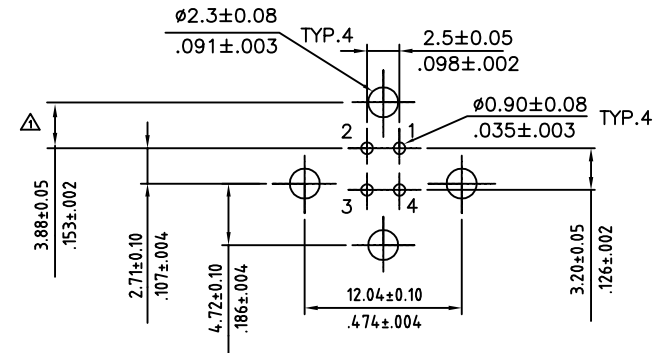
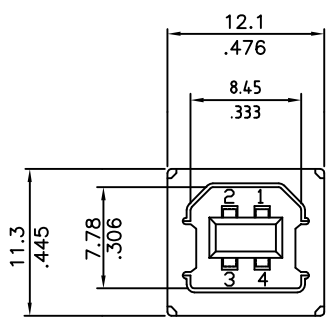
Material

- Insulator: PBT+30% G.F.
- Flammability: UL94V-0
- Contact: Phosphor Bronze
- Shell: Brass
- Shell Plating: 80u" Nickel over 50u" Copper
- Packaging: Tray

Ratings

- Current: 1A
- Voltage: 30V AC(r.m.s.)
- Contact Resistance: <30mΩ
- Insulation Resistance: >1000 MΩ
- Dielectric Withstanding Voltage: 750V AC
- Operating Temperature: 0°C - +40°C
- Storage Temperature: -40°C - +60°C

RoHS Compliant



Recommended P.C. Board Layout

PART NUMBER:

USB-B1KSXX

PLATING: △
 6: Selective Au Flash/50u" Ni
 8: Selective 30u" Au/50u" Ni (USB 2.0)

Color
 W - white
 B - black



THESE DRAWINGS AND SPECIFICATIONS ARE THE PROPERTY OF ON-SHORE TECHNOLOGY, INC. AND SHALL NOT BE REPRODUCED, COPIED OR USED IN ANY MANNER WITHOUT THE PRIOR WRITTEN CONSENT OF ON-SHORE TECHNOLOGY, INC.

TITLE		USB B1KS Series - Board Mount- B Type, board lock, vertical			
PART NO.	USB-B1KSXX	DWG NO.	USB-B1KSXX.DWG		
APPROVED	CHECKED	DESIGNED	DRAWN	4050	
Stephen 2006.08.29	Marvin 2006.08.29	Sun 2006.08.29	Lee 2006.08.22	Tolerance	
				UNIT: mm/inches	X.* ±1°
				SCALE: NONE	X.XX ±0.30/.012
				REVISION: A	X.XXX ±0.20/.008
				SHEET: 01/01	X.XXX ±0.10/.004