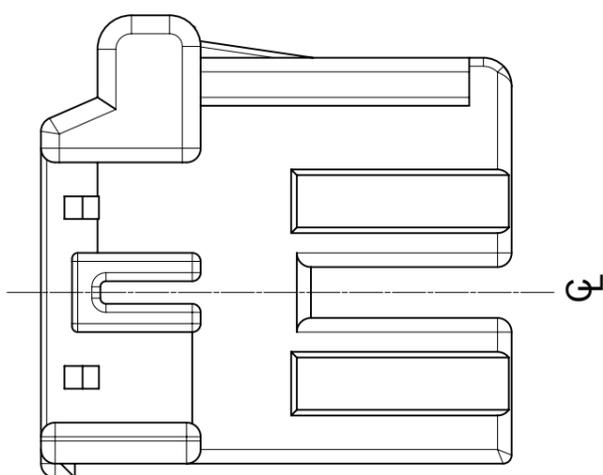
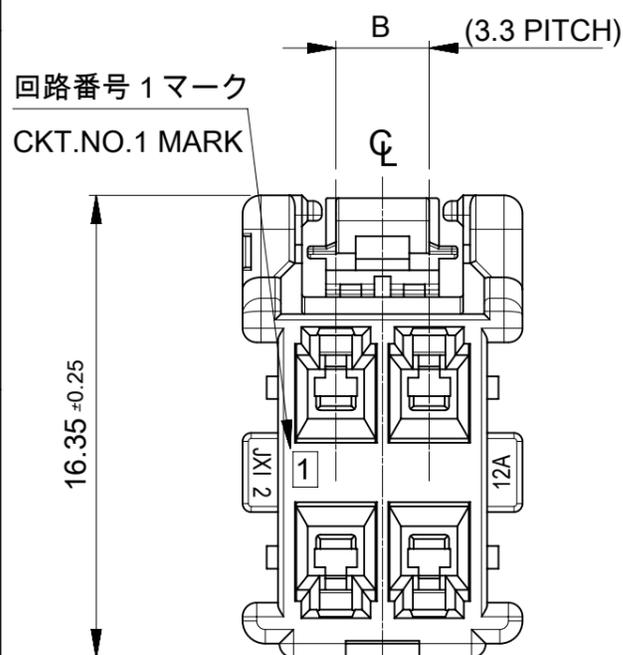
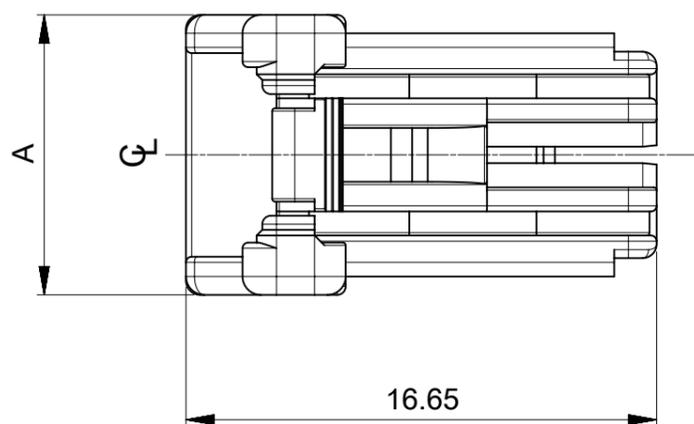
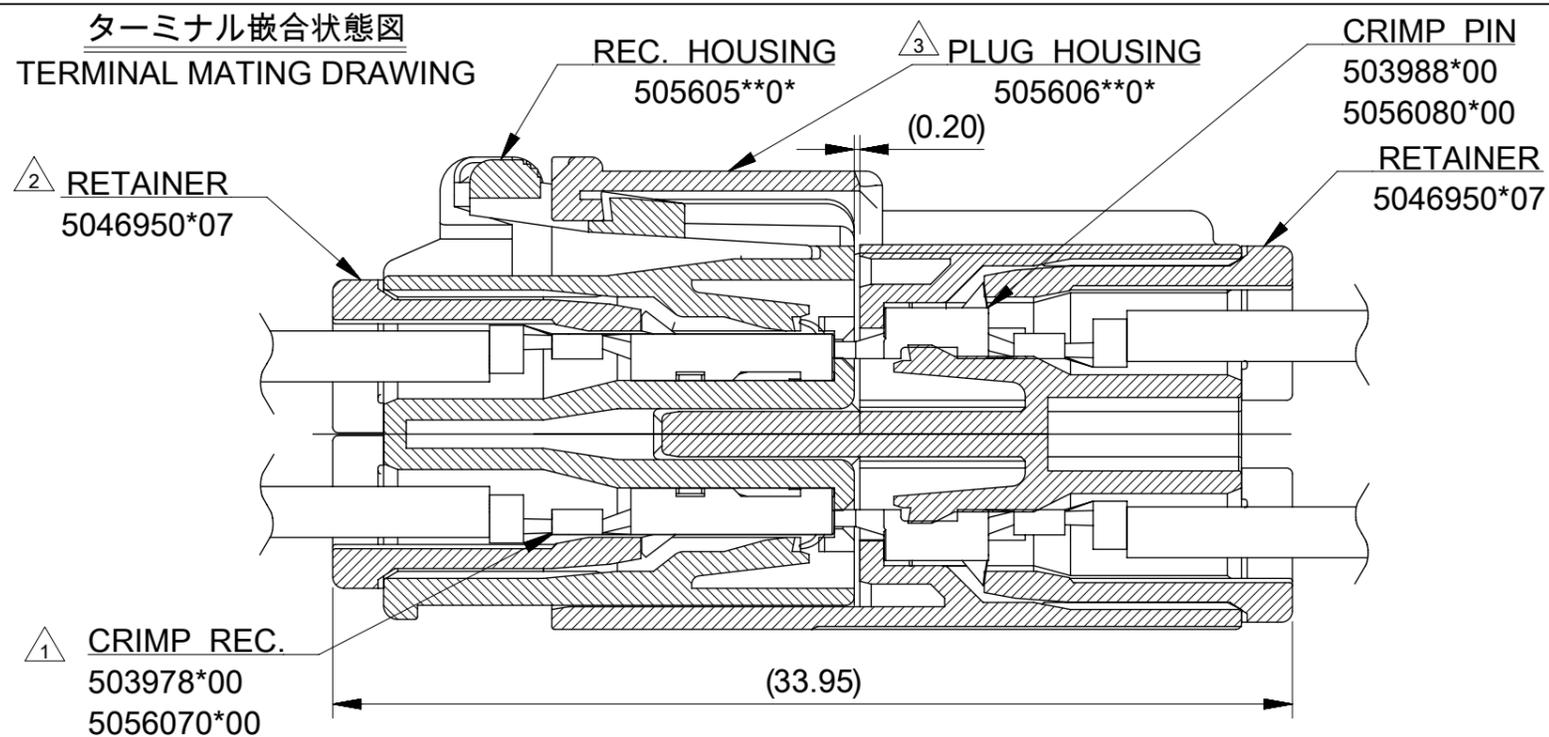


SHAPE OF 4CKTS



ターミナル嵌合状態図
TERMINAL MATING DRAWING



注記
NOTES

- ① 適合ターミナル : 50397,505607 シリーズ
APPLICABLE TERMINAL : 50397,505607 SERIES
- ② 適合リテーナー : 504695 シリーズ
APPLICABLE RETAINER : 504695 SERIES
- ③ 嵌合相手 : 505606 シリーズ
MATE WITH : 505606 SERIES
- 4. 材質 : POLYESTER(PBT),UL94V-0
MATERIAL : POLYESTER(PBT),UL94V-0
- 5. MATERIAL NO. は以下の内容を示す。
MATERIAL No. : 505605**0*
極数 CKT. | 色 COLOR
0:自然色 NATURAL
1:黒 BLACK
2:赤 RED
3:黄 YELLOW

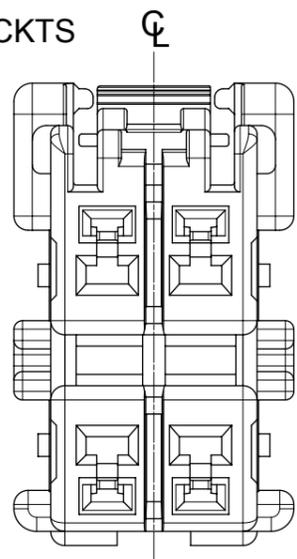
16.5	23.1	12	505605120*	505605**0*
13.2	19.8	10	505605100*	
9.9	16.5	8	505605080*	
6.6	13.2	6	505605060*	
3.3	9.9	4	505605040*	
(B)	A	極数 CKT.	BAG PACKAGE	MODEL NO.
			オーダー番号 ORDER NO.	

THIS DRAWING CONTAINS INFORMATION THAT IS PROPRIETARY TO MOLEX ELECTRONIC TECHNOLOGIES, LLC AND SHOULD NOT BE USED WITHOUT WRITTEN PERMISSION

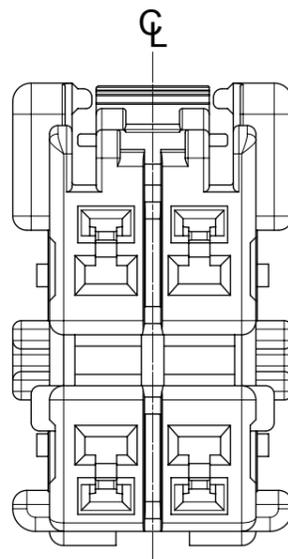
EC NO: 168281 DRWN: NITO CHK'D: SAKIYAMA APPR: TKANEKO	2017/11/21	2017/11/22	GENERAL TOLERANCES (UNLESS SPECIFIED) ANGULAR TOL ± 3.0 ° 4 PLACES ± 0.2 3 PLACES ± 0.2 2 PLACES ± 0.2 1 PLACE ± 0.2 0 PLACES ± 0.2 DRAFT WHERE APPLICABLE MUST REMAIN WITHIN DIMENSIONS	DIMENSION UNITS	SCALE				
	2017/11/21	2017/11/22		mm	4:1				
	DRWN BY	DATE		KOMORI	2016/11/02				
	CHK'D BY	DATE		SAKIYAMA	2017/02/08				
2017/11/21	2017/11/22	2017/11/22		APPR BY	DATE	TKANEKO	2017/02/08		
REV				DRAWING SIZE	THIRD ANGLE PROJECTION	A3			
RELEASE STATUS		P1	RELEASE DATE	22.11.2017	10:02:10	SERIES: 505605 MATERIAL NUMBER: 5056050000 CUSTOMER: GENERAL			
						DOCUMENT NUMBER	DOC TYPE	DOC PART	SHEET NUMBER
						5056050000	PSD	000	1 OF 2

MATING
KEY TYPE & COLOR

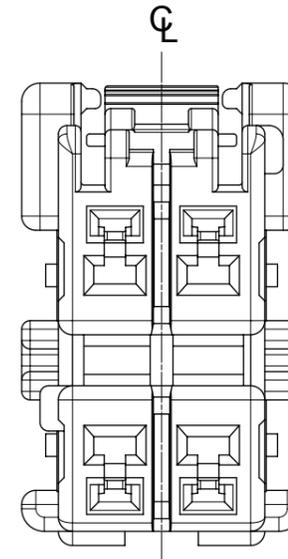
REFERENCE 4 CKTS



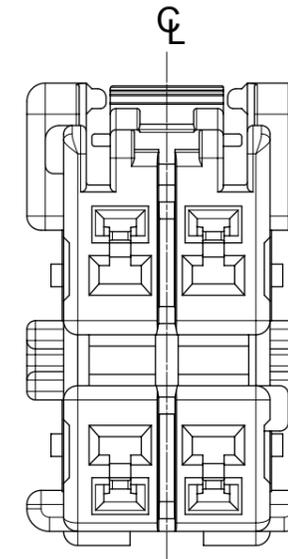
KEY TYPE : 1 COLOR : NATURAL
MATERIAL NO. : 5056050400



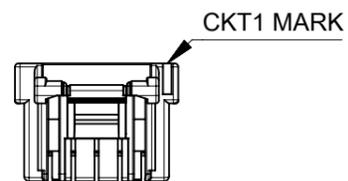
KEY TYPE : 2 COLOR : BLACK
MATERIAL NO. : 5056050401



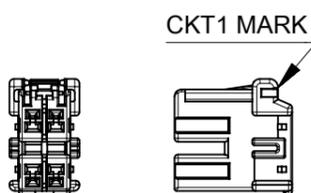
KEY TYPE : 3 COLOR : RED
MATERIAL NO. : 5056050402



KEY TYPE : 4 COLOR : YELLOW
MATERIAL NO. : 5056050403



VIEW OF CKT.10,12
(SCALE 1:1)



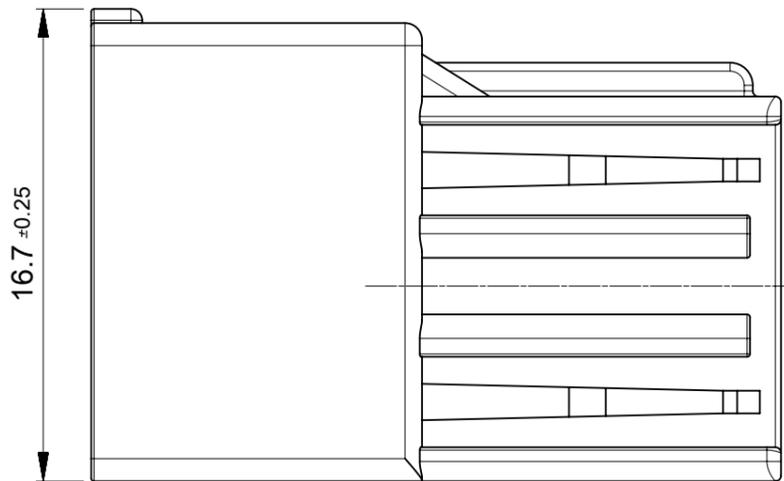
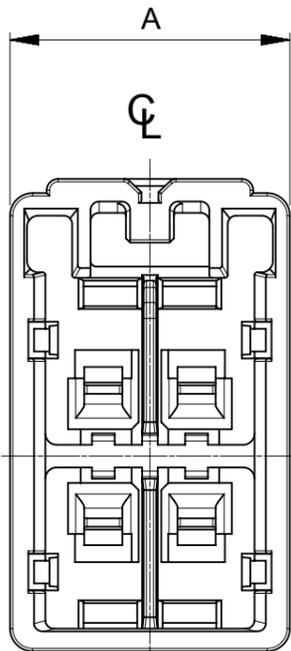
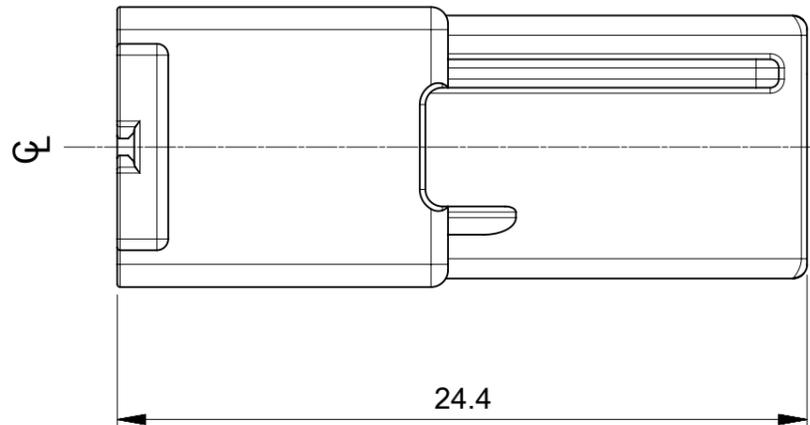
VIEW OF CKT.4,6,8
(SCALE 1:1)

505606120*	5046950607	12	5056051203	5056051202	5056051201	5056051200
505606100*	5046950507	10	5056051003	5056051002	5056051001	5056051000
505606080*	5046950407	8	5056050803	5056050802	5056050801	5056050800
505606060*	5046950307	6	5056050603	5056050602	5056050601	5056050600
505606040*	5046950207	4	5056050403	5056050402	5056050401	5056050400
MATE WITH	CONFORTABLE-RETAINER	極数 CKT.	YELLOW	RED	BLACK	NATURAL
			BAG PACKAGE			
			オーダー番号 ORDER NO.			

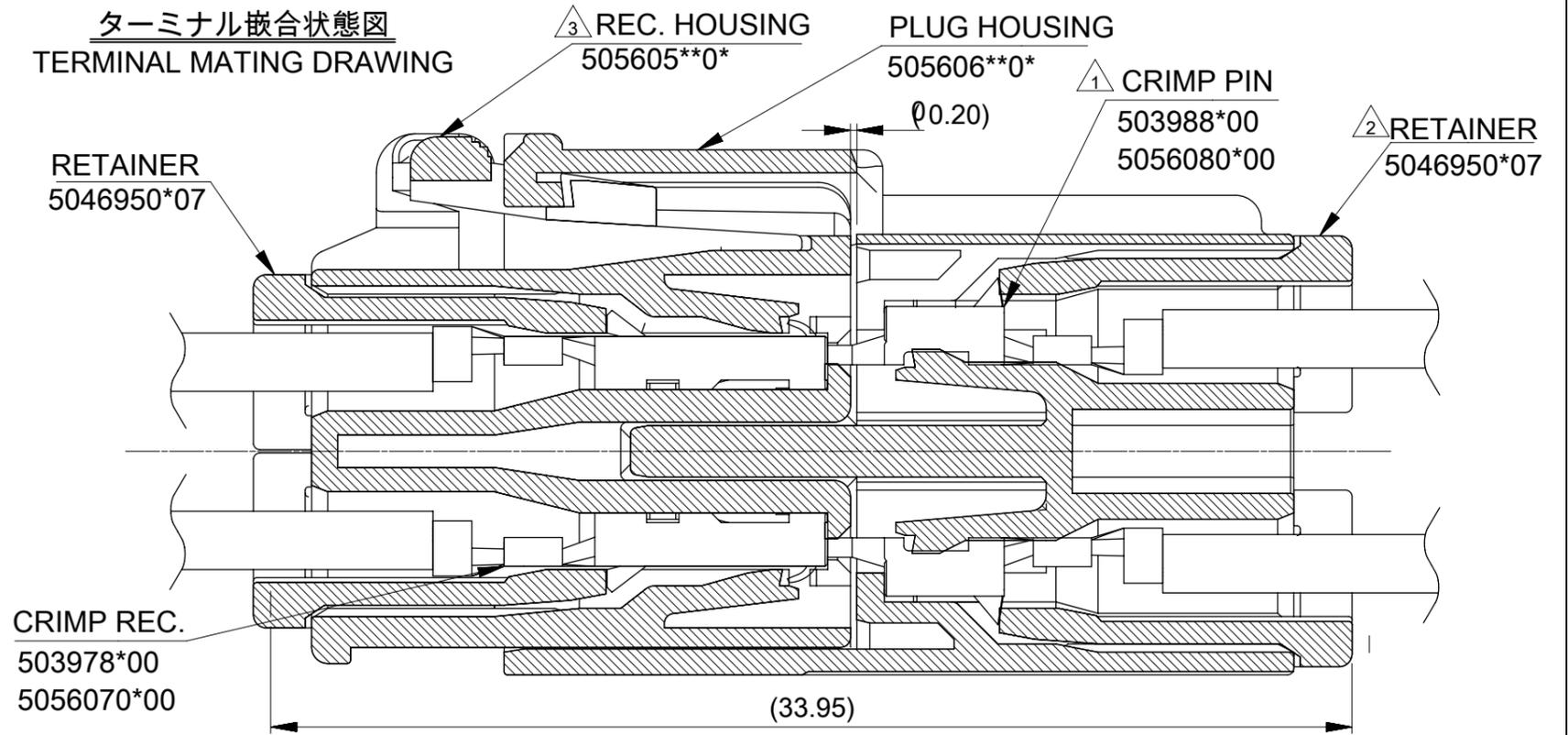
THIS DRAWING CONTAINS INFORMATION THAT IS PROPRIETARY TO MOLEX ELECTRONIC TECHNOLOGIES, LLC AND SHOULD NOT BE USED WITHOUT WRITTEN PERMISSION

EC NO: 168281 DRWN: NITO CHK'D: SAKIYAMA APPR: TKANEKO	2017/11/21	GENERAL TOLERANCES (UNLESS SPECIFIED)	DIMENSION UNITS	SCALE		
	2017/11/22		mm	4:1		
	2017/11/22		ANGULAR TOL ± 3.0 °	DRWN BY		DATE
			4 PLACES ± 0.2	KOMORI		2016/11/02
	3 PLACES ± 0.2	CHK'D BY	DATE			
	2 PLACES ± 0.2	SAKIYAMA	2017/02/08			
	1 PLACE ± 0.2	APPR BY	DATE			
	0 PLACES ± 0.2	TKANEKO	2017/02/08			
	DRAFT WHERE APPLICABLE MUST REMAIN WITHIN DIMENSIONS	DRAWING SIZE	THIRD ANGLE PROJECTION			
		A3				
				SERIES	MATERIAL NUMBER	
				505605	5056050000	
				CUSTOMER	GENERAL	
				DOCUMENT NUMBER	DOC TYPE	
				5056050000	PSD	
				DOC PART	SHEET NUMBER	
				000	2 OF 2	

SHAPE OF 4CKTS



ターミナル嵌合状態図
TERMINAL MATING DRAWING

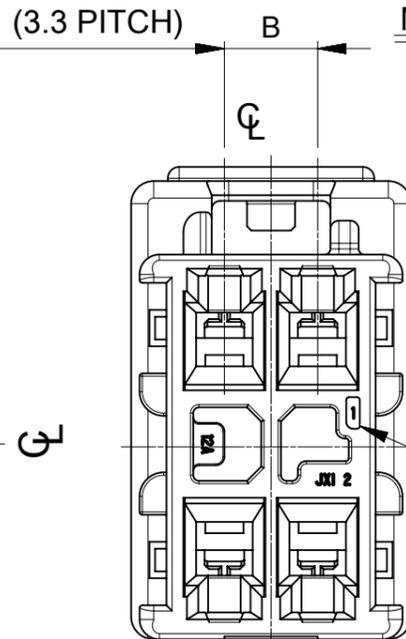


注記
NOTES

- ① 適合ターミナル:50398,505608 シリーズ。
APPLICABLE TERMINAL: 50398,505608 SERIES.
- ② 適合リテーナー : 504695 シリーズ。
APPLICABLE RETAINER:504695 SERIES.
- ③ 嵌合相手:505605 シリーズ。
MATE WITH : 505605 SERIES.
- 4. 材質 : POLYESTER(PBT),UL94V-0
MATERIAL:POLYESTER(PBT),UL94V-0

5. MATERIAL NO. は以下の内容を示す。
MATERIAL NO.

505606 **0*	色	
極数	色	
CKT	0. 自然色	NATURAL
	1. 黒	BLACK
	2. 赤	RED
	3. 黄	YELLOW



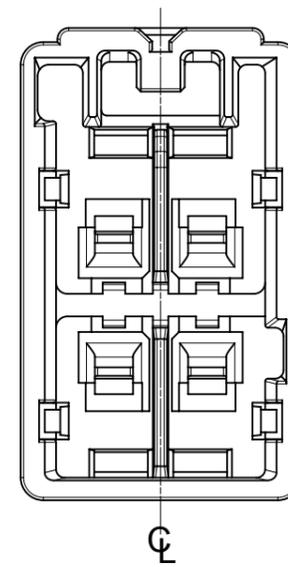
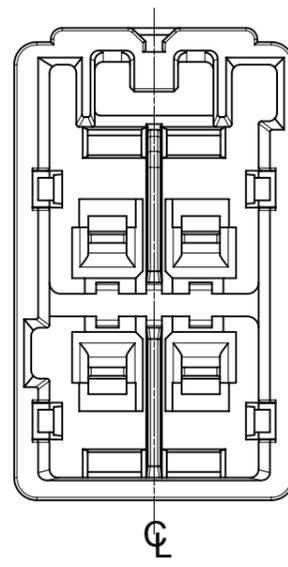
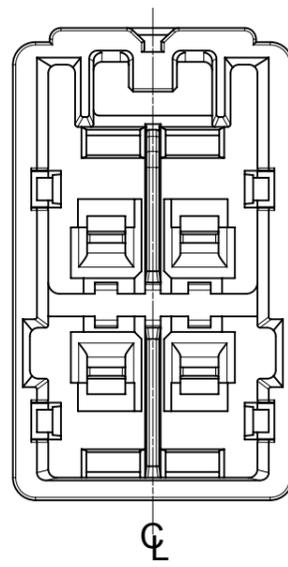
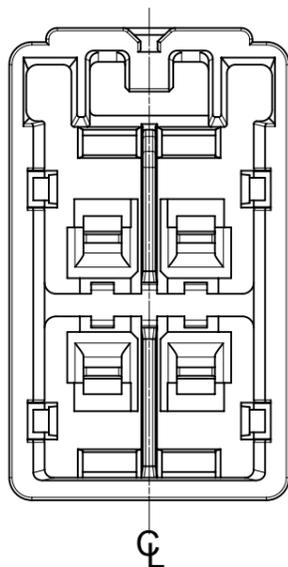
16.5	23.1	12	505606120*	505606**0*
13.2	19.8	10	505606100*	
9.9	16.5	8	505606080*	
6.6	13.2	6	505606060*	
3.3	9.9	4	505606040*	
(B)	A	極数 CKT.	BAG PACKAGE	MODEL NO.
			オーダー番号	ORDER NO.

THIS DRAWING CONTAINS INFORMATION THAT IS PROPRIETARY TO MOLEX ELECTRONIC TECHNOLOGIES, LLC AND SHOULD NOT BE USED WITHOUT WRITTEN PERMISSION

EC NO: 168281 DRWN: NITO CHK'D: SAKIYAMA APPR: TKANEKO	2017/11/21	DRWN	GENERAL TOLERANCES (UNLESS SPECIFIED)	DIMENSION UNITS	SCALE		
	2017/11/22	CHK'D		mm	4:1		
	2017/11/22	APPR		ANGULAR TOL ± 3.0 °	DRWN BY		DATE
				4 PLACES ± 0.2	QHE31		2016/11/01
			3 PLACES ± 0.2	CHK'D BY	DATE	CP 3.3 W/W DUAL ROW PLUG HOUSING	
			2 PLACES ± 0.2	SAKIYAMA	2017/02/08		
			1 PLACE ± 0.2	TKANEKO	2017/02/08		
			0 PLACES ± 0.2	APPR BY	DATE	PRODUCT CUSTOMER DRAWING	
			DRAFT WHERE APPLICABLE MUST REMAIN WITHIN DIMENSIONS	DRAWING SIZE	THIRD ANGLE PROJECTION	SERIES	
				A3		505606	
						MATERIAL NUMBER	
						5056060000	
						CUSTOMER	
						GENERAL	
						DOCUMENT NUMBER	
						5056060000	
						DOC TYPE	
						PSD	
						DOC PART	
						000	
						SHEET NUMBER	
						1 OF 2	

MATING
KEY TYPE & COLOR

REFERENCE 4 CKTS



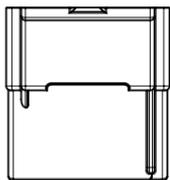
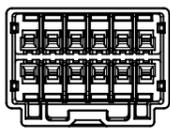
KEY TYPE : 1 COLOR : NATURAL
MATERIAL NO. : 5056060400

KEY TYPE : 2 COLOR : BLACK
MATERIAL NO. : 5056060401

KEY TYPE : 3 COLOR : RED
MATERIAL NO. : 5056060402

KEY TYPE : 4 COLOR : YELLOW
MATERIAL NO. : 5056060403

505605120*	5046950607	12	5056061203	5056061202	5056061201	5056061200
505605100*	5046950507	10	5056061003	5056061002	5056061001	5056061000
505605080*	5046950407	8	5056060803	5056060802	5056060801	5056060800
505605060*	5046950307	6	5056060603	5056060602	5056060601	5056060600
505605040*	5046950207	4	5056060403	5056060402	5056060401	5056060400
MATE WITH	CONFORTABLE-RETAINER	極数 CKT.	YELLOW	RED	BLACK	NATURAL
			BAG PACKAGE			
			オーダー番号 ORDER NO.			



CKT1 MARK

VIEW OF 4,6,8,10,12CKTS
(SCALE 1:1)

THIS DRAWING CONTAINS INFORMATION THAT IS PROPRIETARY TO MOLEX ELECTRONIC TECHNOLOGIES, LLC AND SHOULD NOT BE USED WITHOUT WRITTEN PERMISSION

EC NO: 168281 DRWN: NITO CHK'D: SAKIYAMA APPR: TKANEKO	2017/11/21	GENERAL TOLERANCES (UNLESS SPECIFIED)	DIMENSION UNITS	SCALE					
	2017/11/22		mm	4:1					
	2017/11/22		DRWN BY	DATE		CP 3.3 W/W DUAL ROW PLUG HOUSING			
			QHE31	2016/11/01					
		ANGULAR TOL ± 3.0 °	CHK'D BY	DATE	PRODUCT CUSTOMER DRAWING				
		4 PLACES ± 0.2	SAKIYAMA	2017/02/08	SERIES	MATERIAL NUMBER	CUSTOMER		
		3 PLACES ± 0.2	TKANEKO	2017/02/08	505606	5056060000	GENERAL		
		2 PLACES ± 0.2	DRAFT WHERE APPLICABLE MUST REMAIN WITHIN DIMENSIONS	DRAWING SIZE	THIRD ANGLE PROJECTION	DOCUMENT NUMBER	DOC TYPE	DOC PART	SHEET NUMBER
		1 PLACE ± 0.2	A3	A3	Third Angle Projection Symbol	5056060000	PSD	000	2 OF 2
		0 PLACES ± 0.2							