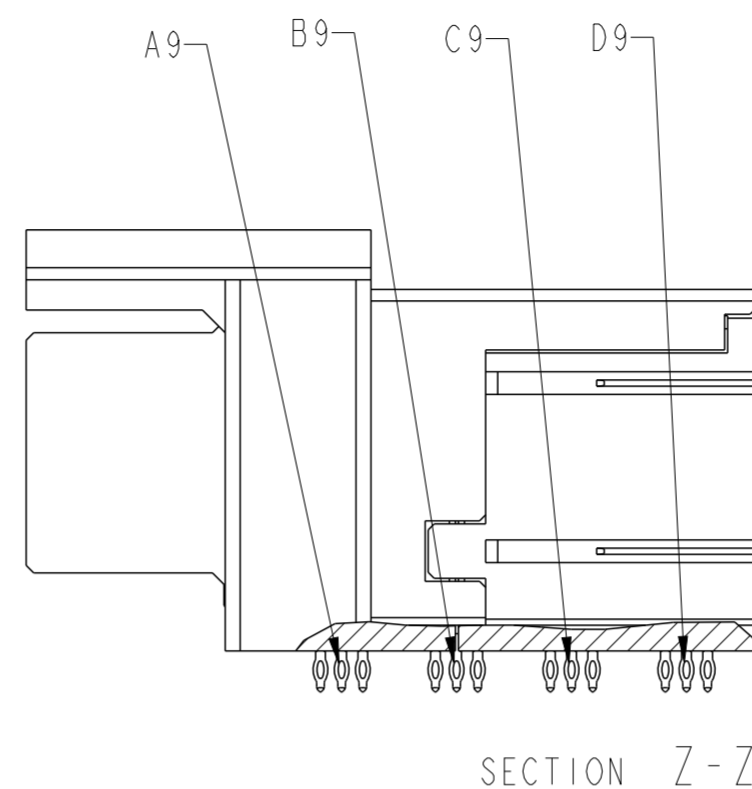
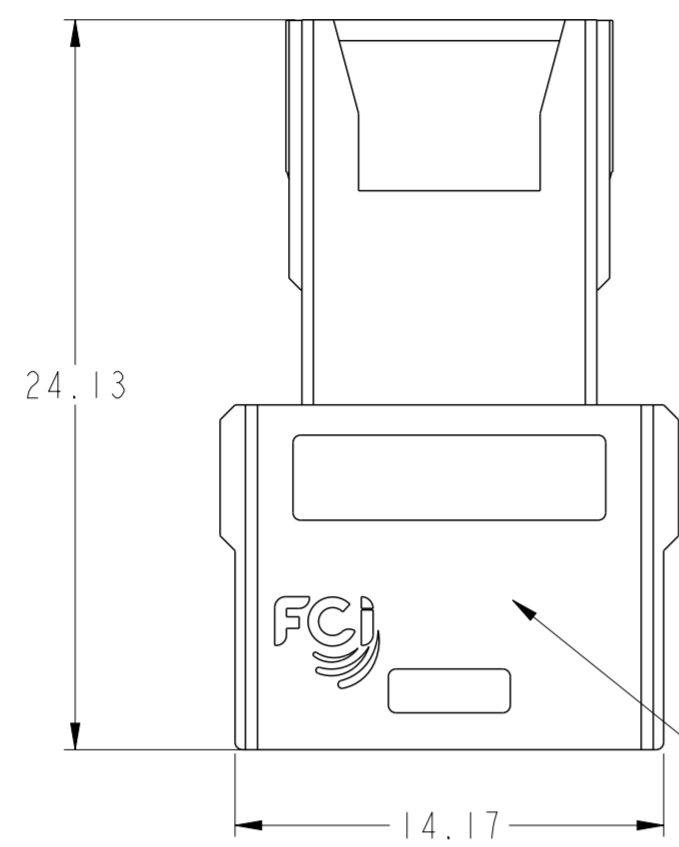
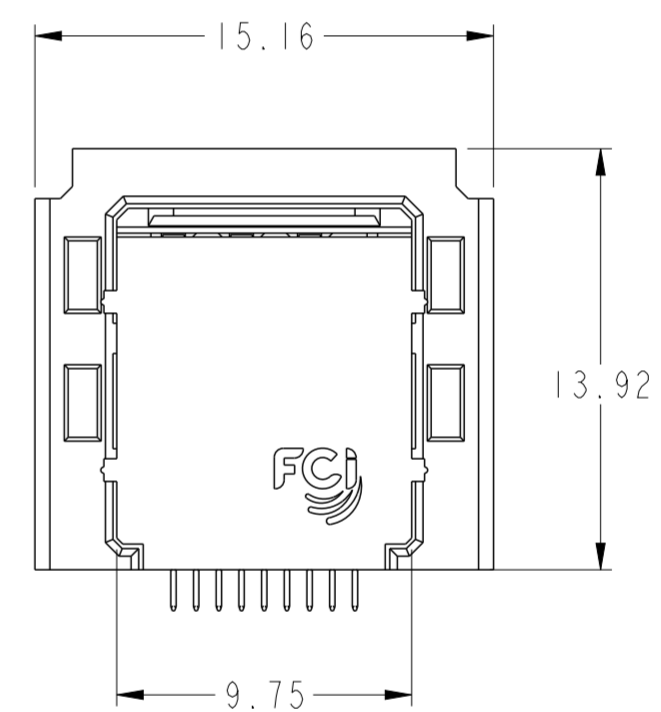
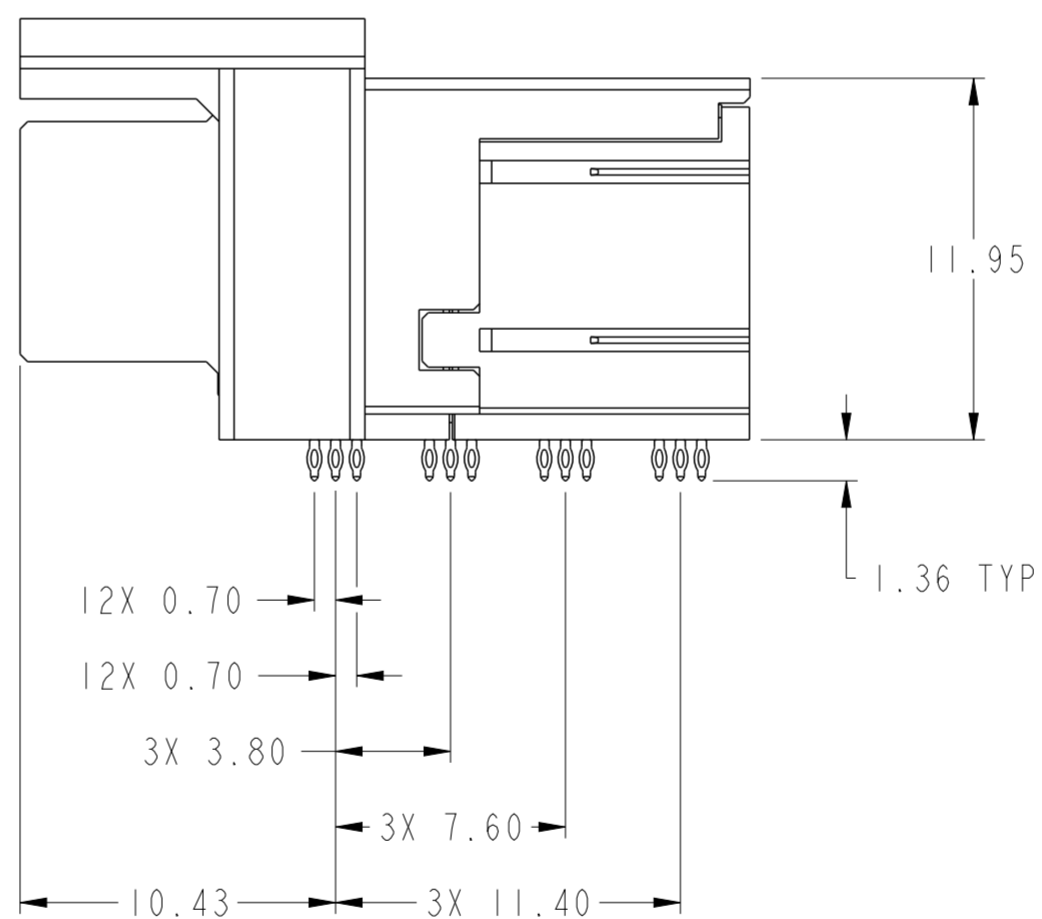
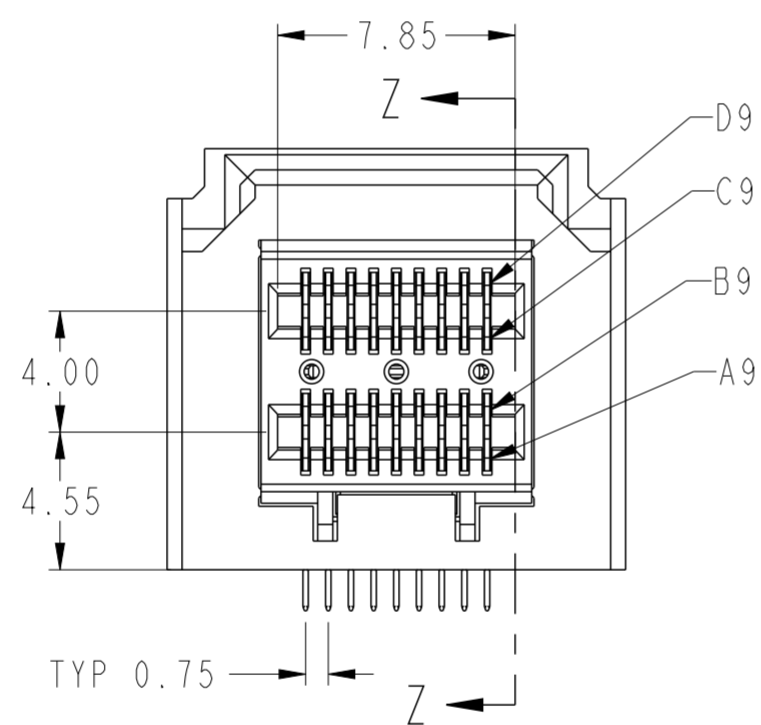


PRODUCT NUMBER	PLATING OPT.	HSG&FRAME COLOR
10112632-101	OPTION 1	BLACK
10112632-101LF	OPTION 2	BLACK
10112632-121	OPTION 1	NATURAL
10112632-121LF	OPTION 2	NATURAL



FCI P/N AND DATE CODE \triangle ON THIS SURFACE



NOTES:

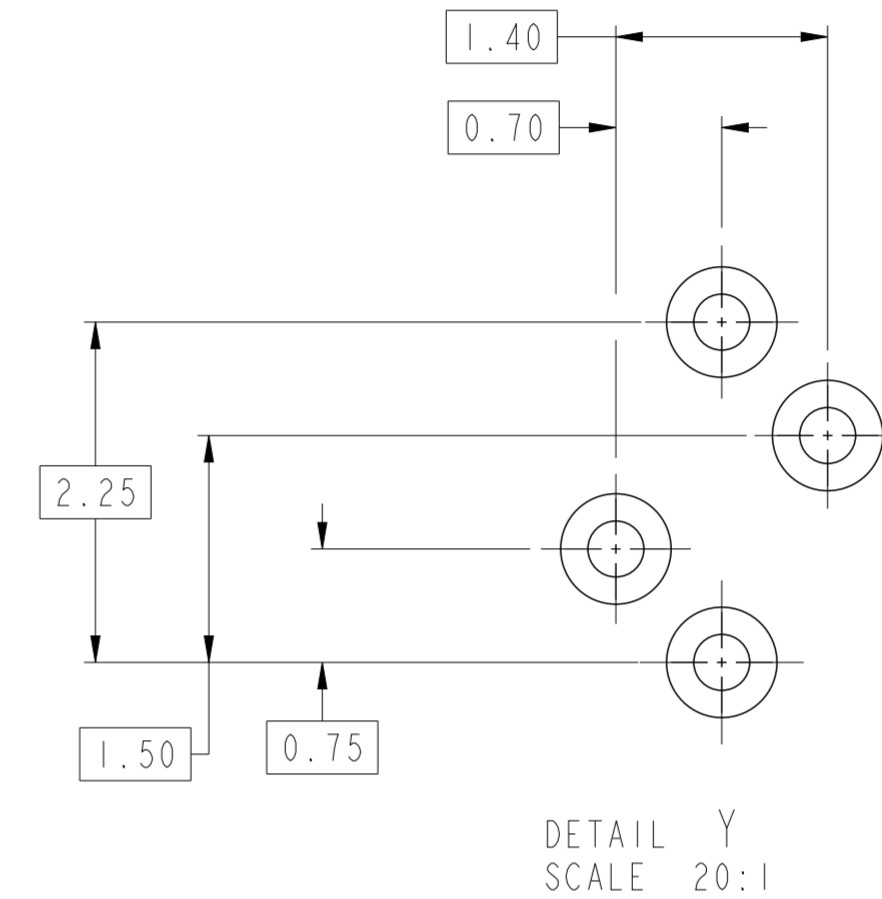
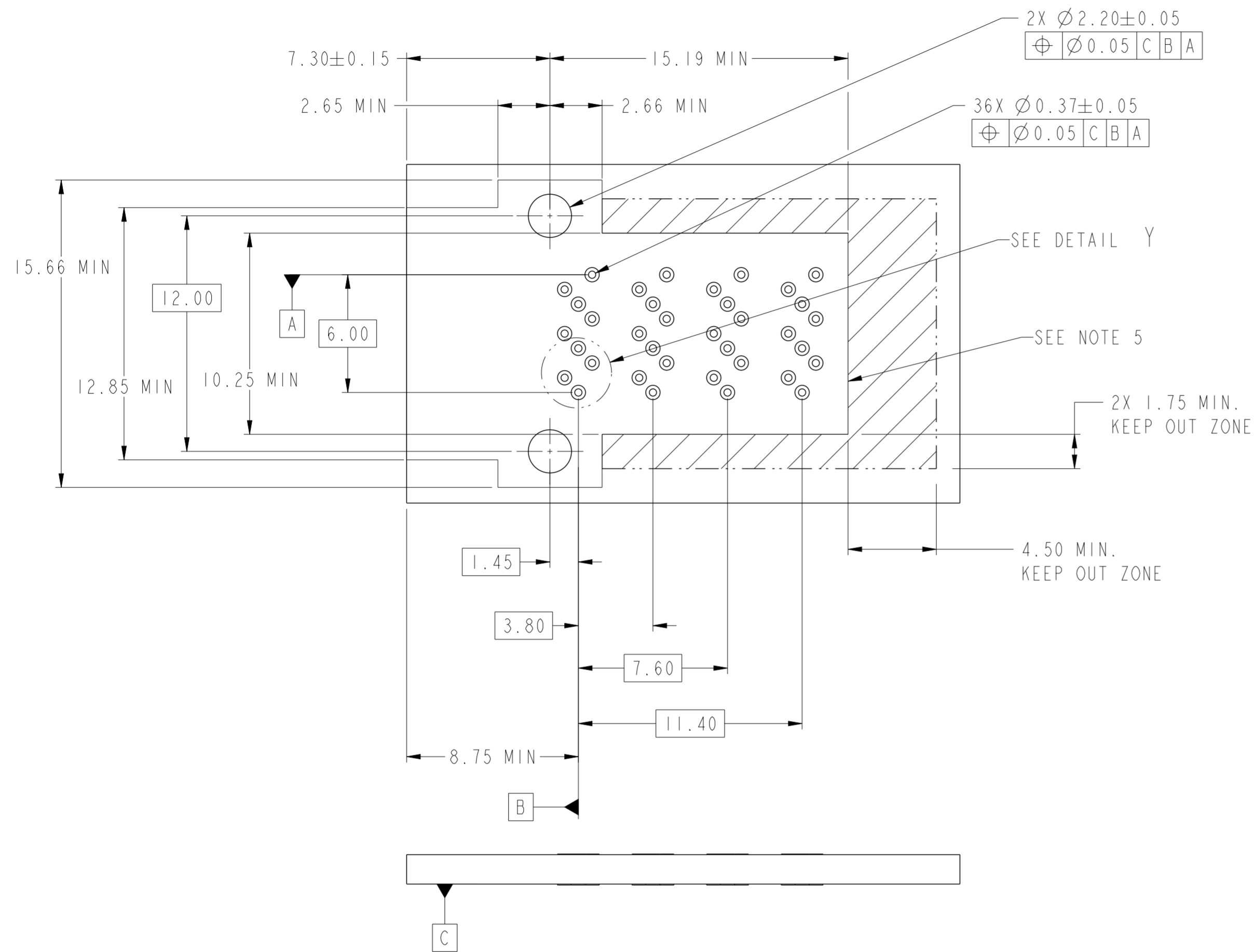
- MATERIALS:
CONNECTOR HOUSING: HIGH TEMPERATURE THERMOPLASTIC, GLASS FILLED, UL 94V-0
TERMINALS: COPPER ALLOY
- FINISHES:
CONTACT AREA: 0.76 μ m GOLD OVER 2.54 μ m MIN NICKEL
TAIL AREA:
OPTION 1: 0.76 μ m - 1.52 μ m TIN/LEAD (90/10) OVER 2.54 μ m MIN NICKEL.
OPTION 2: 0.76 μ m - 1.52 μ m TIN (LEAD FREE) OVER 2.54 μ m MIN NICKEL.
- PRODUCT SPECIFICATION: GS-12-650.
APPLICATION SPECIFICATION: GS-20-0356
PACKAGING SPECIFICATION: GS-14-1490
- RECOMMENDED MOUNTING HARDWARE:
 \triangle OPTION 1: M2 X 0.91mm SELF-THREADING SCREW
OPTION 2: M2 X 0.80mm SELF-THREADING SCREW
OPTION 3: M2 X 0.40mm SELF-THREADING SCREW
RECOMMENDED MOUNTING SCREW LENGTH: PCB THICKNESS + (2.5 \pm 0.35)mm \triangle
- THIS CONNECTOR IS DESIGNED TO MEET THE REQUIREMENTS OF INDUSTRY SPECIFICATION SFF-8643.
- A \triangle SYMBOL WILL BE NEXT TO ANY DIMENSION, VIEW, OR NOTE THAT HAS BEEN MODIFIED WITH THE CURRENT DRAWING REVISION.

MATES WITH MINI-SAS HD ENDS IN:
10119217 SERIES (4i)
10119312 SERIES (4i)
10120086 SERIES (4i)
10120087 SERIES (4i)

spec ref	-	dr	Mark Gray	2010/08/04	projection	MM	size	A2	scale	4:1												
tolerance std	ASME Y14.5	eng	Jacklin Zou	2015/12/09			ecn no	ELX-DG-17937-1	rel level	Released												
	TOLERANCES UNLESS OTHERWISE SPECIFIED	chr	Zhen Luo	2015/12/22																		
surface	<table border="1"> <tr> <td>linear</td> <td>0.X</td> <td>\pm0.25</td> </tr> <tr> <td></td> <td>0.XX</td> <td>\pm0.15</td> </tr> <tr> <td></td> <td>0.XXX</td> <td>\pm</td> </tr> <tr> <td>angular</td> <td>0°</td> <td>\pm1/2°</td> </tr> </table>	linear	0.X	\pm 0.25		0.XX	\pm 0.15		0.XXX	\pm	angular	0°	\pm 1/2°	appr	Pei-Ming Zheng	2015/12/23	product family	MINI-SAS HD	rel level	Released	rev	C
linear	0.X	\pm 0.25																				
	0.XX	\pm 0.15																				
	0.XXX	\pm																				
angular	0°	\pm 1/2°																				
ASME Y14.5		www.fci.com	cat. no.	-	Product - Customer Drw	sheet 1 of 4																



RECOMMENDED PC BOARD LAYOUT



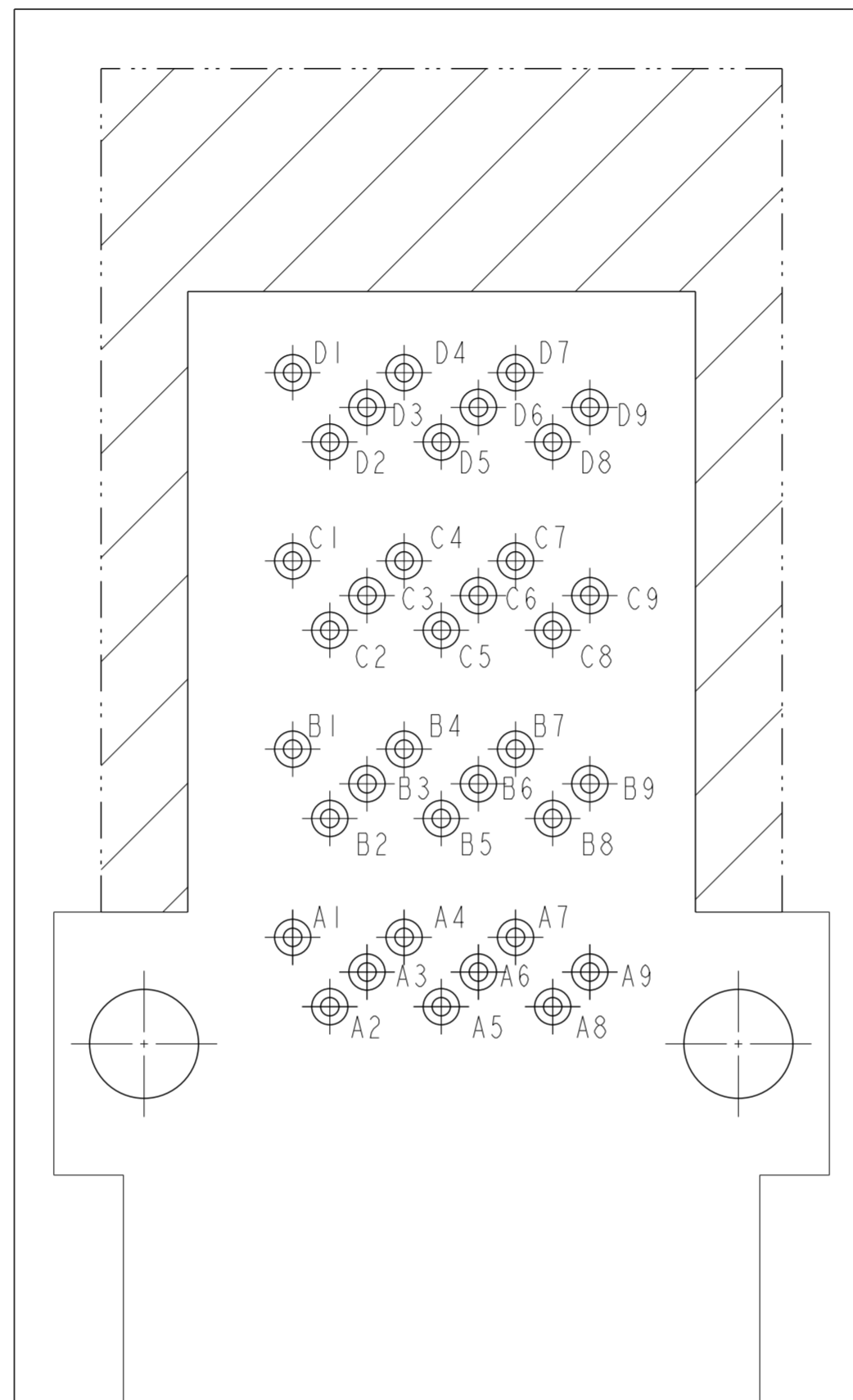
NOTES:

1. RECOMMENDED DRILL SIZE FOR A $\varnothing 0.37$ FINISHED PTH IS $\varnothing 0.457$ (#77 DRILL).
2. RECOMMENDED ANNULAR RING AROUND $\varnothing 0.37$ FINISHED PTH IS $\varnothing 0.73$.
3. MINIMUM RECOMMENDED SPACING : 14.00mm.
4. MINIMUM PCB THICKNESS : 1.57mm.
5. CONNECTOR KEEP OUT AREA.

spec ref	-	dr	Mark Gray	2010/08/04	projection	MM	size	A2	scale	4:1
tolerance std	ASME Y14.5	eng	Jacklin Zou	2015/12/09			ecn no	ELX-DG-17937-1	rel level	Released
TOLERANCES UNLESS OTHERWISE SPECIFIED		chr	Zhen Luo	2015/12/22						
		appr	Pei-Ming Zheng	2015/12/23						
surface	✓	linear	0.X	±0.25	product family	MINI-SAS HD	cat. no.	10112632	rev	C
			0.XX	±0.15						
			0.XXX	±						
		angular	0°	±1/2°						



PIN OUT DESIGNATIONS

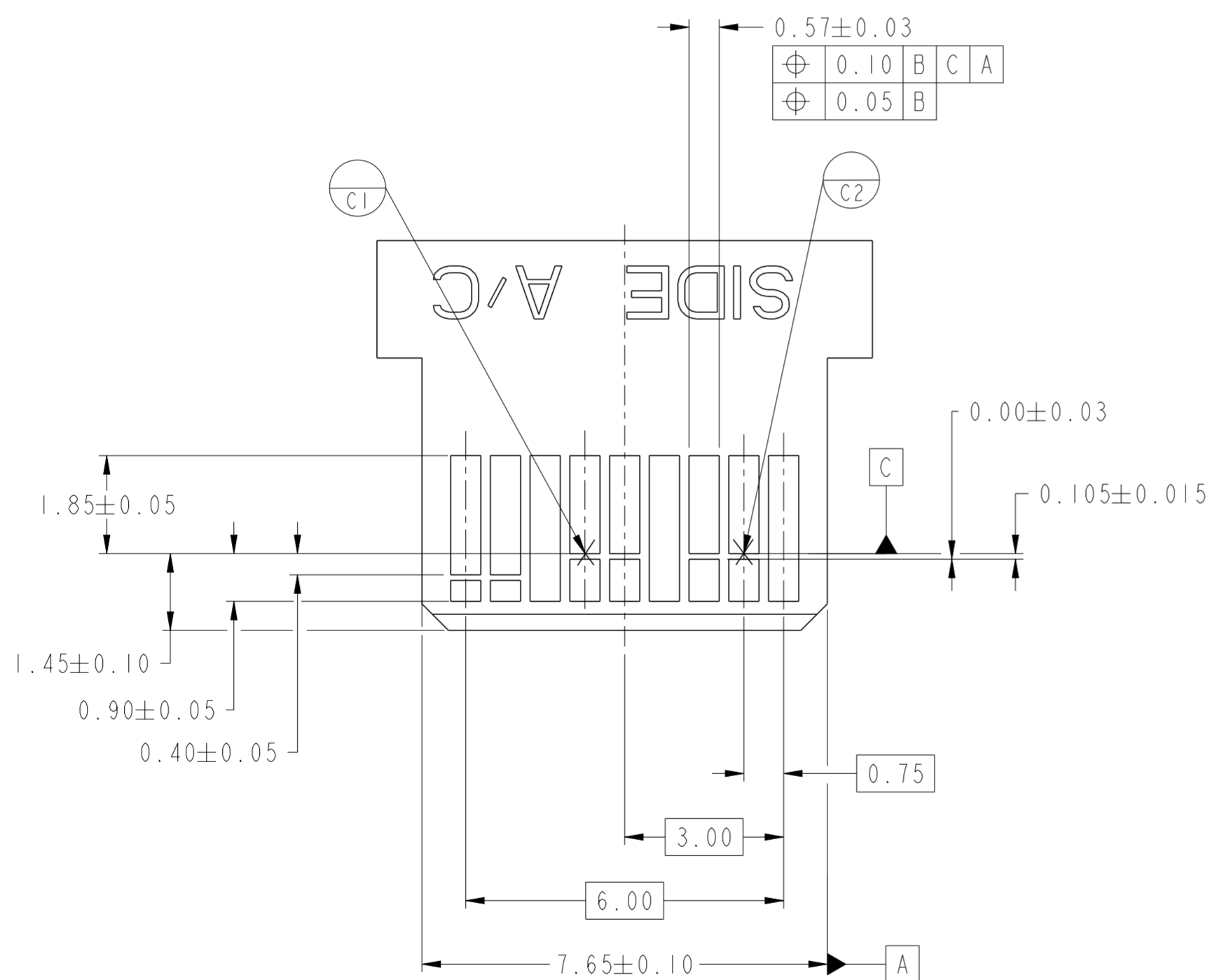
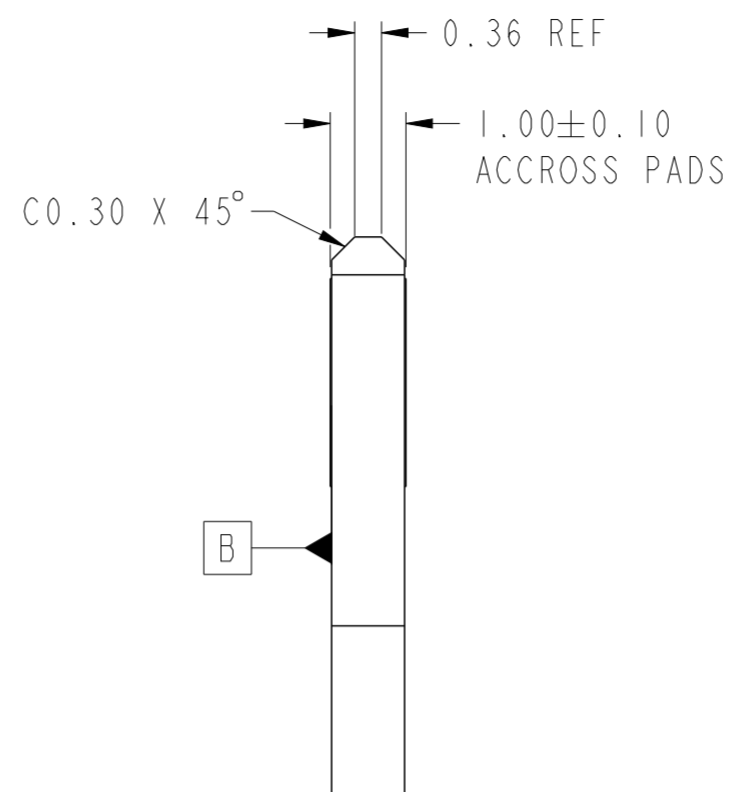
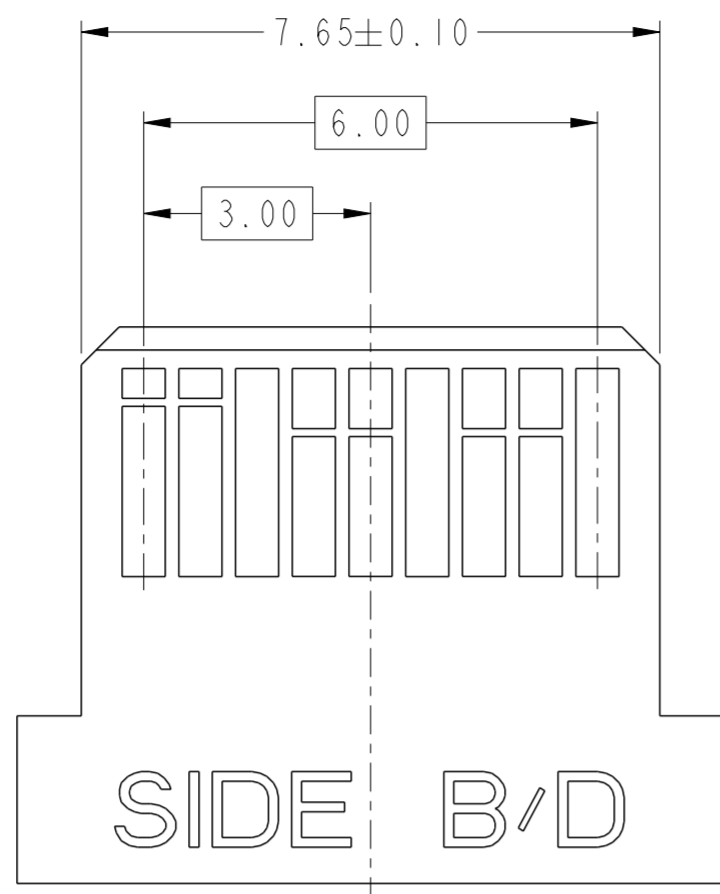


spec ref	-	dr	Mark Gray	2010/08/04	projection	MM	size	A2	scale	4:1
tolerance std	ASME Y14.5	eng	Jacklin Zou	2015/12/09			ecn no	ELX-DG-17937-1	rel level	Released
TOLERANCES UNLESS OTHERWISE SPECIFIED		chr	Zhen Luo	2015/12/22						
surface	✓	appr	Pai-Ming Zheng	2015/12/23			cat. no.	IXI INTERNAL ASSEMBLY	rev	C
ASME Y14.5	linear	0.X	±0.25	0.XX	±0.15	0.XXX	±	angular	0°	±1/2°
		www.fci.com		cat. no.		-		Product - Customer Drw		sheet 3 of 4

PDS: Rev :C

STATUS:Released

Printed: Dec 23, 2015



NOTES:

- 0.05 MINIMUM KEEP OUT SOLDER MASK AROUND ALL PADS.
- DATUM C TARGETS ARE DEFINED BY THE RESPECTIVE PAD CENTER LINES AND THE LEADING EDGE OF THE TARGET PADS.

spec ref	-	dr	Mark Gray	2010/08/04	projection	MM	size	A2	scale	4:1
tolerance std	ASME Y14.5	eng	Jacklin Zou	2015/12/09			ecn no	ELX-DG-17937-1		
		chr	Zhen Luo	2015/12/22			rel level	Released		
surface	✓	appr	Pei-Ming Zheng	2015/12/23	product family	MINI-SAS HD		dwg no	10112632	
ASME Y14.5	angular	0°	±1/2°	www.fci.com	cat. no.	-	Product - Customer Drw	sheet 4 of 4	rev	C

