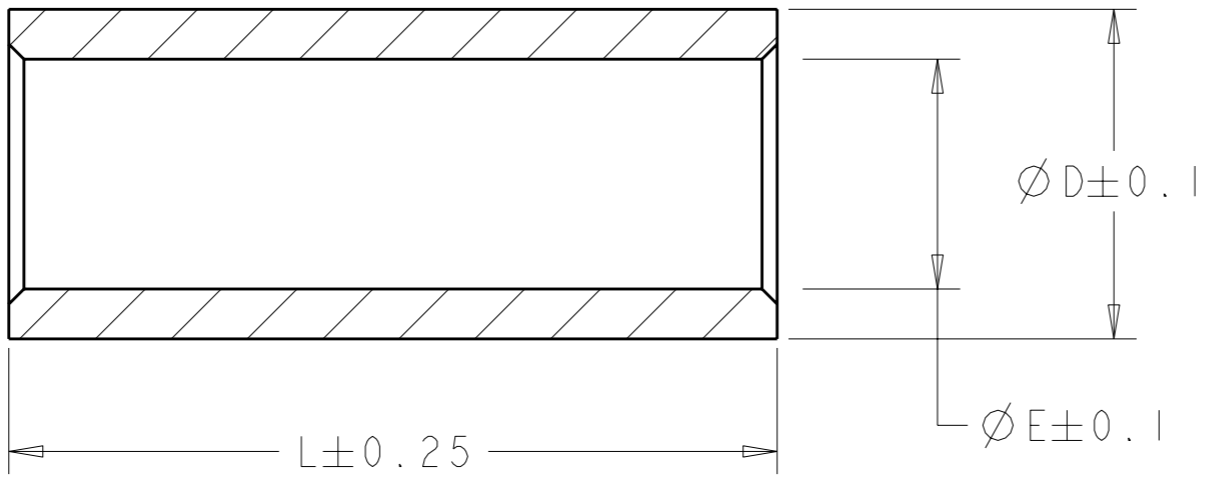
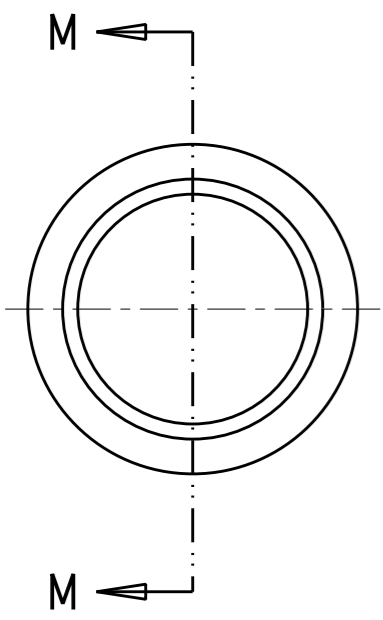


THIS DRAWING IS UNPUBLISHED. RELEASED FOR PUBLICATION 20  
 © COPYRIGHT 20 BY TYCO ELECTRONICS CORPORATION. ALL RIGHTS RESERVED.

LOC	DIST	REVISIONS			
P	LTR	DESCRIPTION	DATE	DWN	APVD
CM	0				
	2	REDRAWN - UPDATED	10JUN2003	BY	RW
	0	REVISED PER 0G3B-1056-04	13MAR06	KW	JE



SECTION M-M

DIMENSIONS	DESCRIPTION	PART NUMBER
28.0	#2/0 TO #1/0 350 AMP	1604121-6
25.4	#1/0 TO #4 AWG 175 AMP	1604121-5
25.4	#1/0 TO #2 AWG 175 AMP	1604121-4
25.4	#1/0 TO #1 AWG 175 AMP	1604121-3
25.4	#1/0 TO #6 AWG 175 AMP	1604121-2
25.4	#1/0 TO #10 AWG 175 AMP	1604121-1
L ± 0.25 (LENGTH)	ØD ± 0.1 (O.D.)	ØE ± 0.1 (I.D.)
	REDUCTION RANGE	CONNECTOR SERIES

- 1. MATERIAL: COPPER
- 2. PLATING: SILVER



<small>THIS DRAWING IS A CONTROLLED DOCUMENT FOR TYCO ELECTRONICS CORPORATION. IT IS SUBJECT TO CHANGE AND THE CONTROLLING ENGINEERING ORGANIZATION SHOULD BE CONTACTED FOR THE LATEST REVISION.</small>		DWN 10JUN2003 Brent D. Yohn	<b>tyco</b> <b>Electronics</b> Tyco Electronics Harrisburg, PA 17105-3608
DIMENSIONS: mm		CHK 10JUN2003 R.P. WALTER	
TOLERANCES UNLESS OTHERWISE SPECIFIED: 0 PLC ±- 1 PLC ±0.5 2 PLC ±0.13 3 PLC ±0.013 4 PLC ±0.0001 ANGLES ±-		APVD 10JUN2003 R.P. WALTER	NAME BUSHING, REDUCING, CRIMP, AMP POWER SERIES 175 AND 350
MATERIAL - FINISH -		PRODUCT SPEC - APPLICATION SPEC - WEIGHT -	SIZE A3 CAGE CODE 00779 DRAWING NO C-1604121 RESTRICTED TO -
CUSTOMER DRAWING			SCALE 4:1 SHEET 1 OF 1 REV 0