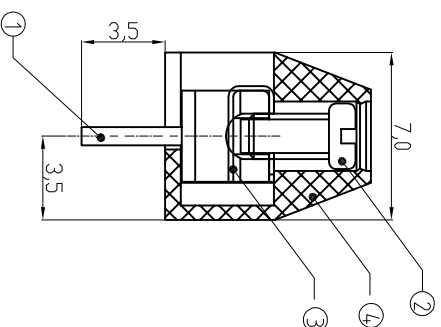
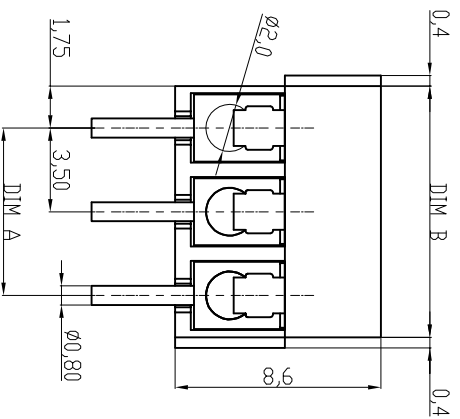


PCB LAYOUT



Material
 Item ① Terminal body(metal housing): Brass(CuZn), Tin plated
 Item ② Terminal screw: Steel Zinc plating "-" slot type
 Item ③ Wire guard: Stainless steel
 Item ④ Insulator(housing): Thermoplastic (UL94V-0) GREEN(RAL6018/T)

Electrical cULus
 Voltage rating: 125VAC
 Current rating: 10A
 Wire range:
 Solid wire(AWG): 16-26
 Stranded wire(AWG): 16-26
 Torque(Lb-In): 1.7
 Screw: M2
 Wire strip length: 5-6mm
 Withstanding Voltage: 1.25KV
 Operating temperature: -40°C to +115°C
 Soldering temperature: 250°C±10°C/5 Sec
 Safety Approval: cULus

DIMENSION	
B	Nx3.5
A	(N-1)x3.5

N=Number of poles

Poles	Tolerance(A&B)
2p	±0.10
3p-6p	±0.15
7p-12p	±0.20
13p-18p	±0.30
19p-24p	±0.40

RoHS compliant
 Unit: mm

 File No.: E349947

Scale	Free	Id.	Modification	Date	Name
TOLERANCE					
X.	±0.50			19.04.2010	Alex
X.X	±0.30			15.03.2016	Amy
X.XX	±0.10	②	Add UL		
DIM	TOL	①	Update the WSW No.	08.10.2012	Amy
X.°	±1°	③	Drawn	19.04.2010	Alex
Angle	TOL				

ASSMANN
 wsw components

Customer-No.
 ASSMANN WSW-No. ① A-TB350-T5XX
 Drawing-No.
 ASS 4157 CO
 rev02

1	2	3	4	5	6	7	A
1	2	3	4	5	6	7	A
H	G	F	E	D	C	B	A
H	G	F	E	D	C	B	A