

4

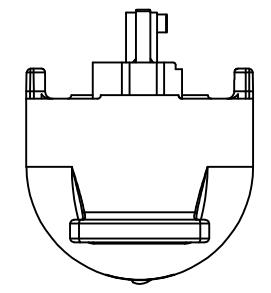
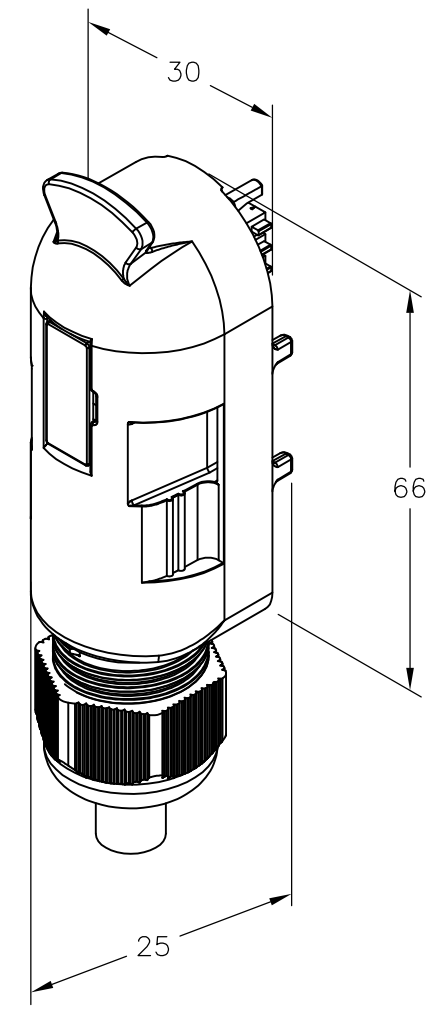
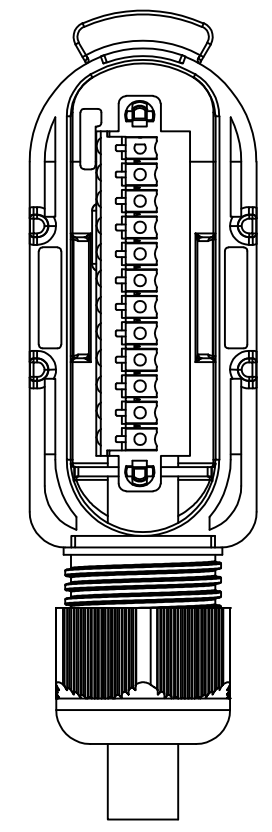
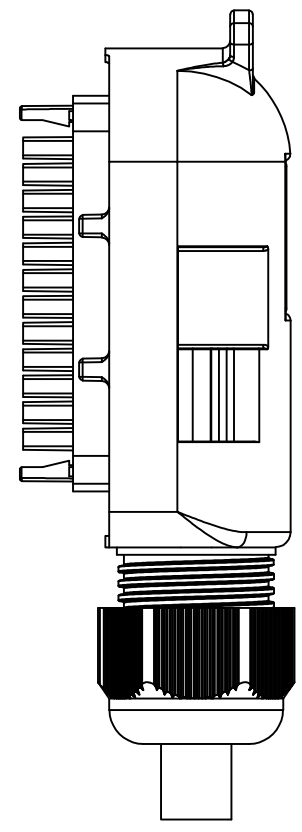
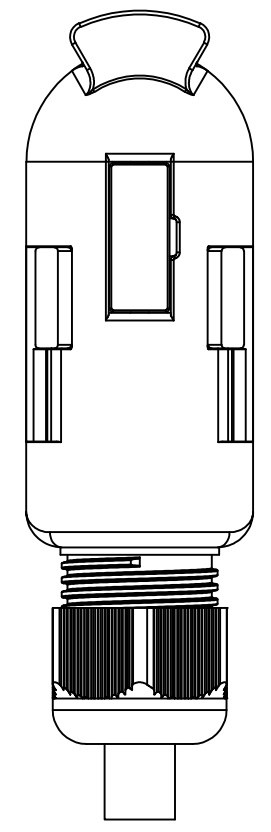
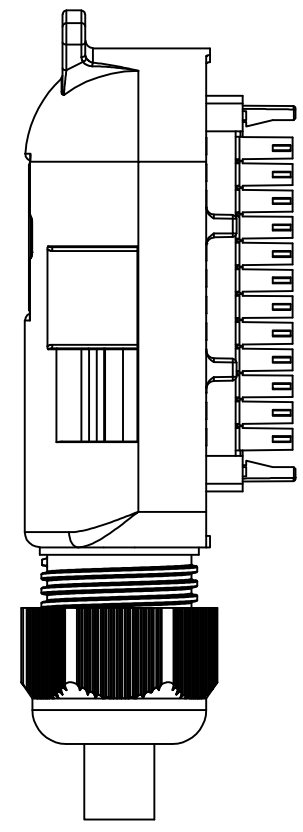
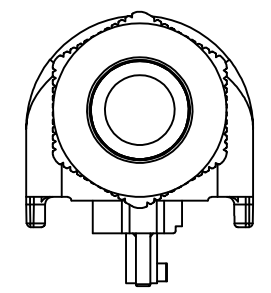
3

2

1

THIS DRAWING IS UNPUBLISHED. RELEASED FOR PUBLICATION
 © COPYRIGHT - By - ALL RIGHTS RESERVED.

LOC	DIST	REVISIONS			
P	LTR	DESCRIPTION	DATE	DWN	APVD
H	-	A	INITIAL RELEASE	14JAN2014	GSK BvH



DISTR BOX M8 CONNECTION CAP NO CABLE	2273136-1
DESCRIPTION	TE PN

THIS DRAWING IS A CONTROLLED DOCUMENT.		DWN 14JAN2014 SATHISH KUMAR.G	STE TE Connectivity	
		CHK 14JAN2014 B.VELDHOVEN		
DIMENSIONS: mm		APVD 14JAN2014 A.VAN ZANDVOORT	NAME DISTR BOX M8 CONNECTION CAP NO CABLE	
TOLERANCES UNLESS OTHERWISE SPECIFIED:		PRODUCT SPEC	-	
0 PLC ± -		APPLICATION SPEC	-	
1 PLC ± -		WEIGHT	-	
2 PLC ± -		SIZE	A3	CAGE CODE
3 PLC ± -		DRAWING NO	00779 C-2273136	
4 PLC ± -		RESTRICTED TO	-	
ANGLES ± -		SCALE	NTS	
MATERIAL		SHEET	1 OF 2	
FINISH		REV	A	
		CUSTOMER DRAWING		

4

3

2

1

THIS DRAWING IS UNPUBLISHED. RELEASED FOR PUBLICATION - , - .
 © COPYRIGHT - By - ALL RIGHTS RESERVED.

LOC	DIST	REVISIONS					
		P	LTR	DESCRIPTION	DATE	DWN	APVD
H	-		-	SEE SHEET 1	-	-	-

Contact Layout

M8-Females 3-pole/4-pole



- 1
- 2
- 3
- 4
- 5
- 6
- 7
- 8
- 9
- 10
- 11
- 12

THIS DRAWING IS A CONTROLLED DOCUMENT.		DWN 14JAN2014 SATHISH KUMAR.G	STE TE Connectivity				
DIMENSIONS: mm		CHK 14JAN2014 B.VELDHOVEN					
TOLERANCES UNLESS OTHERWISE SPECIFIED:		APVD 14JAN2014 A.VAN ZANDVOORT	NAME DISTR BOX M8 CONNECTION CAP NO CABLE				
		PRODUCT SPEC	-				
		APPLICATION SPEC	-				
MATERIAL	FINISH	WEIGHT	SIZE A3	CAGE CODE 00779	DRAWING NO C-2273136	RESTRICTED TO	
-	-	-	CUSTOMER DRAWING		SCALE NTS	SHEET 2 OF 2	REV A