



MICROCHIP

**Energy Monitoring
PICtail™ Plus Daughter Board
User's Guide**

Note the following details of the code protection feature on Microchip devices:

- Microchip products meet the specification contained in their particular Microchip Data Sheet.
- Microchip believes that its family of products is one of the most secure families of its kind on the market today, when used in the intended manner and under normal conditions.
- There are dishonest and possibly illegal methods used to breach the code protection feature. All of these methods, to our knowledge, require using the Microchip products in a manner outside the operating specifications contained in Microchip's Data Sheets. Most likely, the person doing so is engaged in theft of intellectual property.
- Microchip is willing to work with the customer who is concerned about the integrity of their code.
- Neither Microchip nor any other semiconductor manufacturer can guarantee the security of their code. Code protection does not mean that we are guaranteeing the product as "unbreakable."

Code protection is constantly evolving. We at Microchip are committed to continuously improving the code protection features of our products. Attempts to break Microchip's code protection feature may be a violation of the Digital Millennium Copyright Act. If such acts allow unauthorized access to your software or other copyrighted work, you may have a right to sue for relief under that Act.

Information contained in this publication regarding device applications and the like is provided only for your convenience and may be superseded by updates. It is your responsibility to ensure that your application meets with your specifications. MICROCHIP MAKES NO REPRESENTATIONS OR WARRANTIES OF ANY KIND WHETHER EXPRESS OR IMPLIED, WRITTEN OR ORAL, STATUTORY OR OTHERWISE, RELATED TO THE INFORMATION, INCLUDING BUT NOT LIMITED TO ITS CONDITION, QUALITY, PERFORMANCE, MERCHANTABILITY OR FITNESS FOR PURPOSE. Microchip disclaims all liability arising from this information and its use. Use of Microchip devices in life support and/or safety applications is entirely at the buyer's risk, and the buyer agrees to defend, indemnify and hold harmless Microchip from any and all damages, claims, suits, or expenses resulting from such use. No licenses are conveyed, implicitly or otherwise, under any Microchip intellectual property rights.

Trademarks

The Microchip name and logo, the Microchip logo, dsPIC, KEELOQ, KEELOQ logo, MPLAB, PIC, PICmicro, PICSTART, PIC³² logo, rfPIC and UNI/O are registered trademarks of Microchip Technology Incorporated in the U.S.A. and other countries.


FilterLab, Hampshire, HI-TECH C, Linear Active Thermistor, MXDEV, MXLAB, SEEVAL and The Embedded Control Solutions Company are registered trademarks of Microchip Technology Incorporated in the U.S.A.

Analog-for-the-Digital Age, Application Maestro, chipKIT, chipKIT logo, CodeGuard, dsPICDEM, dsPICDEM.net, dsPICworks, dsSPEAK, ECAN, ECONOMONITOR, FanSense, HI-TIDE, In-Circuit Serial Programming, ICSP, Mindi, MiWi, MPASM, MPLAB Certified logo, MPLIB, MPLINK, mTouch, Omniscient Code Generation, PICC, PICC-18, PICDEM, PICDEM.net, PICkit, PICtail, REAL ICE, rfLAB, Select Mode, Total Endurance, TSHARC, UniWinDriver, WiperLock and ZENA are trademarks of Microchip Technology Incorporated in the U.S.A. and other countries.

SQTP is a service mark of Microchip Technology Incorporated in the U.S.A.

All other trademarks mentioned herein are property of their respective companies.

© 2011, Microchip Technology Incorporated, Printed in the U.S.A., All Rights Reserved.

 Printed on recycled paper.

ISBN: 978-1-61341-243-5

QUALITY MANAGEMENT SYSTEM
CERTIFIED BY DNV
== ISO/TS 16949:2009 ==

Microchip received ISO/TS-16949:2002 certification for its worldwide headquarters, design and wafer fabrication facilities in Chandler and Tempe, Arizona; Gresham, Oregon and design centers in California and India. The Company's quality system processes and procedures are for its PIC[®] MCUs and dsPIC[®] DSCs, KEELOQ[®] code hopping devices, Serial EEPROMs, microperipherals, nonvolatile memory and analog products. In addition, Microchip's quality system for the design and manufacture of development systems is ISO 9001:2000 certified.



ENERGY MONITORING PICtail™ PLUS DAUGHTER BOARD USER'S GUIDE

Table of Contents

Preface	7
Introduction.....	7
Document Layout	8
Conventions Used in this Guide	9
Recommended Reading.....	10
The Microchip Web Site	10
Customer Support	10
Document Revision History	10
Chapter 1. Product Overview	
1.1 Introduction	11
1.2 What the Energy Monitoring PICtail™ Plus Daughter Board User's Guide Kit Includes	12
1.3 Getting Started	12
Chapter 2. Hardware	
2.1 Overview	13
2.2 Input and Analog Front End	15
2.3 Power Supply Circuit	16
Chapter 3. Calculation Engine and Register Description	
3.1 Calculation Engine Signal Flow Summary	17
3.2 Complete Register List	18
3.3 MODE	19
3.4 STATUS	20
3.5 CAL_CONTROL	21
3.6 LINE_CYC	22
3.7 LINE_CYC_CNT	22
3.8 RAW2_I_RMS	22
3.9 RAW_I_RMS	22
3.10 I_RMS	22
3.11 RAW2_V_RMS	23
3.12 RAW_V_RMS	23
3.13 V_RMS	23
3.14 LINE_FREQUENCY	23
3.15 RAW_POWER_ACT	24
3.16 POWER_ACT	24
3.17 POWER_APP	24
3.18 RAW_POWER_REACT	24

3.19 POWER_REACT	25
3.20 PERIOD	25
3.21 ENERGY_ACT	25
3.22 ENERGY_APP	25
3.23 I_ABS_MAX	26
3.24 V_ABS_MAX	26
3.25 ENERGY_REACT	26
3.26 PHASE_COMPENSATION	26
3.27 OFFSET_I_RMS	26
3.28 OFFSET_V_RMS	27
3.29 GAIN_I_RMS	27
3.30 GAIN_V_RMS	27
3.31 OFFSET_POWER_ACT	27
3.32 GAIN_POWER_ACT	27
3.33 OFFSET_POWER_REACT	28
3.34 GAIN_POWER_REACT	28
3.35 GAIN_ENERGY_ACT	28
3.36 GAIN_ENERGY_APP	28
3.37 GAIN_ENERGY_REACT	28
3.38 CF_PULSE_WIDTH	29
3.39 GAIN_DENR_ENERGY_ACT	29
3.40 GAIN_NUMR_ENERGY_ACT	29
3.41 MODE1_DEF	29
3.42 CAL_STATUS	30
3.43 MAXIMUM CURRENT	30
3.44 CALIBRATION_VOLTAGE	30
3.45 CALIBRATION_CURRENT	30
3.46 CALIBRATION_FREQUENCY	31
3.47 METER_CONSTANT	31
3.48 CALIBRATION_LINE_CYCLE	31
3.49 GAIN_DENR_ENERGY_REACT	31
3.50 GAIN_NUMR_ENERGY_REACT	31
3.51 PHASE_COMPENSATION_90	31
3.52 CREEP_THRSHOLD_MINUTE	32
3.53 CREEP_THRSHOLD_SECOND	32
3.54 ENERGY_ACT_FORWARD	32
3.55 ENERGY_ACT_REVERSE	32
3.56 ENERGY_REACT_INDUCTIVE	32
3.57 ENERGY_REACT_CAPACITIVE	33

Appendix A. Schematic and Layouts

A.1 Introduction	35
A.2 Schematics and PCB Layout	35
A.3 Board – Schematic	36
A.4 Board – Schematic Isolation	37

A.5 Board – Top Silk	38
A.6 Board – Top Traces and Pads	39
A.7 Board – Top Traces and Silk	40
A.8 Board – Bottom Traces and Pads	41
A.9 Board – Bottom Silk	42
Appendix B. Bill of Materials (BOM)	
Worldwide Sales and Service	47



ENERGY MONITORING PICtail™ PLUS DAUGHTER BOARD USER'S GUIDE

Preface

NOTICE TO CUSTOMERS

All documentation becomes dated, and this manual is no exception. Microchip tools and documentation are constantly evolving to meet customer needs, so some actual dialogs and/or tool descriptions may differ from those in this document. Please refer to our web site (www.microchip.com) to obtain the latest documentation available.

Documents are identified with a “DS” number. This number is located on the bottom of each page, in front of the page number. The numbering convention for the DS number is “DSXXXXA”, where “XXXX” is the document number and “A” is the revision level of the document.

For the most up-to-date information on development tools, see the MPLAB® IDE on-line help. Select the Help menu, and then Topics to open a list of available online help files.

INTRODUCTION

This chapter contains general information that will be useful to know before using the Energy Monitoring PICtail™ Plus Daughter Board. Items discussed in this chapter include:

- Document Layout
- Conventions Used in this Guide
- Recommended Reading
- The Microchip Web Site
- Customer Support
- Document Revision History

DOCUMENT LAYOUT

This document describes how to use the Energy Monitoring PICtail™ Plus Daughter Board as a development tool to emulate and debug firmware on a target board. The manual layout is as follows:

- **Chapter 1. “Product Overview”** – Important information on the Energy Monitoring PICtail™ Plus Daughter Board, including a getting started section that describes wiring the line and load connections.
- **Chapter 2. “Hardware”** – This chapter details the function blocks of the meter, including the analog front end design, Phase Lock Loop (PLL) circuitry and power supply design.
- **Chapter 3. “Calculation Engine and Register Description”** – This section describes the digital signal flow for all power output quantities such as RMS current, RMS voltage, active power and apparent power. This section also includes the calibration registers detail.
- **Appendix A. “Schematic and Layouts”** – Shows the schematic and layout diagrams.
- **Appendix B. “Bill of Materials (BOM)”** – Lists the parts used to build the Energy Monitoring PICtail™ Plus Daughter Board.

CONVENTIONS USED IN THIS GUIDE

This manual uses the following documentation conventions:

DOCUMENTATION CONVENTIONS

Description	Represents	Examples
Arial font:		
Italic characters	Referenced books	<i>MPLAB[®] IDE User's Guide</i>
	Emphasized text	...is the <i>only</i> compiler...
Initial caps	A window	the Output window
	A dialog	the Settings dialog
	A menu selection	select Enable Programmer
Quotes	A field name in a window or dialog	"Save project before build"
Underlined, italic text with right angle bracket	A menu path	<u><i>File>Save</i></u>
Bold characters	A dialog button	Click OK
	A tab	Click the Power tab
N'Rnnnn	A number in verilog format, where N is the total number of digits, R is the radix and n is a digit.	4'b0010, 2'hF1
Text in angle brackets < >	A key on the keyboard	Press <Enter>, <F1>
Courier New font:		
Plain Courier New	Sample source code	#define START
	Filenames	autoexec.bat
	File paths	c:\mcc18\h
	Keywords	_asm, _endasm, static
	Command-line options	-Opa+, -Opa-
	Bit values	0, 1
	Constants	0xFF, 'A'
Italic Courier New	A variable argument	<i>file.o</i> , where <i>file</i> can be any valid filename
Square brackets []	Optional arguments	mcc18 [options] <i>file</i> [options]
Curly brackets and pipe character: { }	Choice of mutually exclusive arguments; an OR selection	errorlevel {0 1}
Ellipses...	Replaces repeated text	var_name [, var_name...]
	Represents code supplied by user	void main (void) { ... }

Energy Monitoring PICtail™ Plus Daughter Board User's Guide

RECOMMENDED READING

This user's guide describes how to use the Energy Monitoring PICtail™ Plus Daughter Board. Other useful documents are listed below. The following Microchip documents are available and recommended as supplemental reference resources.

PIC18F87J72 Family Data Sheet, "80-Pin, High-Performance Microcontrollers with Dual Channel AFE, LCD Driver and nanoWatt Technology" (DS39979)

This data sheet provides detailed information regarding the PIC18F87J72 device.

AN994 Application Note "IEC61036 Meter Design using the MCP3905A/06A Energy Metering Devices" (DS00994)

This application note documents the design decisions associated with using the MCP390X devices for energy meter design and IEC compliance, which are directly related to the PIC18F87J72 and other PIC® microcontroller-based meter designs.

"Single-Phase Energy Meter Calibration User's Guide" (DS51964)

This document describes the software and calibration methods associated to the PIC18F87J72 and how to communicate to, and use the device registers described in this document for energy monitoring and calibration.

THE MICROCHIP WEB SITE

Microchip provides online support via our web site at www.microchip.com. This web site is used as a means to make files and information easily available to customers. Accessible by using your favorite Internet browser, the web site contains the following information:

- **Product Support** – Data sheets and errata, application notes and sample programs, design resources, user's guides and hardware support documents, latest software releases and archived software
- **General Technical Support** – Frequently Asked Questions (FAQs), technical support requests, online discussion groups, Microchip consultant program member listing
- **Business of Microchip** – Product selector and ordering guides, latest Microchip press releases, listing of seminars and events, listings of Microchip sales offices, distributors and factory representatives

CUSTOMER SUPPORT

Users of Microchip products can receive assistance through several channels:

- Distributor or Representative
- Local Sales Office
- Field Application Engineer (FAE)
- Technical Support

Customers should contact their distributor, representative or field application engineer (FAE) for support. Local sales offices are also available to help customers. A listing of sales offices and locations is included in the back of this document.

Technical support is available through the web site at: <http://support.microchip.com>

DOCUMENT REVISION HISTORY

Revision A (June 2011)

- Initial Release of this Document.

Chapter 1. Product Overview

1.1 INTRODUCTION

The Energy Monitoring PICtail™ Plus Daughter Board is a power monitor circuit that uses the highly integrated PIC18F87J72 single chip energy meter IC. This low-cost design does not use any transformers and requires few external components. It includes both an isolated USB connection for meter calibration and access to the device power calculation, and an isolated PICtail Plus connection for Explorer 16 Development Board and other board developments.

The system calculates the Active Energy, Reactive Energy (both forward and reverse), Active Power, Reactive Power, Apparent Power, Root Mean Square Voltage (V_{RMS}), Root Mean Square Current (I_{RMS}), and other typical power quantities.

The Microchip Energy Meter 1-Phase Software used with this board calibrates and monitors the system. It can also be used to create custom calibration setups. For some accuracy requirements only a single point calibration may be required. The software offers an automated step by step calibration process that can be used to quickly calibrate energy meters.

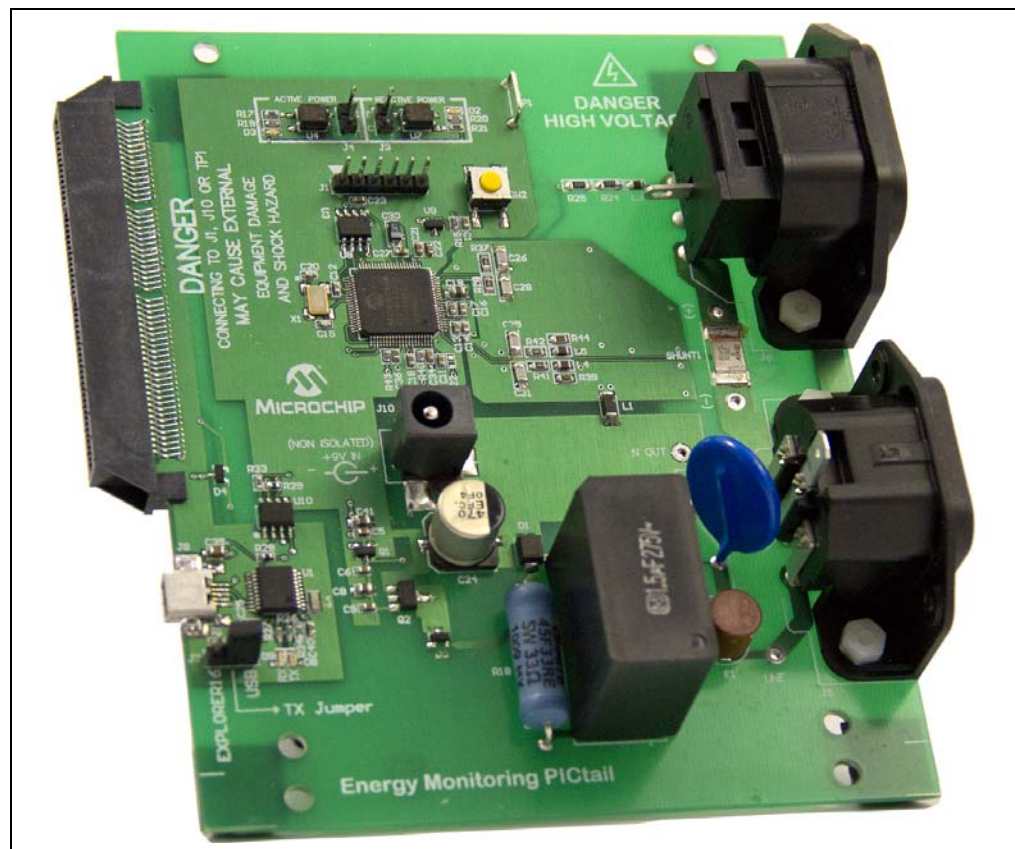


FIGURE 1-1: Energy Monitoring PICtail™ Plus Daughter Board.

1.2 WHAT THE ENERGY MONITORING PICtail™ PLUS DAUGHTER BOARD USER'S GUIDE KIT INCLUDES

The Energy Monitoring PICtail™ Plus Daughter Board Kit includes:

- Energy Monitoring PICtail™ Plus Daughter Board (102-00330)
- Important Information Sheet

1.3 GETTING STARTED

The Energy Monitoring PICtail™ Plus Daughter Board uses a 2A load for calibration current, and a maximum current (I_{MAX}) of 15A.

All connections described in this section are dependent on the choice of the current sensing element. A secondary external transformer may be required in higher current meter designs.

To test a calibrated meter, the following connections apply for a two-wire connection.

1.3.1 Step 1: Wiring connections

J5 and J6 are the line and load connections of the meter.

1.3.2 Step 2: Connect the board to a PC running the energy meter software

The meter will turn on when the line connection has 110V–240V connected. The PC software will show the total energy accumulated.

Chapter 2. Hardware

2.1 OVERVIEW

Figure 2-1 shows the Energy Monitoring PICtail Plus Daughter Board:

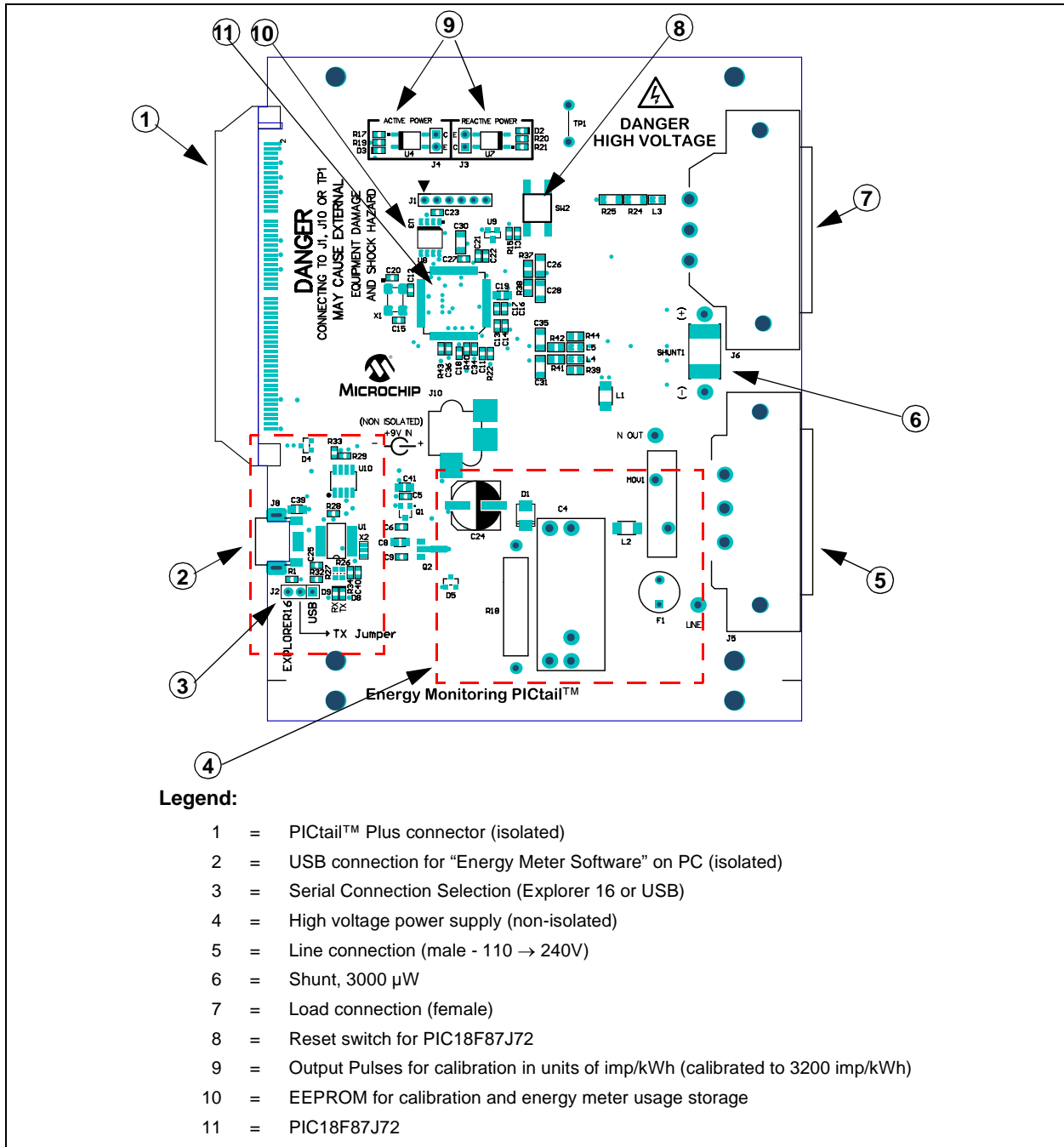


FIGURE 2-1: Hardware Components.

Energy Monitoring PICtail™ Plus Daughter Board User's Guide

Figure 2-2 shows the digital connections of the Energy Monitoring PICtail Plus Daughter Board.

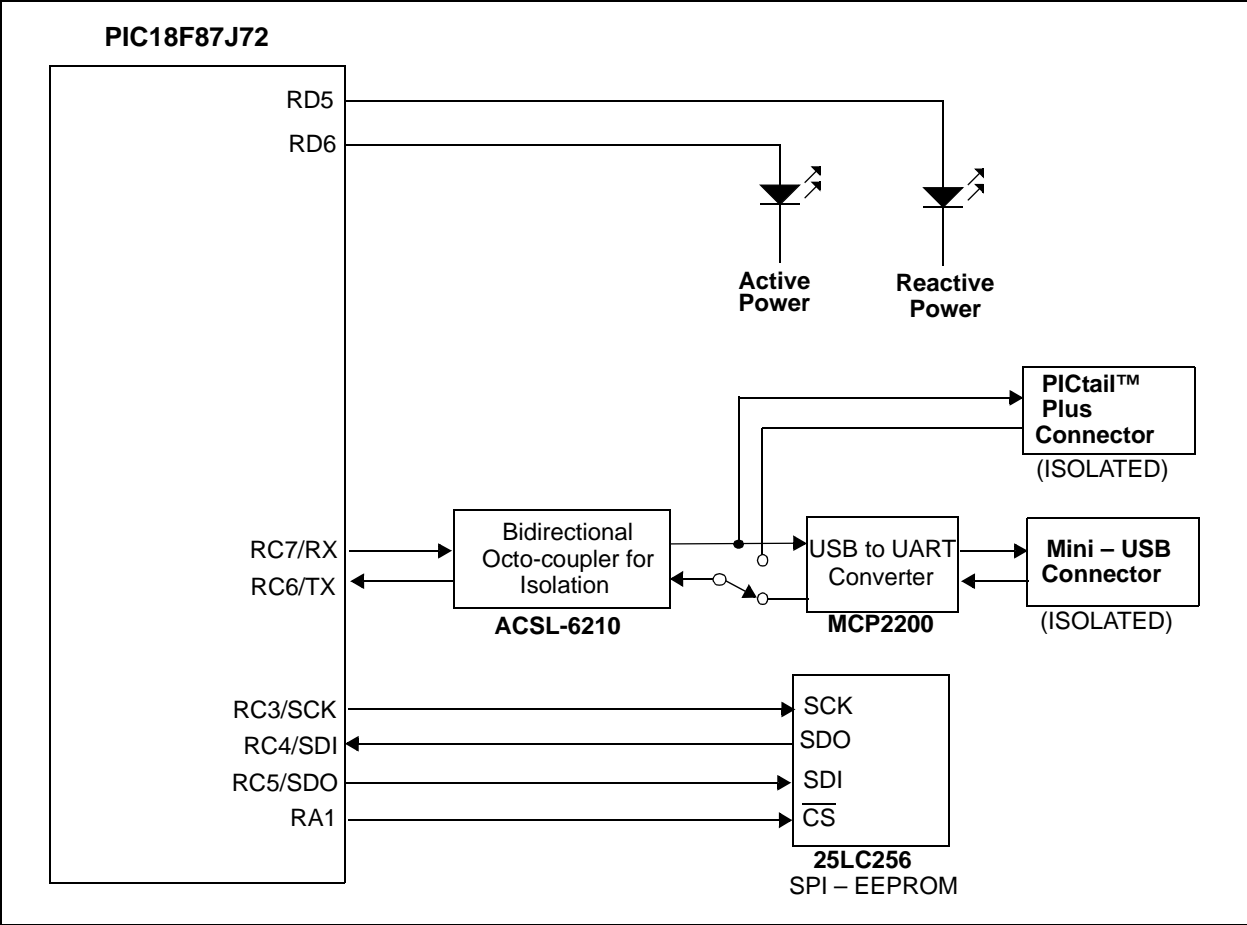


FIGURE 2-2: Simplified Schematic for Digital Connections.

2.2 INPUT AND ANALOG FRONT END

The Energy Monitoring PICtail Plus Daughter Board comes populated with components designed for 110–240V line voltage. The shunt sits on the low or neutral side of a two-wire system.

The line of phase side of the two-wire system goes into a resistor divider on the voltage channel input. Anti-aliasing low-pass filters will be included on both differential channels. The voltage channel uses two 330 k Ω resistors to achieve a divider ratio of 664:1. For a line voltage of 230 V_{RMS}, the channel 1 input signal size will be 490 mV_{PEAK}.

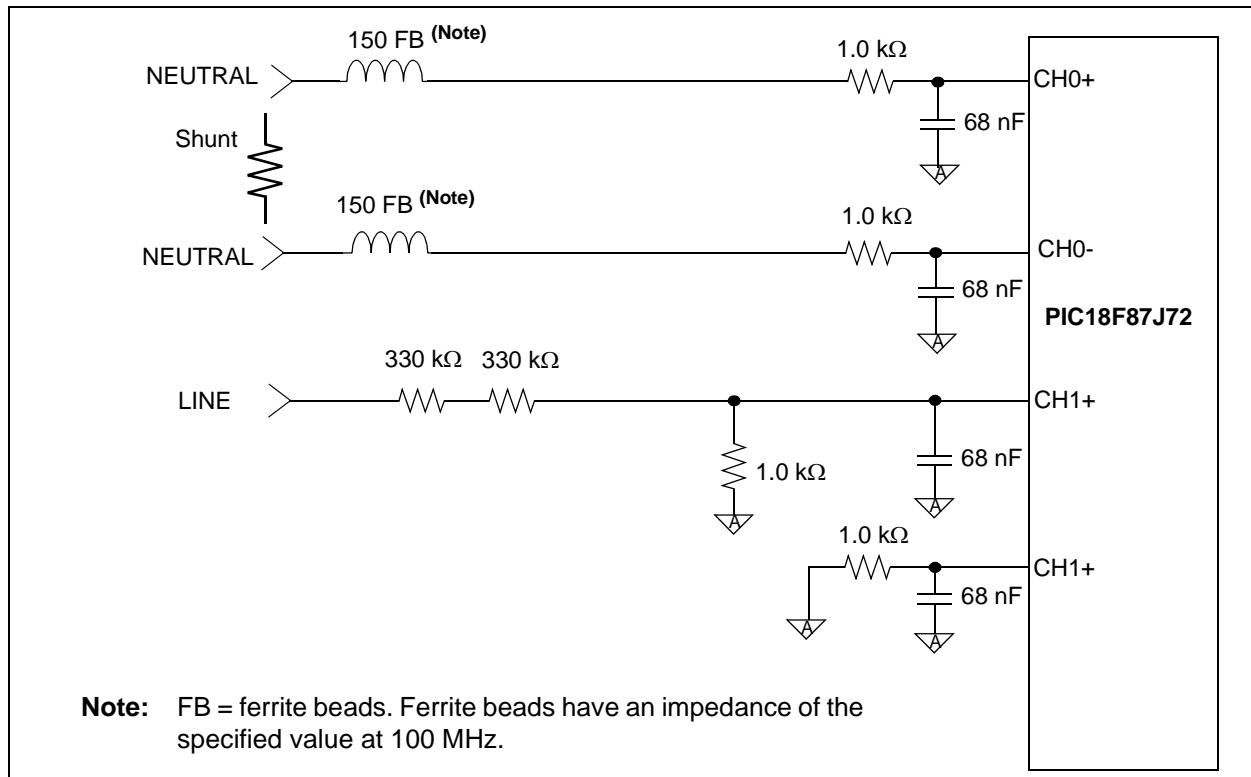


FIGURE 2-3: Analog Input Circuitry.

Energy Monitoring PICtail™ Plus Daughter Board User's Guide

2.3 POWER SUPPLY CIRCUIT

The power supply circuit for the Energy Monitoring PICtail Plus Daughter Board uses a half-wave rectified signal, a single +5V voltage regulator and a 3.3V LDO.

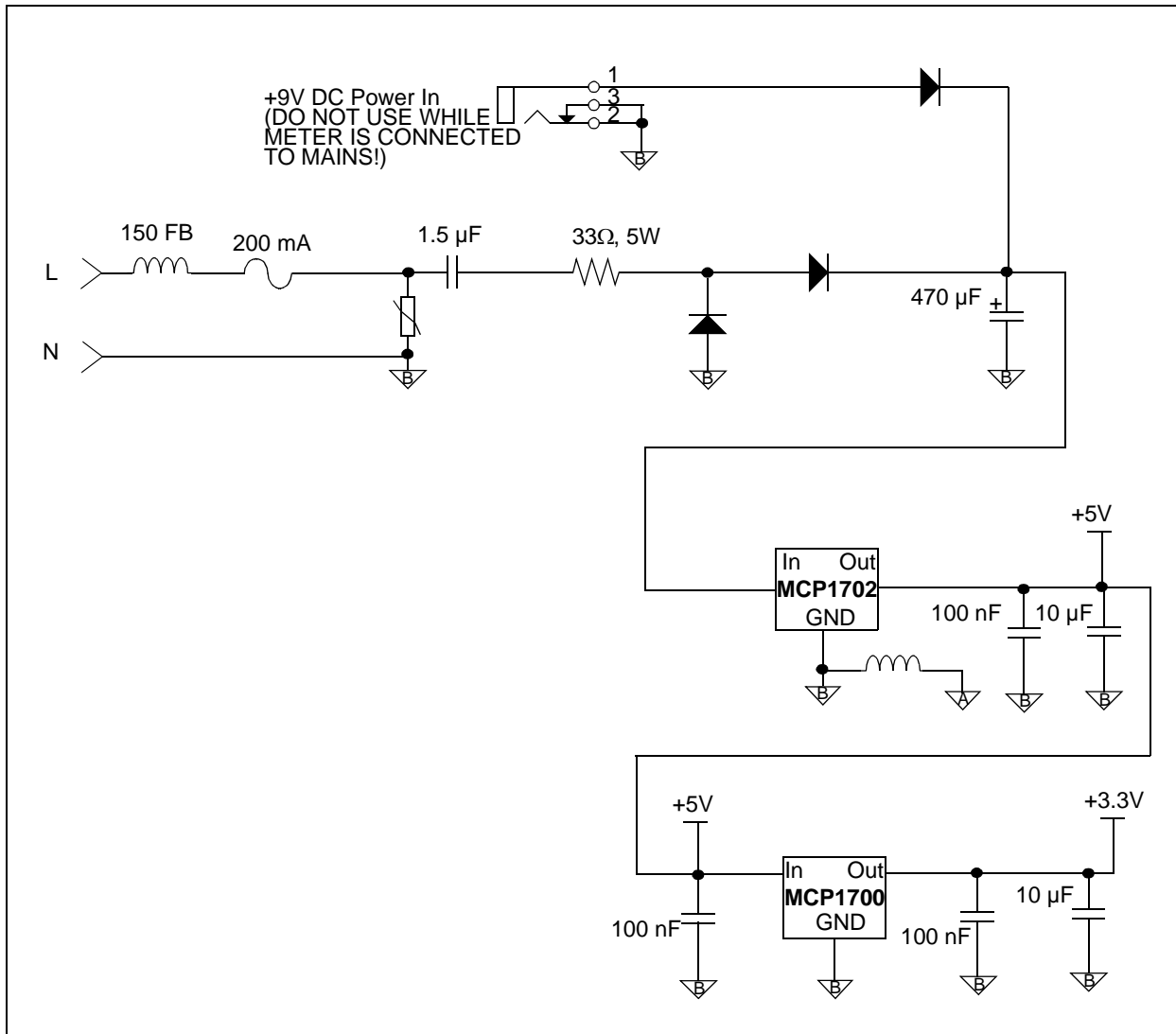


FIGURE 2-4: Simplified Power Supply Circuit.

Chapter 3. Calculation Engine and Register Description

3.1 CALCULATION ENGINE SIGNAL FLOW SUMMARY

RMS voltage, RMS current, Active Power and Apparent Power, and the calibration output pulse are all calculated through the following process described in Figure 3-1. The calibration registers for each calculation are shown as well as the output registers.

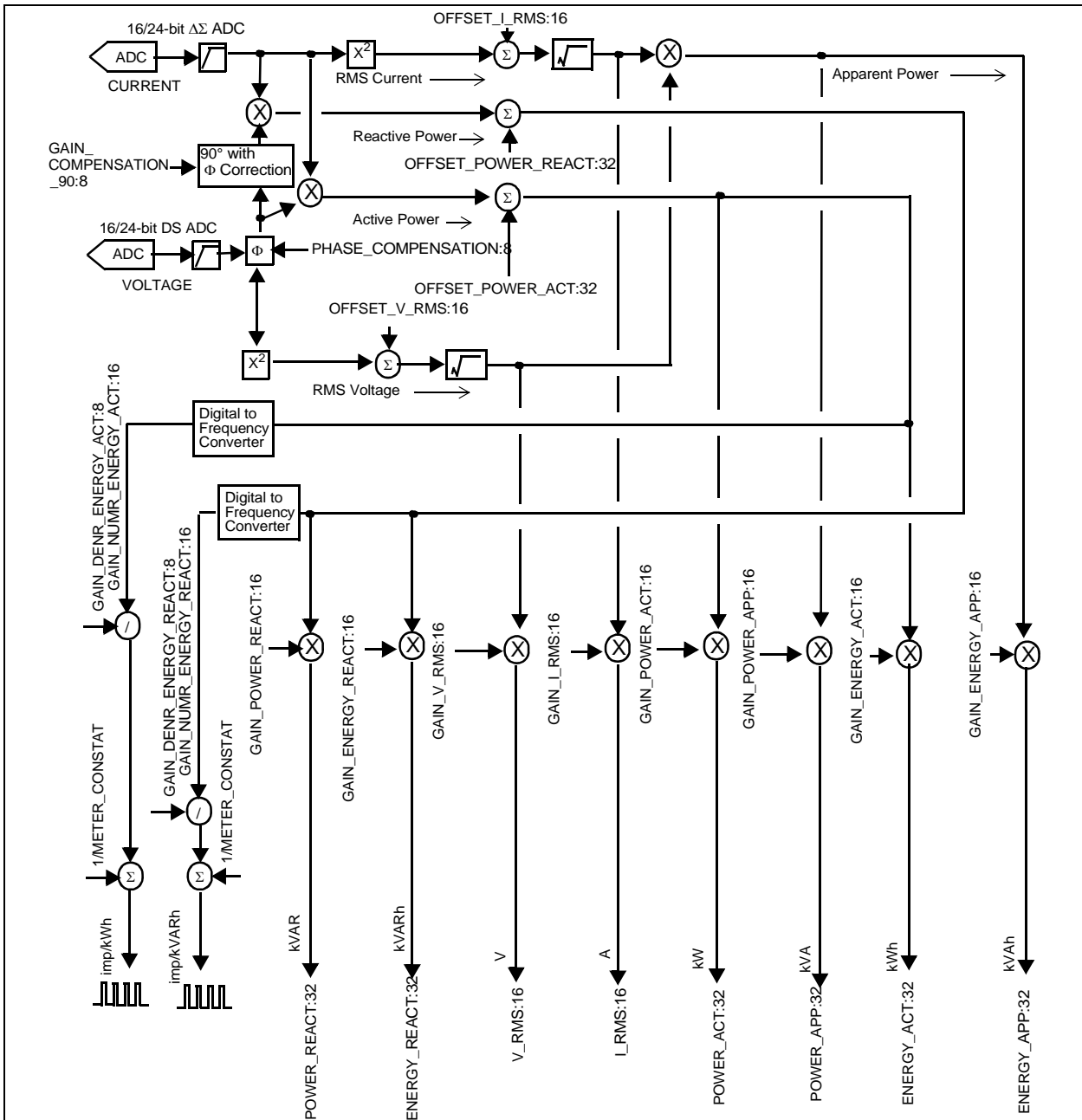


FIGURE 3-1: PIC18F87J72 Calculation Engine Signal Flow

Energy Monitoring PICtail™ Plus Daughter Board User's Guide

3.2 COMPLETE REGISTER LIST

TABLE 3-1: INTERNAL REGISTER SUMMARY

Name	Bits	R/W	Description
MODE	8	R/W	Configuration register for operating mode of the meter.
STATUS	8	R	STATUS register.
CAL_CONTROL	8	R/W	Configuration register for calibration control.
LINE_CYC	16	R/W	2 ⁿ number of line cycles to be used during energy accumulation.
LINE_CYC_CNT	16	R	Counter for number of line cycles.
RAW2_I_RMS	64	R	Raw ² RMS value from the current A/D converter in LSBs.
RAW_I_RMS	16	R	Raw RMS value from the current A/D converter in LSBs.
I_RMS	16	R	RMS value of the current, post Calibration.
RAW2_V_RMS	64	R	Raw ² RMS value from the voltage A/D converter in LSBs.
RAW_V_RMS	16	R	Raw RMS value from the voltage A/D converter in LSBs.
V_RMS	16	R	RMS value of the voltage, post Calibration.
LINE_FREQUENCY	16	R	Line Frequency.
RAW_POWER_ACT	64	R	Raw Active Power.
POWER_ACT	32	R	Final Active Power, units in watts (W).
POWER_APP	32	R	Final Apparent Power, units in volt-amperes (VA).
RAW_POWER_REACT	64	R	Raw Reactive Power.
POWER_REACT	32	R	Final Reactive Power, units in volt-amperes-reactive (VAR).
PERIOD	32	R	Period register.
ENERGY_ACT	32	R	Final Active Energy accumulated.
RAW_ENERGY_ACT	64	R	Raw Active Energy accumulated.
ENERGY_APP	32	R	Final Apparent Energy accumulated.
RAW_ENERGY_APP	64	R	Raw Apparent Energy accumulated.
I_ABS_MAX	8	R	Not implemented.
V_ABS_MAX	8	R	Not implemented.
ENERGY_REACT	32	R	Final Reactive Energy accumulated.
RAW_ENERGY_REACT	64	R	Final Reactive Energy accumulated.
PHASE_COMPENSATION	8	R/W	Phase compensation between voltage and current.
OFFSET_I_RMS	16	R/W	Offset adjustment for RMS current reading.
OFFSET_V_RMS	16	R/W	Offset adjustment for RMS voltage reading.
GAIN_I_RMS	16	R/W	Gain adjustment for RMS current.
GAIN_V_RMS	16	R/W	Gain adjustment for RMS voltage.
OFFSET_POWER_ACT	32	R/W	Active Power offset.
GAIN_POWER_ACT	16	R/W	Active Power gain adjust.
OFFSET_POWER_REACT	32	R/W	Offset correction for Reactive Power.
GAIN_POWER_REACT	16	R/W	Reactive Power gain adjust to produce X VAR/LSB.
GAIN_ENERGY_ACT	16	R/W	Not implemented.
GAIN_ENERGY_APP	16	R/W	Not implemented.
GAIN_ENERGY_REACT	16	R/W	Not implemented.
CF_PULSE_WIDTH	8	R/W	Defines CF pulse width from 0 to 255 x 0.8192 ms (0.209s).
GAIN_DENR_ENERGY_ACT	8	R/W	Active Energy Pulse Output correction factor.
GAIN_NUMR_ENERGY_ACT	16	R/W	Active Energy Pulse Output correction factor.
MODE1_DEF	16	R/W	Power-Up Configuration Register.
CAL_STATUS	16	R/W	Calibration Status.

Calculation Engine and Register Description

TABLE 3-1: INTERNAL REGISTER SUMMARY (CONTINUED)

Name	Bits	R/W	Description
MAXIMUM_CURRENT	16	R/W	Maximum current of the meter (I_{MAX}).
CALIBRATION_VOLTAGE	16	R/W	Calibration Voltage of the meter (V_{CAL}).
CALIBRATION_CURRENT	16	R/W	Calibration Current of the meter (I_{CAL}).
CALIBRATION_FREQUENCY	16	R/W	Calibration Frequency of the meter.
METER_CONSTANT	16	R/W	Meter Constant in imp/kWh or imp/kVARh.
CALIBRATION_LINE_CYCLE	16	R/W	Number of line cycles for calibration.
GAIN_DENR_ENERGY_REACT	8	R/W	Reactive Energy Pulse Output correction factor.
GAIN_NUMR_ENERGY_REACT	16	R/W	Reactive Energy Pulse Output correction factor.
PHASE_COMPENSATION_90	8	R/W	Phase delay for Reactive Power.
CREEP_THRESHOLD_MINUTE	8	R/W	No Load threshold time (minutes).
CREEP_THRESHOLD_SECOND	8	R/W	No Load threshold time (seconds).
ENERGY_ACT_FORWARD	32	R/W	Forward Active Energy.
ENERGY_ACT_REVERSE	32	R/W	Reverse Active Energy.
ENERGY_REACT_INDUCTIVE	32	R/W	Inductive Reactive Energy.
ENERGY_REACT_CAPACITIVE	32	R/W	Capacitive Reactive Energy.

3.3 MODE

The MODE register controls the operation of the energy meter. The bit functions are defined by the table below.

REGISTER 3-1: MODE REGISTER

U-0	U-0	U-0	U-0	R/W-0	R/W-0	R/W-0	R/W-0
—	—	—	—	CF	ABSOLUTE	PHASE	CREEP
bit 7							bit 0

Legend:

R = Readable bit	W = Writable bit	U = Unimplemented bit, read as '0'
-n = Value at POR	'1' = Bit is set	'0' = Bit is cleared
		x = Bit is unknown

bit 7-4 **Unimplemented:** Read as '0'.

bit 3 **CF:** Active Energy CF Phase Enable bit

1 = Bit = 1 Phase is enabled to be accumulated into the total energy registers or CF pulse output

0 = Bit = 0 Phase is DISABLED and is not accumulated into the total energy registers or CF pulse output

bit 2 **ABSOLUTE** Positive Only Energy Accumulation Mode bit

1 = Bit = 1 Positive energy only

0 = Bit = 0 Both negative and positive energy accumulated (negative energy is subtracted)

bit 1 **PHASE:** Phase bit

1 = Single Point Phase Correction

0 = Multi-Point Phase Correction (future)

bit 0 **CREEP:** No-Load Threshold bit

1 = Enabled

0 = Disabled

Energy Monitoring PICtail™ Plus Daughter Board User's Guide

3.4 STATUS

The STATUS register contains the operational status of the energy meter. The bit functions are defined in the table below.

REGISTER 3-2: STATUS REGISTER

U-0	U-0	U-0	U-0	U-0	U-0	R	U-0
—	—	—	—	—	—	PH_S	—
bit 7						bit 0	

Legend:

R = Readable bit	W = Writable bit	U = Unimplemented bit, read as '0'	
-n = Value at POR	'1' = Bit is set	'0' = Bit is cleared	x = Bit is unknown

- bit 7-2 **Unimplemented:** Read as '0'
- bit 1 **PH_S:** Phase Sign bit
 1 = CT may be in backward (if enabled)
 0 = Operation normal
- bit 0 **Unimplemented:** Read as '0'

Calculation Engine and Register Description

3.5 CAL_CONTROL

This is the Calibration mode control register. Bit 0 enables the Calibration mode. In this mode, the power meter operates as normal, but no updates are made to the voltage, current, power or energy registers as long as bit 1 is low. When bit 1 is set high, the registers are updated for LINE_CYC line cycles (only power and energy registers are updated). After this time, bit 1 is set low by the PIC18F87J72 and the update of the registers will stop. This allows the calibration software to set bit 0, clear the registers, set bit 1 and start reading the desired registers, as well as the CAL_CONTROL register, to check the status of bit 1. When bit 1 goes low, the LINE_CYC line cycles have passed and the registers are final. Note that bit 0 takes effect immediately, and bit 1 will take effect on the very next line cycle. When bit 1 goes low, all registers will be ready to read.

REGISTER 3-3: CAL_CONTROL REGISTER (NOTE 1)

U-0	U-0	U-0	U-0	U-0	U-0	R/W-0	R/W-0
—	—	—	—	—	Reserved	CAL_UPDATE	CAL_MODE
bit 7						bit 0	

Legend:

R = Readable bit	W = Writable bit	U = Unimplemented bit, read as '0'
-n = Value at POR	'1' = Bit is set	'0' = Bit is cleared x = Bit is unknown

bit 7-3 **Unimplemented:** Read as '0'

bit 2 **Reserved:**

bit 1 **CAL_UPDATE:** Calibration Update bit

Power and energy registers updated for LINE_CYC line cycles when cleared. Bit must be set for registers to begin updating, which starts on the next line cycle after bit is set.

- 1 = When the CAL_MODE bit is set, set the CAL_UPDATE bit to enable update of power and energy registers starting on next line cycle. Bit = 1 Single Point Phase Correction
- 0 = When the CAL_MODE bit is set and the CAL_UPDATE bit has been set, the CAL_UPDATE bit will be cleared after LINE_CYC line cycles. At that point, all registers will be updated and no further updates will be done until the CAL_UPDATE bit is set again, or the CAL_MODE bit is cleared.

bit 0 **CAL_MODE:** Calibration Mode bit

This bit enables Calibration mode.

- 1 = Calibration mode enabled
- 0 = Calibration mode disabled

Note 1: This register is used in Multi-Point and Single Point Calibration modes only.

3.6 LINE_CYC

Name	Bits	Cof
LINE_CYC	16	R/W

Number of line cycles as a power of two. A setting of 0 indicates 2^0 or one line cycle. A setting of 1 is two line cycles (2^1), a setting of 2 is four lines cycles (2^2), up to a setting of eight, which is 256 line cycles. When written, this register will not take effect until the previous number of line cycles has been acquired.

3.7 LINE_CYC_CNT

Name	Bits	Cof
LINE_CYC_CNT	16	R

This register counts from 0 and finishes at $2^{(\text{LINE_CYC} - 1)}$. Then re-starts at 0, where LINE_CYC represents the value in the LINE_CYC register.

3.8 RAW2_I_RMS

Name	Bits	Cof
RAW2_I_RMS	64	R

This register is the square of the raw RMS value from the current A/D converter in LSBs. By definition, this register will always contain a positive value, including the situation where power is negative from a backwards CT or otherwise. This register is overwritten every LINE_CYC line cycle and is written only once, if the calibration is enabled.

3.9 RAW_I_RMS

Name	Bits	Cof
RAW_I_RMS	16	R

This register is the raw RMS value from the current A/D converter in LSBs (square root of the top 32-bits of (RAW2_I_RMS + OFFSET_I_RMS)). By definition, this register will always contain a positive value (even if the CT is in backwards). This register is overwritten every LINE_CYC line cycle and is written only once, if the calibration is enabled.

3.10 I_RMS

Name	Bits	Cof
I_RMS	16	R

This register is the RMS value of phase A current in X A/LSB, as determined by the value in the GAIN_I_RMS register. When displaying the RMS current, multiply the (decimal) value in these registers by X to get the display value in Amperes. This register is overwritten every LINE_CYC line cycle (written only once if the calibration is enabled).

Calculation Engine and Register Description

3.11 RAW2_V_RMS

Name	Bits	Cof
RAW2_V_RMS	64	R

This register is the square of the raw RMS value from the voltage A/D converter in LSBs. By definition, it will always contain a positive value. This register is overwritten every LINE_CYC line cycle (written only once if the calibration is enabled).

3.12 RAW_V_RMS

Name	Bits	Cof
RAW_V_RMS	16	R

This is the raw RMS value from the voltage A/D converter in LSBs (square root of the top 32-bits of RAW2_V_RMS + OFFSET_V_RMS). By definition, this register will always contain a positive value. The register is overwritten every LINE_CYC line cycle (written only once if the calibration is enabled).

3.13 V_RMS

Name	Bits	Cof
V_RMS	16	R

This register is the RMS value of the voltage, in X 0.01 V/LSB, as determined by the value in the GAIN_V_RMS register. When displaying the RMS voltage, assume a calibrated meter exists and multiply the (decimal) value in these registers by X to get the display value in Volts. This register is overwritten every LINE_CYC line cycle (written only once if the calibration is enabled).

3.14 LINE_FREQUENCY

Name	Bits	Cof
LINE_FREQUENCY	16	R

This register holds the measured line frequency using the zero crossing technique.

3.15 RAW_POWER_ACT

Name	Bits	Cof
RAW_POWER_ACT	64	R

This register is the raw active power, as it represents the sum of current A/D value times voltage A/D value results over LINE_CYC line cycles (each line cycle has 128 results). Each current times voltage multiplication results in a 32-bit word. There are up to 256 line cycles with each line cycle being 128 results, and each result being 32-bit. Thus, 48 bits are needed. This is the register to be read during calibration for calculating the offset and gain values associated with active power, OFFSET_POWER_ACT and GAIN_POWER_ACT. This register is overwritten every line cycle, however if the calibration is enabled, the updates will stop once the LINE_CYC line cycles have elapsed.

3.16 POWER_ACT

Name	Bits	Cof
POWER_ACT	32	R

This register is the value for active power. The goal of the calibration is to get this register value to equal X W/LSB. This is done with the OFFSET_POWER_ACT and GAIN_POWER_ACT registers. When displaying the power, multiply the (decimal) value in this register by X to get the display value in Watts. This register is overwritten every LINE_CYC line cycle (written only once if the calibration is enabled).

3.17 POWER_APP

Name	Bits	Cof
POWER_APP	32	R

This is the value of the apparent power. The goal of the calibration is to get this value to equal X VA/LSB. This is done with the GAIN_POWER_APP registers. When displaying the power for phase A, multiply the (decimal) value in this register by X to get the display value in Watts. This register is overwritten every LINE_CYC line cycle (written only once if the calibration is enabled).

3.18 RAW_POWER_REACT

Name	Bits	Cof
RAW_POWER_REACT	64	R

This is the raw reactive power. This register is read during the calibration for calculating the gain values associated with the reactive power and GAIN_POWER_REACT. This register is overwritten every LINE_CYC line cycle (written only once if the calibration is enabled). This register is accumulated once a line-cycle basis.

Calculation Engine and Register Description

3.19 POWER_REACT

Name	Bits	Cof
POWER_REACT	32	R

This is the value for reactive power. The goal is to get this value to equal X VAR/LSB. This is done with the GAIN_POWER_REACT register. When displaying the power, multiply the (decimal) value in this register by X to get the display value in Watts. This register is overwritten every LINE_CYC line cycle (written only once if the calibration is enabled).

3.20 PERIOD

Name	Bits	Cof
PERIOD	32	R

This 32-bit register represents the total number of clock ticks that elapsed over the most recent LINE_CYC line cycle. Each LSB represents 1.6 μ s with a 40 MHz clock on the microcontroller. This register is overwritten every LINE_CYC line cycle (written only once if the calibration is enabled).

3.21 ENERGY_ACT

Name	Bits	Cof
ENERGY_ACT	32	R
RAW_ENERGY_ACT	64	R

The design updates the Energy register using the CF Pulse blink output count. In this method, the Energy registers increments every pulse by a value equal to $1/(\text{METER_CONSTANT})$.

$$\text{ENERGY_W} = \text{ENERGY_W} + (1/\text{METER_CONSTANT})$$

The gain calibration registers GAIN_NUMR_ENERGY_ACT and GAIN_DENR_ENERGY_ACT hold good for this method also.

3.22 ENERGY_APP

Name	Bits	Cof
ENERGY_APP	32	R
RAW_ENERGY_APP	64	R

These two registers represent the total apparent energy accumulated so far.

3.23 I_ABS_MAX

Name	Bits	Cof
I_ABS_MAX	8	R

NOT IMPLEMENTED IN THIS FIRMWARE/SOFTWARE RELEASE.

3.24 V_ABS_MAX

Name	Bits	Cof
V_ABS_MAX	8	R/W

NOT IMPLEMENTED IN THIS FIRMWARE/SOFTWARE RELEASE.

3.25 ENERGY_REACT

Name	Bits	Cof
ENERGY_REACT	32	R
RAW_ENERGY_REACT	64	R

The design updates the reactive energy registered using the CF Pulse blink output count too. In this method, the Energy registers increments every pulse by a value equal to $1/(\text{METER_CONSTANT})$.

$$\text{ENERGY_REACT} = \text{ENERGY_REACT} + (1/\text{METER_CONSTANT})$$

The gain calibration registers GAIN_NUMR_ENERGY_ACT and GAIN_DENR_ENERGY_ACT hold good for this method also.

3.26 PHASE_COMPENSATION

Name	Bits	Cof
PHASE_COMPENSATION	8	R/W

Phase delay, signed 8-bit value, provides the phase compensation by sampling time/2.

3.27 OFFSET_I_RMS

Name	Bits	Cof
OFFSET_I_RMS	16	R/W

Square of the offset for RMS current reading, signed 16-bit value. Note that this value should be similar to the ADC's noise squared. At a gain of 1, the noise will be about 1 LSB, 2 LSBs at a gain of 2, 6 LSBs at a gain of 8, 11 LSBs at a gain of 16, and 22 LSBs at a gain of 32. There may be other sources of noise. Using the square of the offset allows for higher accuracy. The value will be added before the square root is taken when calculating the final RMS value.

Calculation Engine and Register Description

3.28 OFFSET_V_RMS

Name	Bits	Cof
OFFSET_V_RMS	16	R/W

Square of offset for RMS voltage reading, signed 8-bit value. Note that this value should be similar to the ADC's noise squared. For the voltage channel, the noise will be about 1 LSB. There may be other sources of noise. Using the square of the offset allows for higher accuracy. The value will be added before the square root is taken when calculating the final RMS value.

3.29 GAIN_I_RMS

Name	Bits	Cof
GAIN_I_RMS	16	R/W

Current gain to produce X A/LSB. The value is always less than one (for example, $32,767 = 0.9999695$).

3.30 GAIN_V_RMS

Name	Bits	Cof
GAIN_V_RMS	16	R/W

Voltage gain to produce 0.1 V/LSB in the V_RMS register. The value is always less than one (for example, $32,767 = 0.9999695$).

3.31 OFFSET_POWER_ACT

Name	Bits	Cof
OFFSET_POWER_ACT	32	R/W

Active power offset (this is a straight offset, not the square, as with voltage and current). A much larger value is needed because the power is a running sum. This is a 32-bit signed value.

3.32 GAIN_POWER_ACT

Name	Bits	Cof
GAIN_POWER_ACT	16	R/W

Active power gain to produce X W/LSB. The value is always less than one (for example, $32,767 = 0.9999695$).

3.33 OFFSET_POWER_REACT

Name	Bits	Cof
OFFSET_POWER_REACT	32	R/W

Reactive power offset (this is a straight offset, not the square, as with voltage and current). A much larger value is needed because the power is a running sum. This is a 32-bit signed value.

3.34 GAIN_POWER_REACT

Name	Bits	Cof
GAIN_POWER_REACT	16	R/W

Reactive power gain to produce X W/LSB. The value is always less than one (for example, $32,767 = 0.9999695$).

3.35 GAIN_ENERGY_ACT

Name	Bits	Cof
GAIN_ENERGY_ACT	16	R/W

Active energy gain to produce X Wh/LSB. The value is always less than one (for example, $32,767 = 0.9999695$).

3.36 GAIN_ENERGY_APP

Name	Bits	Cof
GAIN_ENERGY_APP	16	R/W

Apparent energy gain to produce X VAh/LSB. The value is always less than one (for example, $32,767 = 0.9999695$).

3.37 GAIN_ENERGY_REACT

Name	Bits	Cof
GAIN_ENERGY_REACT	16	R/W

Reactive energy gain to produce X VARh/LSB. The value is always less than one (for example, $32,767 = 0.9999695$).

Calculation Engine and Register Description

3.38 CF_PULSE_WIDTH

Name	Bits	Cof
CF_PULSE_WIDTH	8	R/W

Defines the CF pulse width from 0 to 255. Length of width is valued $* 8 * (1/\text{LINE_FREQUENCY})/128$ ms. A maximum of 0.266 seconds for 60 Hz and 0.319 seconds for 50 Hz.

If the value is 0, no CF pulse is produced.

3.39 GAIN_DENR_ENERGY_ACT

Name	Bits	Cof
GAIN_DENR_ENERGY_ACT	8	R/W

8-bit signed value. Represents the number of shifts for active power energy register ENERGY_ACT before GAIN_DENR_ENERGY_ACT is applied.

3.40 GAIN_NUMR_ENERGY_ACT

Name	Bits	Cof
GAIN_NUMR_ENERGY_ACT	16	R/W

Active power gain to produce a specified pulses per watt-hour. The value is always less than one (for example, $32,767 = 0.9999695$).

3.41 MODE1_DEF

Name	Bits	Cof
MODE1_DEF	16	R/W

MODE default power-up settings. On power-up, this register will be read and placed into the MODE register.

Energy Monitoring PICtail™ Plus Daughter Board User's Guide

3.42 CAL_STATUS

The CAL_STATUS register holds the calibration status for each individual phase. Broken down by phase, these are the values that can be calibrated. Each bit has the status of 0 = NOT Calibrated, 1 = CALIBRATED.

REGISTER 3-4: CAL_STATUS REGISTER

R/W-0	R/W-0	R/W-0	U-0	U-0	R/W-0	R/W-0	R/W-0
PHASE_COM PENSATION	OFFSET_I_ RMS	OFFSET_V_ RMS	—	—	GAIN_I_RMS	GAIN_V_RMS	OFFSET_PO WER_ACT
bit 15							bit 8

U-0	R/W-0	U-0	U-0	U-0	R/W-0	U-0	U-0
—	GAIN_POW ER_ACT	—	—	—	GAIN_POWE R_REACT	—	—
bit 7							bit 0

Legend:

R = Readable bit	W = Writable bit	U = Unimplemented bit, read as '0'
-n = Value at POR	'1' = Bit is set	'0' = Bit is cleared
		x = Bit is unknown

bit 15-0 **All bits:** Calibration Register Status bits
 1 = This register has been calibrated
 0 = This register is NOT calibrated

3.43 MAXIMUM CURRENT

Name	Bits	Cof
MAXIMUM_CURRENT	16	R/W

This register holds the maximum current for the meter (I_{MAX}).

3.44 CALIBRATION_VOLTAGE

Name	Bits	Cof
CALIBRATION_VOLTAGE	16	R/W

This register holds the calibration voltage of the meter (V_{CAL}).

3.45 CALIBRATION_CURRENT

Name	Bits	Cof
CALIBRATION_CURRENT	16	R/W

This register holds the calibration current of the meter (I_{CAL}).

Calculation Engine and Register Description

3.46 CALIBRATION_FREQUENCY

Name	Bits	Cof
CALIBRATION_FREQUENCY	16	R/W

This register holds the calibration frequency of the meter.

3.47 METER_CONSTANT

Name	Bits	Cof
METER_CONSTANT	16	R/W

This register holds the meter constant in imp/kWh or imp/kVARh.

3.48 CALIBRATION_LINE_CYCLE

Name	Bits	Cof
CALIBRATION_FREQUENCY	16	R/W

This register holds the number of line cycles used during the calibration.

3.49 GAIN_DENR_ENERGY_REACT

Name	Bits	Cof
GAIN_DENR_ENERGY_REACT	8	R/W

8-bit signed value. Represents the number of shifts for reactive power energy register, before GAIN_NUMR_ENERGY_REACT is applied.

3.50 GAIN_NUMR_ENERGY_REACT

Name	Bits	Cof
GAIN_NUMR_ENERGY_REACT	16	R/W

Reactive power gain to produce a specified pulse per VAR-hour. The value is always less than one (for example, $32,767 = 0.9999695$).

3.51 PHASE_COMPENSATION_90

Name	Bits	Cof
PHASE_COMPENSATION_90	8	R/W

Phase delay for reactive power, signed 8-bit value, sampling time/2.

3.52 CREEP_THRSHOLD_MINUTE

Name	Bits	Cof
CREEP_THRSHOLD_MINUTE	8	R/W

This 8-bit register holds the decimal representation of the creep threshold time in minutes (total creep is minutes + seconds register).

3.53 CREEP_THRSHOLD_SECOND

Name	Bits	Cof
CREEP_THRSHOLD_SECOND	8	R/W

This 8-bit register holds the decimal representation of the creep threshold time in seconds (total creep is minutes + seconds register).

3.54 ENERGY_ACT_FORWARD

Name	Bits	Cof
ENERGY_ACT_FORWARD	32	R/W

This 32-bit register is the accumulated active energy in the forward direction only.

The design updates the Energy register using the CF Pulse blink output count. In this method, the Energy registers increments every pulse by a value equal to $1/(\text{METER_CONSTANT})$.

3.55 ENERGY_ACT_REVERSE

Name	Bits	Cof
ENERGY_ACT_REVERSE	32	R/W

This 32-bit register is the accumulated active energy in the reverse direction only.

The design updates the Energy register using the CF Pulse blink output count. In this method, the Energy registers increments every pulse by a value equal to $1/(\text{METER_CONSTANT})$.

3.56 ENERGY_REACT_INDUCTIVE

Name	Bits	Cof
ENERGY_REACT_INDUCTIVE	32	R/W

This 32-bit register is the accumulated reactive energy in the inductive quadrants only.

The design updates the Energy register using the CF Pulse blink output count. In this method, the Energy registers increments every pulse by a value equal to $1/(\text{METER_CONSTANT})$.

Calculation Engine and Register Description

3.57 ENERGY_REACT_CAPACITIVE

Name	Bits	Cof
ENERGY_REACT_CAPACITIVE	32	R/W

This 32-bit register is the accumulated reactive energy in the capacitive quadrants only.

The design updates the Energy register using the CF Pulse blink output count. In this method, the Energy registers increments every pulse by a value equal to $1/(\text{METER_CONSTANT})$.

Energy Monitoring PICtail™ Plus Daughter Board User's Guide

NOTES:



ENERGY MONITORING PICtail™ PLUS DAUGHTER BOARD USER'S GUIDE

Appendix A. Schematic and Layouts

A.1 INTRODUCTION

This appendix contains the following schematics and layouts for the Energy Monitoring PICtail™ Plus Daughter Board User's Guide:

- Board – Schematic
- Board – Schematic Isolation
- Board – Top Silk
- Board – Top Traces and Pads
- Board – Top Traces and Silk
- Board – Bottom Traces and Pads
- Board – Bottom Silk

A.2 SCHEMATICS AND PCB LAYOUT

The layer order is shown in Figure A-1.

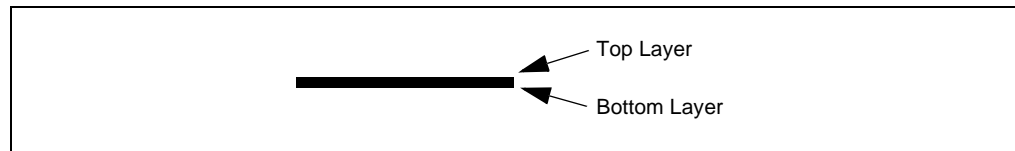
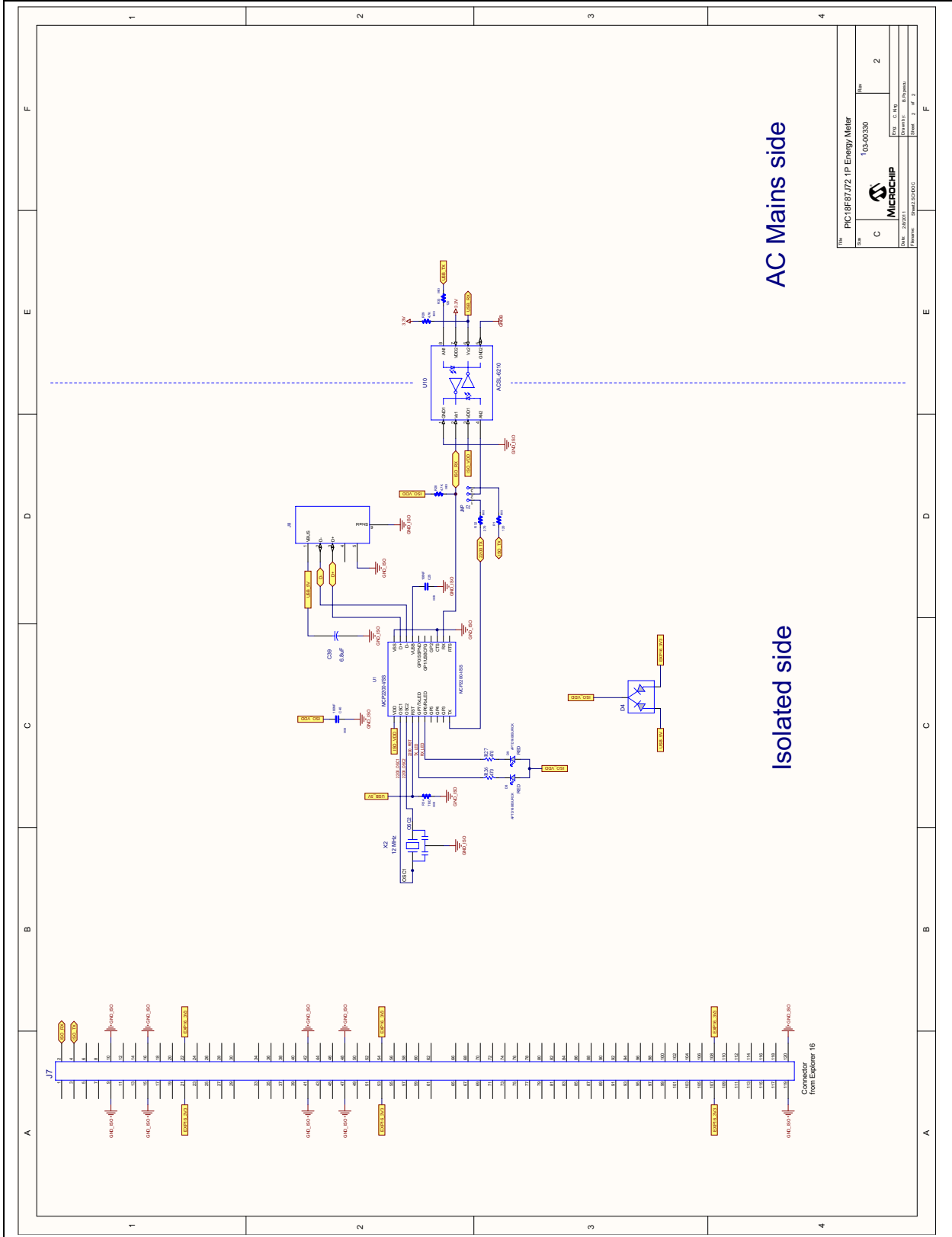


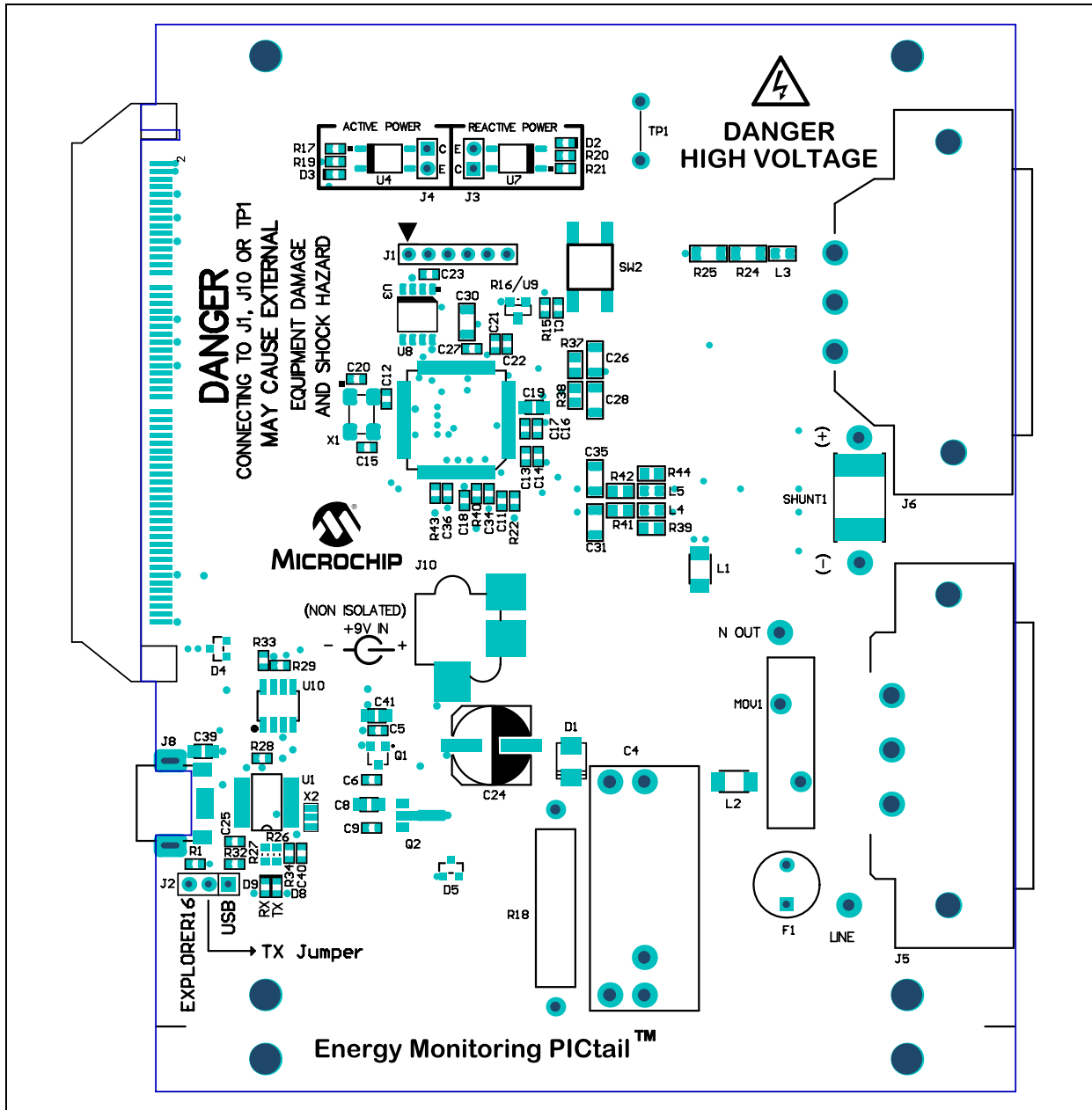
FIGURE A-1: *Layer Order.*

A.4 BOARD – SCHEMATIC ISOLATION

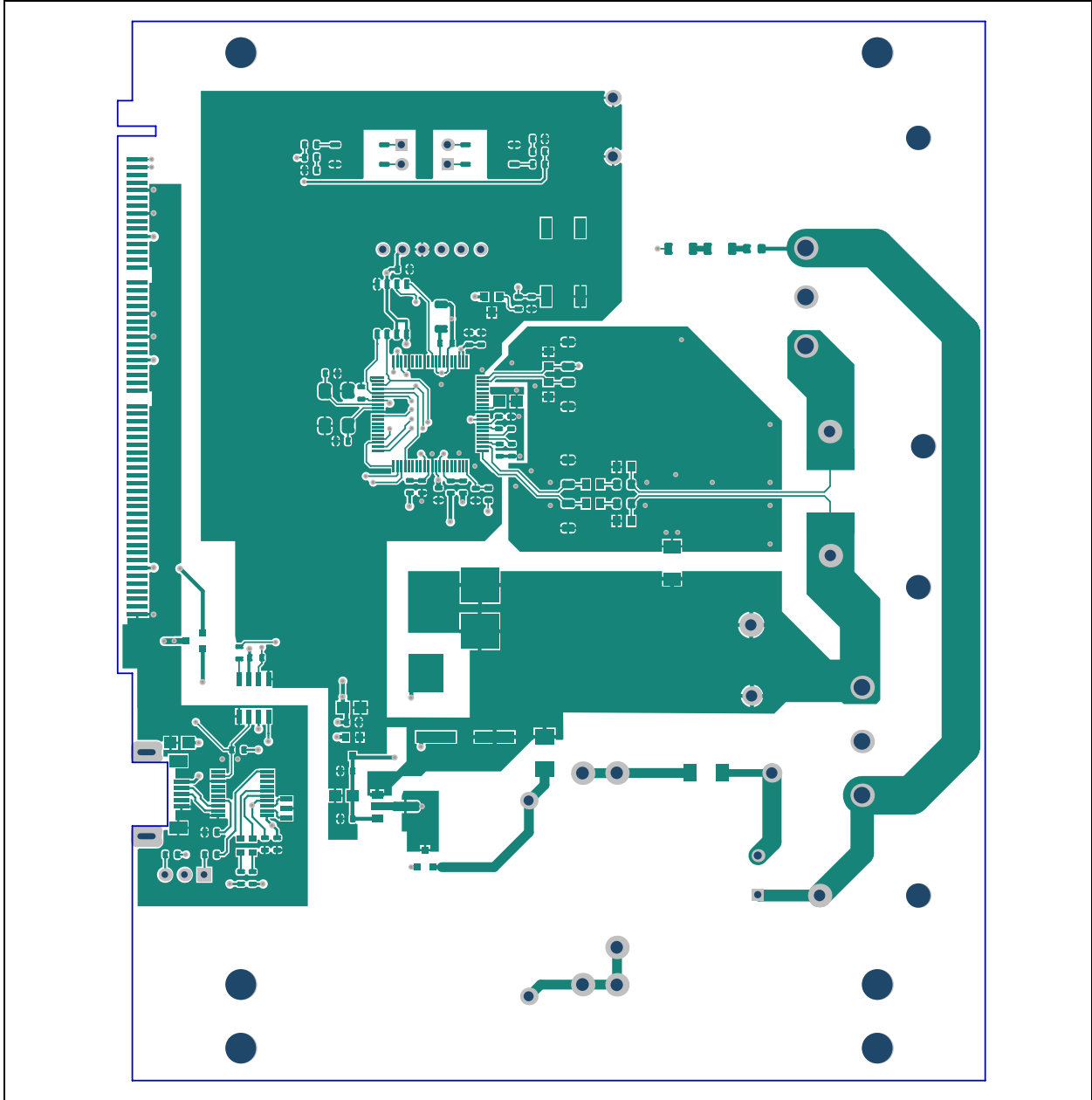


Rev	PIC18F87J72-1P Energy Meter	Rev	2
Doc. No.	105-00330	Doc. No.	
Doc. C. No.		Doc. C. No.	
Doc. E. No.		Doc. E. No.	
Doc. F. No.		Doc. F. No.	
Doc. G. No.		Doc. G. No.	
Doc. H. No.		Doc. H. No.	
Doc. I. No.		Doc. I. No.	
Doc. J. No.		Doc. J. No.	
Doc. K. No.		Doc. K. No.	
Doc. L. No.		Doc. L. No.	
Doc. M. No.		Doc. M. No.	
Doc. N. No.		Doc. N. No.	
Doc. O. No.		Doc. O. No.	
Doc. P. No.		Doc. P. No.	
Doc. Q. No.		Doc. Q. No.	
Doc. R. No.		Doc. R. No.	
Doc. S. No.		Doc. S. No.	
Doc. T. No.		Doc. T. No.	
Doc. U. No.		Doc. U. No.	
Doc. V. No.		Doc. V. No.	
Doc. W. No.		Doc. W. No.	
Doc. X. No.		Doc. X. No.	
Doc. Y. No.		Doc. Y. No.	
Doc. Z. No.		Doc. Z. No.	

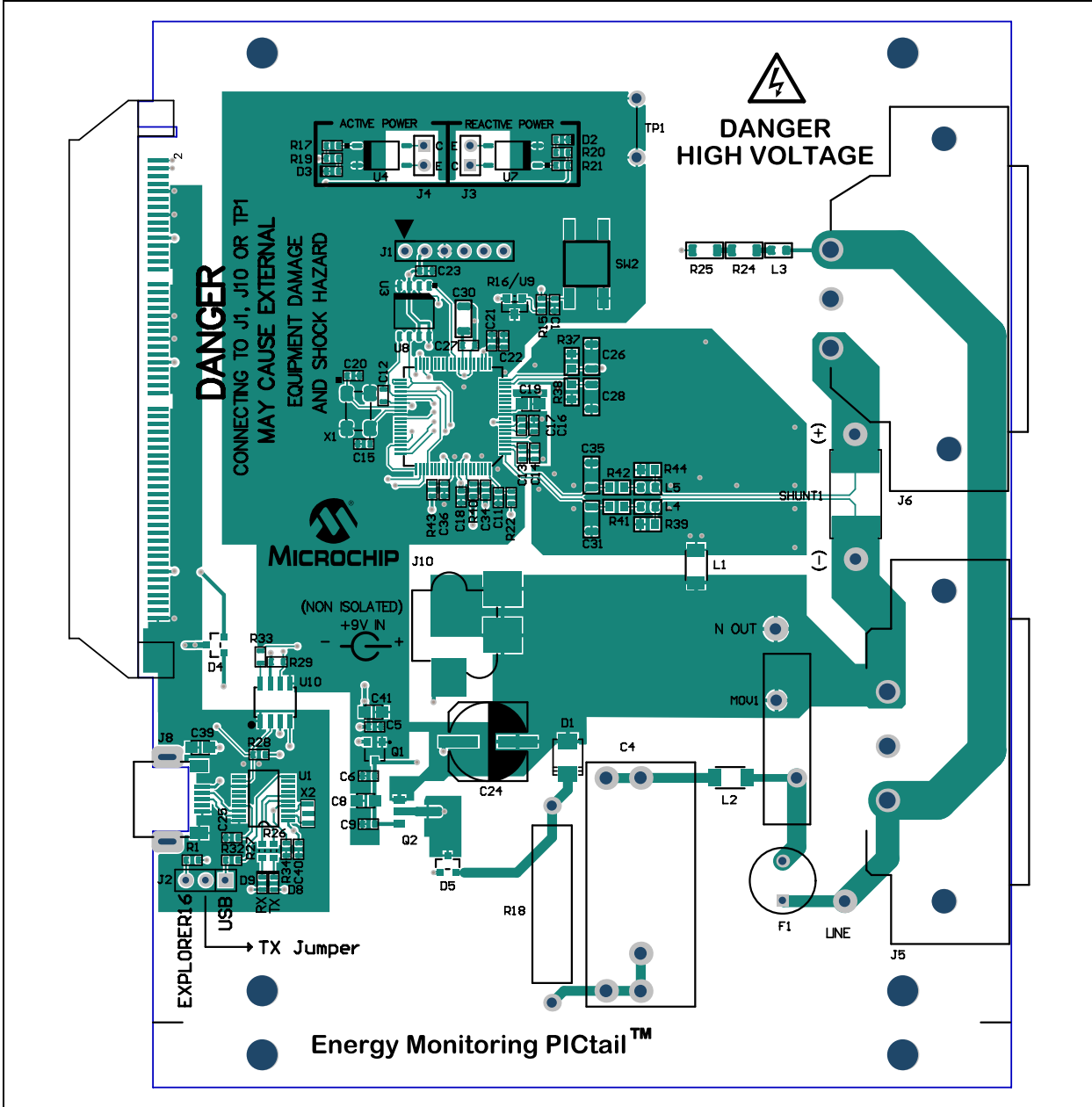
A.5 BOARD – TOP SILK



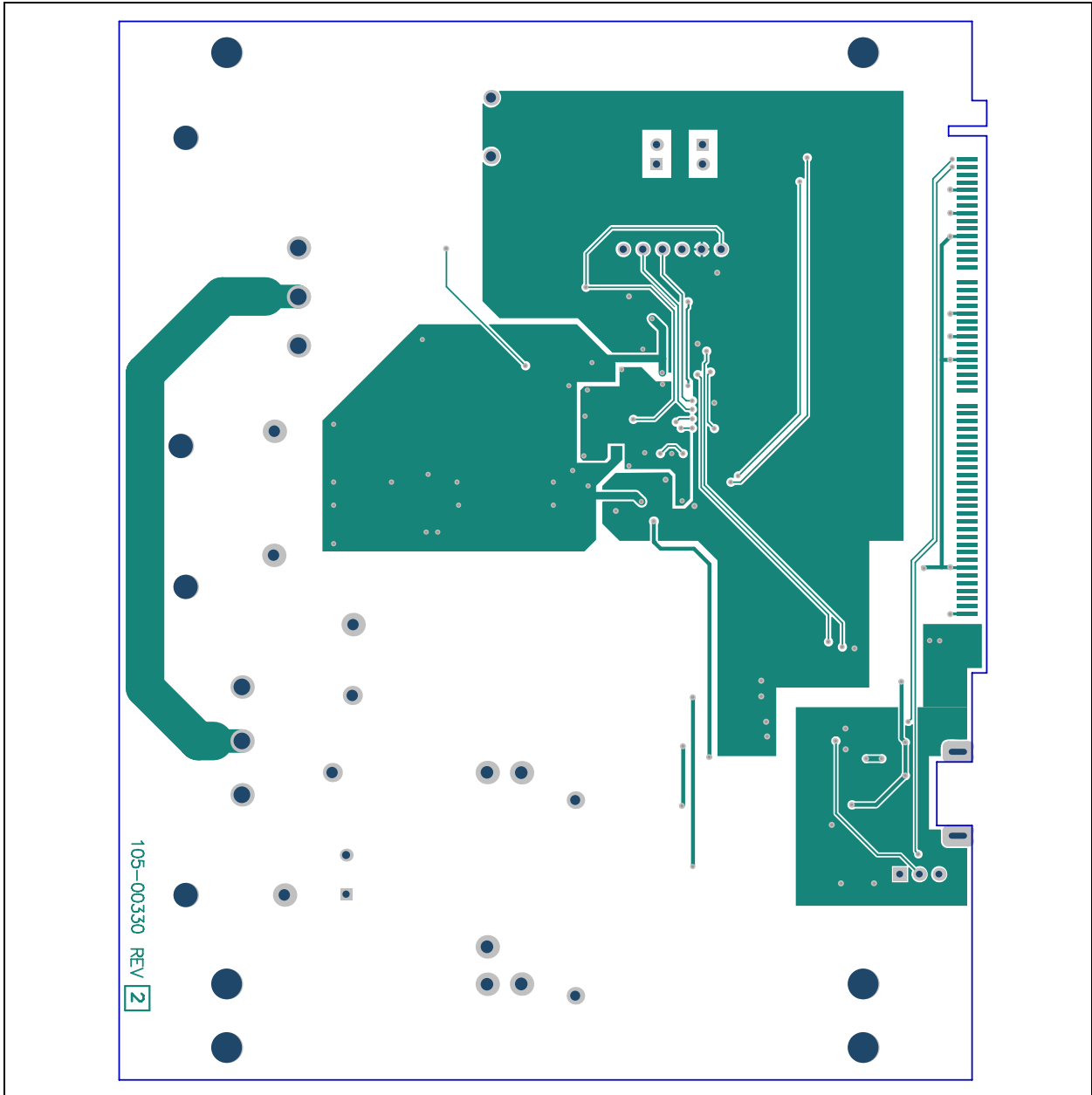
A.6 BOARD – TOP TRACES AND PADS



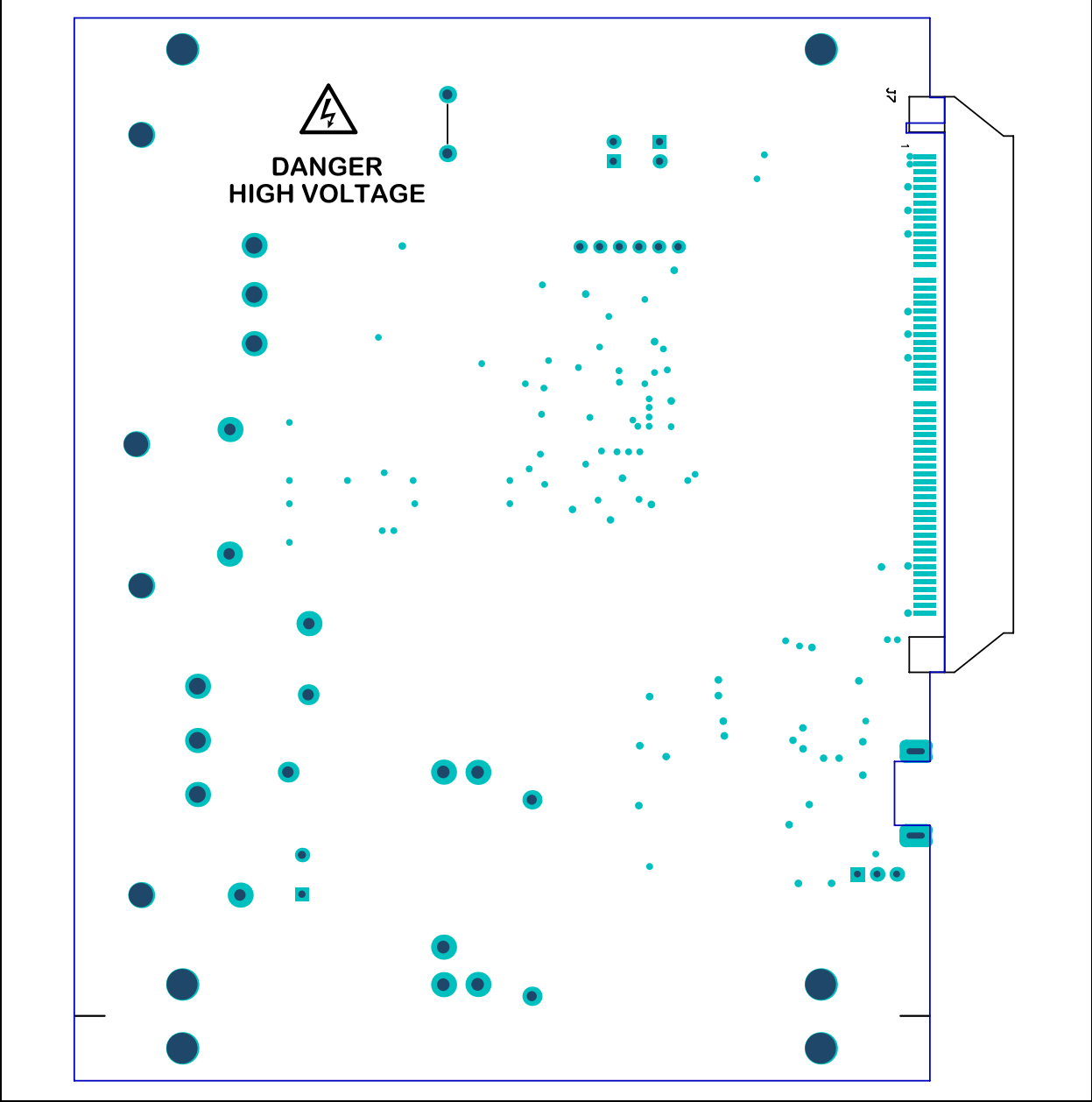
A.7 BOARD – TOP TRACES AND SILK



A.8 BOARD – BOTTOM TRACES AND PADS



A.9 BOARD – BOTTOM SILK





ENERGY MONITORING PICtail™ PLUS DAUGHTER BOARD USER'S GUIDE

Appendix B. Bill of Materials (BOM)

TABLE B-1: BILL OF MATERIALS (BOM)

Qty	Reference	Description	Manufacturer	Part Number
15	C1, C5, C6, C9, C12, C18, C21, C22, C23, C25, C27, C34, C36, C40	CAP .1UF 16V CERAMIC Y5V 0603	Panasonic® – ECG	ECJ-1VF1C104Z
1	C4	CAP 1.5UF 250/275VAC ECQ-UL	Panasonic – ECG	ECQ-U2A155ML
3	C8, C19, C41	CAP CER 10UF 6.3V Y5V 0805	Murata Manufacturing Co., Ltd.	GRM21BF50J106ZE01L
5	C11, C13, C14, C16, C17	CAP CER 47000PF 25V 10% X7R 0603	Murata Manufacturing Co., Ltd.	GRM188R71E473KA01D
2	C15, C20	CAP CERAMIC 27PF 50V NP0 0603	Kemet	C0603C270J5GACTU
2	C24	CAP 470UF 25V ELECT FC SMD	Panasonic – ECG	EEV-FC1E471P
4	C26, C28, C31, C35	CAP CER 6800PF 50V 5% C0G 1206	Murata Manufacturing Co., Ltd.	GRM3195C1H682JA01D
1	C30	CAP Tantalum A 10uF 6.3V	AVX Corporation	TAJA106M006RNJ
1	C39	CAP CERAMIC 6.8UF 6.3V X5R 0805	Kemet	C0805C685K9PACTU
1	D1	Transient Voltage Suppressors 8.5V, Peak Pulse 600W, 41.7A	Littelfuse® Inc.	SMBJ8.5A
4	D2, D3, D8, D9	LED – SMD Helios SMD Red	Kingbright Corporation	APTD1608SURCK
1	D4	SCHOTTKY DIODE G3010BER/SOD	NXP Semiconductors	PMEG3005CT,215
1	D5	SCHOTTKY DIODE G3010BER/SOD	NXP Semiconductors	3005CT,215
1	F1	Fuses 250V IEC LL .200A TR5	Littelfuse Inc.	37002000000
1	J1	6 X 1 Header 2.54mm on center 6 mm/2.5mm	Samtec, Inc	TSW-106-07-G-S
1	J2	3 x 1 Header 2.54mm	—	—
0	J3, J4	CONN HEADER 2POS .100 VERT TIN	Molex® Electronics	22-28-4020
1	J5	MOD INLET ANG GND W/M3 HOLE PCB	Schurter Electronic Components	GSP1.9103.1
1	J6	MODULE PWR OUTLET F SCREW-ON PCB	Schurter Electronic Components	6182.0033
1	J7	MINI EDGE CARD CONNECTOR 1.MM	Samtec, Inc	MEC1-160-02-S-D-EM2

Note 1: The components listed in this Bill of Materials are representative of the PCB assembly. The released BOM used in manufacturing uses all RoHS-compliant components.

Energy Monitoring PICtail™ Plus Daughter Board User's Guide

TABLE B-1: BILL OF MATERIALS (BOM) (CONTINUED)

Qty	Reference	Description	Manufacturer	Part Number
1	J8	CONN RCPT USB MINI B MID MOUNT	Hirose Electric Co., Ltd.	UX60SD-MB-5S55
1	J10	CONN PWR JACK 2.5X5.5MM VERT SMD	CUI Inc.	PJ-006B-SMT
1	JMP	SHUNT ECONOMY 2POS .100 TIN (for J2)	Tyco Electronics	2-382811-1
2	L1, L2	FERRITE 300MA 150 OHM 1806 SMD	Laird Technologies®	LI1806C151R-10
3	L3, L4, L5	FERRITE 800MA 150 OHM 0805 SMD	Laird Technologies	LI0805H151R-10
1	MOV1	VARISTOR 275V RMS 20MM RADIAL	EPCOS AG.	S20K275E2
1	PCB	RoHS Compliant Bare PCB, Energy Monitoring PICtail™ Plus Daughter Board (PIC18F87J72)	—	104-00330
1	Q1	IIC LDO REG 200MA 3.3V SOT-23-3	Microchip Technology Inc.	MCP1700T-3302E/TT
1	Q2	IC REG LDO 5V 250MA SOT-89-3	Microchip Technology Inc.	MCP1702T-5002E/MB
2	R1, R33	RES SMT, 120-OHM 1/10W 5% 0603	Panasonic – ECG	ERJ-3GEYJ121V
1	R15	RES SMT, 1K-OHM 1/10W 5% 0603	Panasonic – ECG	ERJ-3GEYJ102V
2	R17, R21	RES 680 OHM 1/10W 5% 0603 SMD	Stackpole Electronics Inc.	RMCF0603JT680R
1	R18	RESISTOR SILICONE 33 OHM 5W	Ohmite® Mfg. Co.	45F33RE
2	R19, R20	RES SMT, 330-OHM 1/10W 5% 0603	Panasonic – ECG	ERJ-3GEYJ331V
0	R22	DO NOT POPULATE	—	—
2	R24, R25	RES 330K OHM 1/4W 5% 1206 SMD	Stackpole Electronics Inc	RMCF 1/8 330K 5% R
2	R26, R27	RES SMT, 470-OHM 1/10W 5% 0603	Panasonic – ECG	ERJ-3GEYJ471V
2	R16, R28, R29	RES SMT, 4.7K-OHM 1/10W 5% 0603	Panasonic – ECG	ERJ-3GEYJ472V
1	R32	RES SMT, 270-OHM 1/10W 5% 0603	Panasonic – ECG	ERJ-3GEYJ271V
0	R34	DO NOT POPULATE	—	—
4	R37, R38, R41, R42	RES 1.00K OHM 1/8W 1% 0805 SMD	Rohm Semiconductor	MCR10EZHF1001
2	R39, R44	RES 332K OHM 1/8W 1% 0805 SMD	Rohm Semiconductor	MCR10EZPF3323
2	R40, R43	RES SMT, 10-OHM 1/10W 5% 0603	Panasonic – ECG	ERJ-3GEYJ100V
1	SHUNT1	Precision Current Sensing Resistors 3 mΩ, 3W, tolerance:1.0%	ISOTEK Corporation	BVS-A-R003-1.0

Note 1: The components listed in this Bill of Materials are representative of the PCB assembly. The released BOM used in manufacturing uses all RoHS-compliant components.

Bill of Materials (BOM)

TABLE B-1: BILL OF MATERIALS (BOM) (CONTINUED)

Qty	Reference	Description	Manufacturer	Part Number
1	SW2	SWITCH TACT 6MM SMD MOM 230GF	Omron Corporation	B3S-1002 BY OMZ
1	TP1	Wire Test Point 0.3" Length	Component Corporation®	PJ-202-30
1	U2	IC USB TO UART 20-SSOP	Microchip Technology Inc.	MCP2200-I/SS
1	U3	IC EEPROM 256 KBIT 10 MHz 8-SOIC	Microchip Technology Inc.	25AA256-I/SN
2	U4, U7	PHOTOCOUPLER DARL OUT 4-SMD	Sharp® Electronics Corporation	PC365NJ0000F
1	U8	PIC18F Microcontroller with 32K bytes of Flash, 2048 bytes of RAM	Microchip Technology Inc.	PIC18F87J72-80I/PT
1	U9	DO NOT POPULATE	Microchip Technology Inc.	MCP130T-270I/TT
1	U10	OPTOCOUPLER DUAL BI 15MBD 8-SOIC	Avago Technologies	ACSL-6210-00RE
1	X1	CRYSTAL 10.0000 MHz 10PF SMD	Abracon Corporation	ABM3B-10.000MHZ-10-1-U-T
1	X2	RESONATOR 12.0 MHz CERAMIC	Murata Manufacturing Co., Ltd.	CSTCE12M0G55-R0
4	Ea Conner and center of PCB	BUMPON HEMISPHERE .63X.31 BLACK	3M	SJ-5027 (BLACK)

Note 1: The components listed in this Bill of Materials are representative of the PCB assembly. The released BOM used in manufacturing uses all RoHS-compliant components.

Energy Monitoring PICtail™ Plus Daughter Board User's Guide



MICROCHIP

Worldwide Sales and Service

AMERICAS

Corporate Office
2355 West Chandler Blvd.
Chandler, AZ 85224-6199
Tel: 480-792-7200
Fax: 480-792-7277
Technical Support:
<http://www.microchip.com/support>
Web Address:
www.microchip.com

Atlanta
Duluth, GA
Tel: 678-957-9614
Fax: 678-957-1455

Boston
Westborough, MA
Tel: 774-760-0087
Fax: 774-760-0088

Chicago
Itasca, IL
Tel: 630-285-0071
Fax: 630-285-0075

Cleveland
Independence, OH
Tel: 216-447-0464
Fax: 216-447-0643

Dallas
Addison, TX
Tel: 972-818-7423
Fax: 972-818-2924

Detroit
Farmington Hills, MI
Tel: 248-538-2250
Fax: 248-538-2260

Indianapolis
Noblesville, IN
Tel: 317-773-8323
Fax: 317-773-5453

Los Angeles
Mission Viejo, CA
Tel: 949-462-9523
Fax: 949-462-9608

Santa Clara
Santa Clara, CA
Tel: 408-961-6444
Fax: 408-961-6445

Toronto
Mississauga, Ontario,
Canada
Tel: 905-673-0699
Fax: 905-673-6509

ASIA/PACIFIC

Asia Pacific Office
Suites 3707-14, 37th Floor
Tower 6, The Gateway
Harbour City, Kowloon
Hong Kong
Tel: 852-2401-1200
Fax: 852-2401-3431

Australia - Sydney
Tel: 61-2-9868-6733
Fax: 61-2-9868-6755

China - Beijing
Tel: 86-10-8569-7000
Fax: 86-10-8528-2104

China - Chengdu
Tel: 86-28-8665-5511
Fax: 86-28-8665-7889

China - Chongqing
Tel: 86-23-8980-9588
Fax: 86-23-8980-9500

China - Hangzhou
Tel: 86-571-2819-3180
Fax: 86-571-2819-3189

China - Hong Kong SAR
Tel: 852-2401-1200
Fax: 852-2401-3431

China - Nanjing
Tel: 86-25-8473-2460
Fax: 86-25-8473-2470

China - Qingdao
Tel: 86-532-8502-7355
Fax: 86-532-8502-7205

China - Shanghai
Tel: 86-21-5407-5533
Fax: 86-21-5407-5066

China - Shenyang
Tel: 86-24-2334-2829
Fax: 86-24-2334-2393

China - Shenzhen
Tel: 86-755-8203-2660
Fax: 86-755-8203-1760

China - Wuhan
Tel: 86-27-5980-5300
Fax: 86-27-5980-5118

China - Xian
Tel: 86-29-8833-7252
Fax: 86-29-8833-7256

China - Xiamen
Tel: 86-592-2388138
Fax: 86-592-2388130

China - Zhuhai
Tel: 86-756-3210040
Fax: 86-756-3210049

ASIA/PACIFIC

India - Bangalore
Tel: 91-80-3090-4444
Fax: 91-80-3090-4123

India - New Delhi
Tel: 91-11-4160-8631
Fax: 91-11-4160-8632

India - Pune
Tel: 91-20-2566-1512
Fax: 91-20-2566-1513

Japan - Yokohama
Tel: 81-45-471- 6166
Fax: 81-45-471-6122

Korea - Daegu
Tel: 82-53-744-4301
Fax: 82-53-744-4302

Korea - Seoul
Tel: 82-2-554-7200
Fax: 82-2-558-5932 or
82-2-558-5934

Malaysia - Kuala Lumpur
Tel: 60-3-6201-9857
Fax: 60-3-6201-9859

Malaysia - Penang
Tel: 60-4-227-8870
Fax: 60-4-227-4068

Philippines - Manila
Tel: 63-2-634-9065
Fax: 63-2-634-9069

Singapore
Tel: 65-6334-8870
Fax: 65-6334-8850

Taiwan - Hsin Chu
Tel: 886-3-6578-300
Fax: 886-3-6578-370

Taiwan - Kaohsiung
Tel: 886-7-213-7830
Fax: 886-7-330-9305

Taiwan - Taipei
Tel: 886-2-2500-6610
Fax: 886-2-2508-0102

Thailand - Bangkok
Tel: 66-2-694-1351
Fax: 66-2-694-1350

EUROPE

Austria - Wels
Tel: 43-7242-2244-39
Fax: 43-7242-2244-393

Denmark - Copenhagen
Tel: 45-4450-2828
Fax: 45-4485-2829

France - Paris
Tel: 33-1-69-53-63-20
Fax: 33-1-69-30-90-79

Germany - Munich
Tel: 49-89-627-144-0
Fax: 49-89-627-144-44

Italy - Milan
Tel: 39-0331-742611
Fax: 39-0331-466781

Netherlands - Drunen
Tel: 31-416-690399
Fax: 31-416-690340

Spain - Madrid
Tel: 34-91-708-08-90
Fax: 34-91-708-08-91

UK - Wokingham
Tel: 44-118-921-5869
Fax: 44-118-921-5820

05/02/11