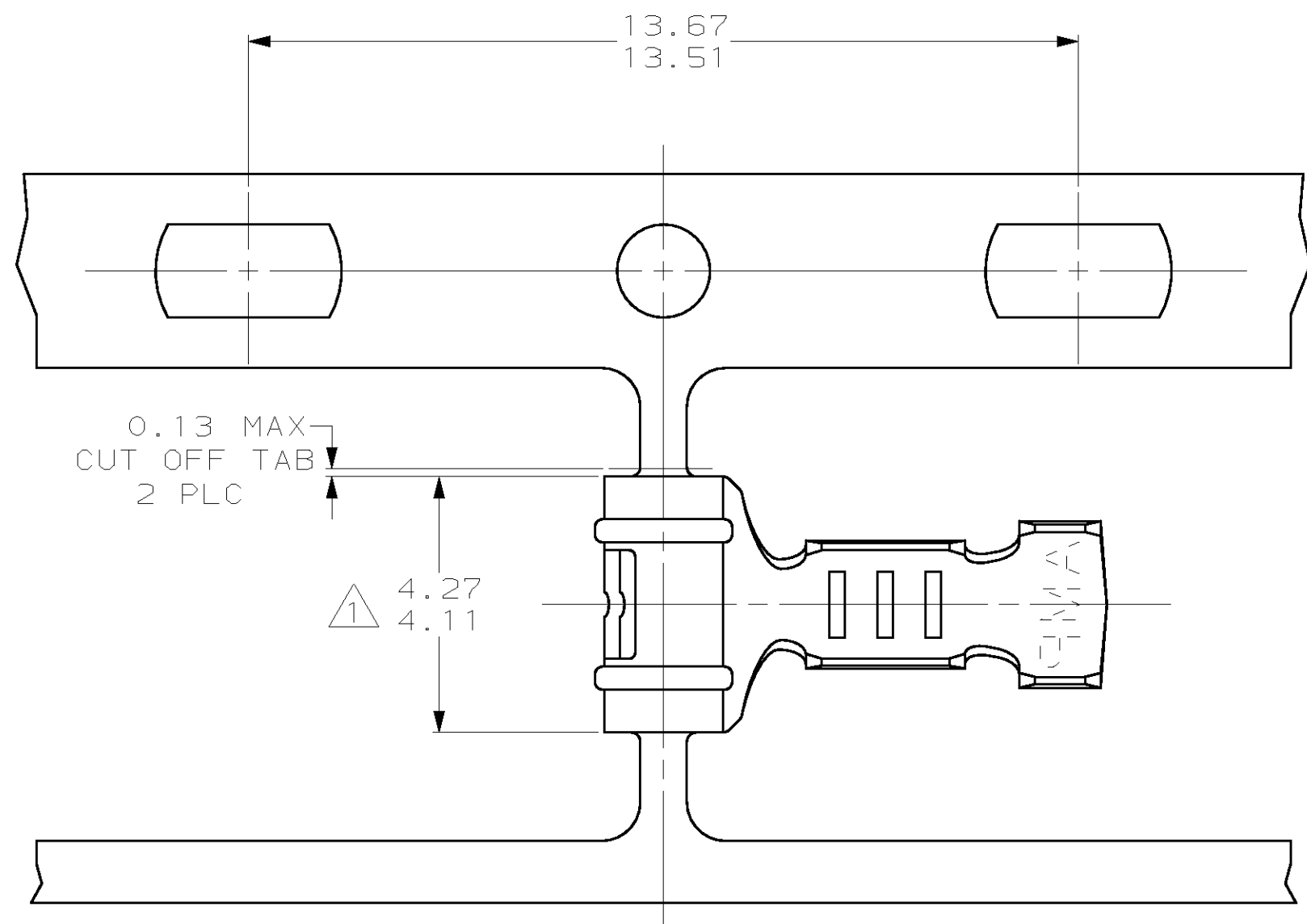
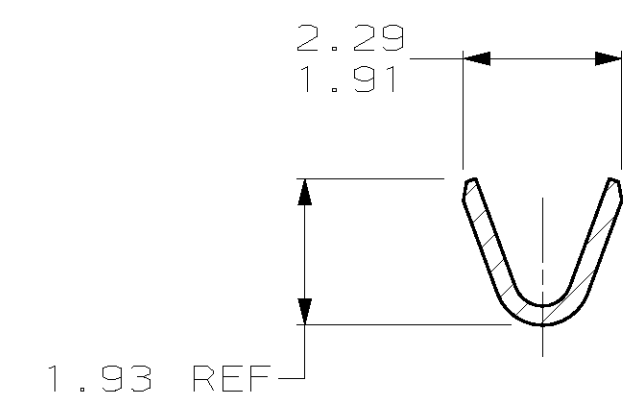
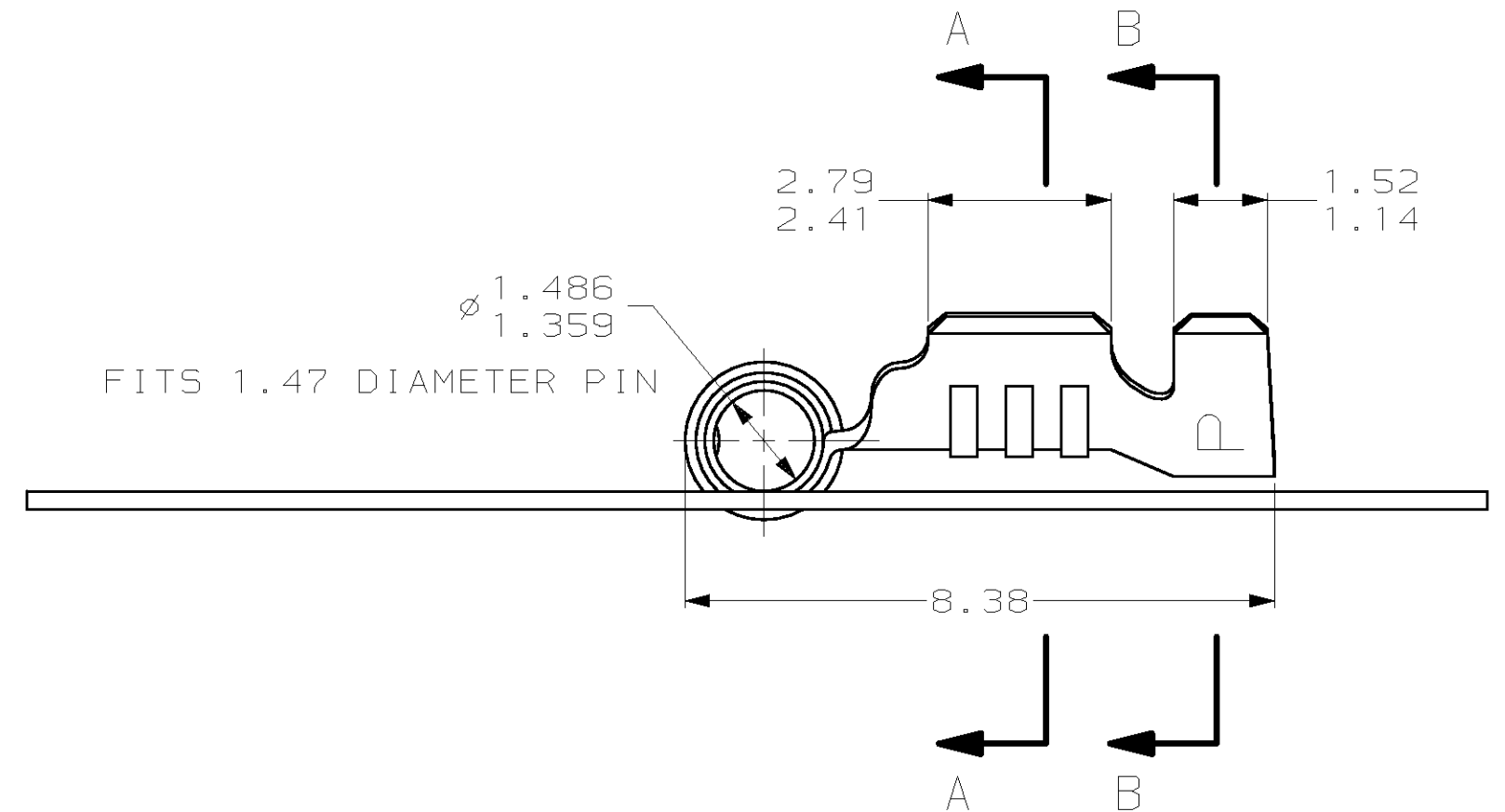


THIS DRAWING IS UNPUBLISHED. RELEASED FOR PUBLICATION
 (C) COPYRIGHT 19 BY AMP INCORPORATED. ALL RIGHTS RESERVED.

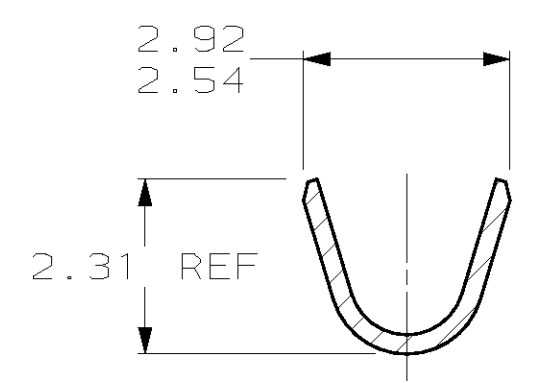
LOC	DIST	REVISIONS			
P	LTR	DESCRIPTION	DATE	DWN	APVD
CM	52	G	REV & REDWN PER EC 0L30-0125-97	5-22-97	TB RS



- 1. 0.00038 MIN SELECTIVE GOLD PLATING ON INSIDE OF RECEPTACLE OVER NICKEL OVER ALL UNDERPLATE.
- 2. WIRE RANGE: 0.2 - 0.6 MM² (24 - 20 AWG)
- 3. INSULATION RANGE: 1.14 - 1.78



SECTION A-A



SECTION B-B

MATTE TIN	0.25 BE COPPER	61119-3
PRE-TIN	0.25 PH BRZ	61119-2
△	0.25 BE COPPER	61119-1
FINISH	MATERIAL	PART NUMBER

1.47	.058	2.29	.090	4.11	.162	-	-
1.359	.0535	1.93	.076	2.92	.115	-	-
1.14	.045	1.91	.075	2.79	.110	13.67	.538
0.25	.010	1.78	.070	2.54	.100	13.51	.532
0.13	.005	1.52	.060	2.41	.095	8.38	.330
0.00038	.000015	1.486	.0585	2.31	.091	4.27	.168
MM	IN	MM	IN	MM	IN	MM	IN

CONVERSION TABLE

METRIC

THIS DRAWING IS A CONTROLLED DOCUMENT.

DIMENSIONS:	TOLERANCES UNLESS OTHERWISE SPECIFIED:	DWN	T. BECK	5-22-97
mm		CHK	R. SWING	5-22-97
	0 PLC ±-	APVD	A. BEDDICK	6-17-97
	1 PLC ±-	PRODUCT SPEC	108-1025	
	2 PLC ±0.13	APPLICATION SPEC	114-1008	
	3 PLC ±-	WEIGHT	-	
4 PLC ±-	FINISH	SEE TABLE		

AMP Incorporated
Harrisburg, PA 17105-3608

NAME: RECEPTACLE, .058 DIAMETER, 24-20 AWG, .045-.070 INSULATION, RIGHT ANGLE, P.C. CONTACT

SIZE: A2 CAGE CODE: 00779 DRAWING NO: 61119 RESTRICTED TO: -

CUSTOMER DRAWING SCALE: 10:1 SHEET: 1 OF 1 REV: G