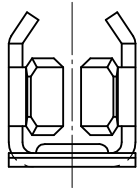
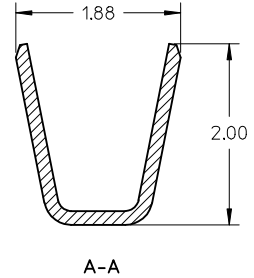
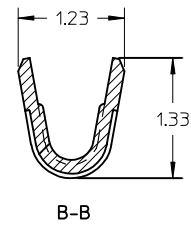
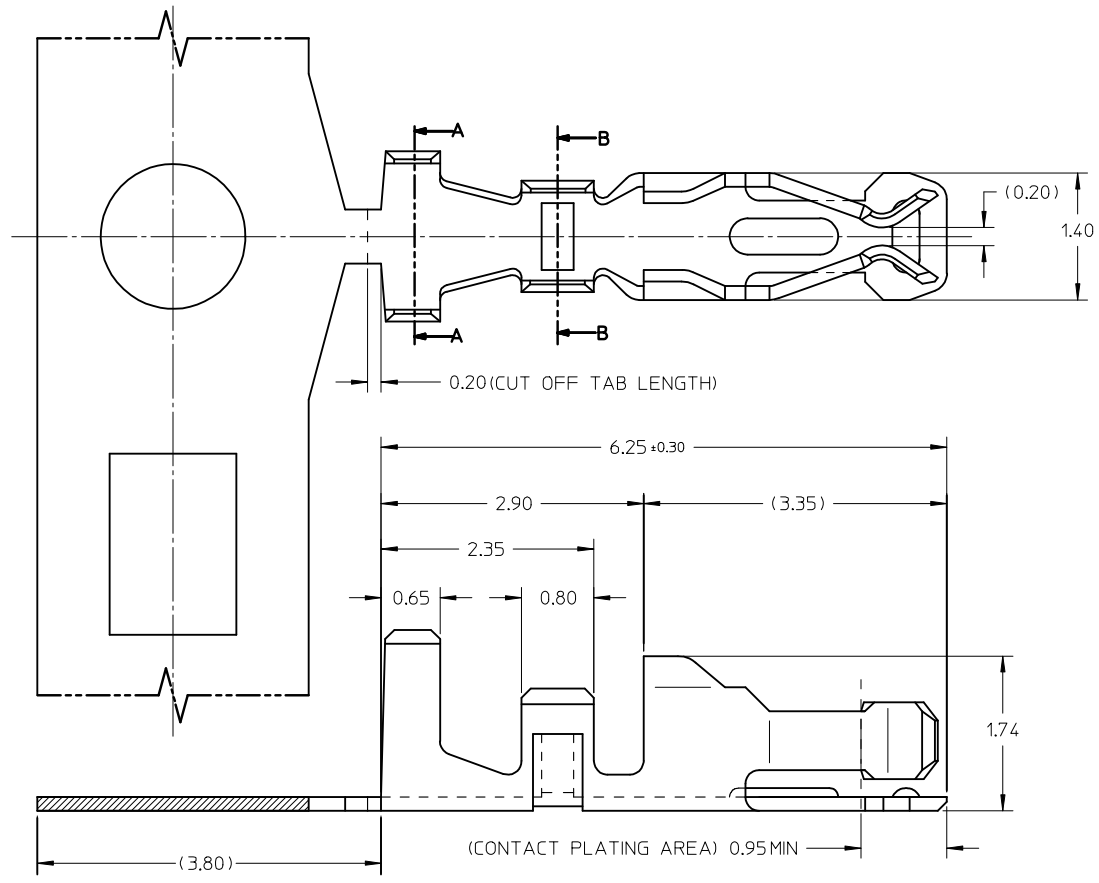


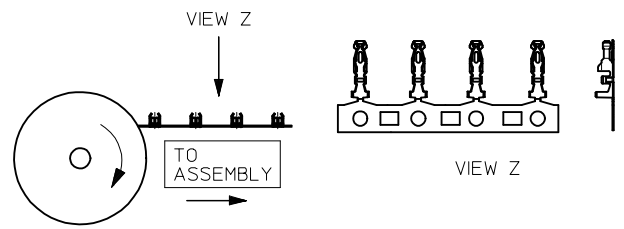
10 9 8 7 6 5 4 3 2 1

ENG. NO.		CONTACT PLATING (NICKEL OVERALL 2μm MIN)
FORM: LOOSE	FORM: CHAIN	
50394-8100	50394-8051	0.384μm GOLD MIN
50394-8200	50394-8052	0.764μm GOLD MIN
50394-8400	50394-8054	GOLD FLASH 0.05-0.1254μm
50394-8500	50394-8055	2.504μm MATTE TIN MIN



- NOTES :
1. APPLICABLE HOUSING : 51110-***1
: 51110-**5*
: 151100-00**

WINDING DIRECTION



ADD TIN PLATING EC NO: S2016-0736 DRW:NFC500 CHKD:CGOH APPR:KHLIM	2016/02/17	DESCRIPTION	QUALITY SYMBOLS	GENERAL TOLERANCES (UNLESS SPECIFIED)		DIMENSION STYLE		SCALE	DESIGN UNITS	THIRD ANGLE PROJECTION
	2016/02/14		REV	mm	INCH	MM ONLY	NTS	METRIC		

4 PLACES	± ---	± ---
3 PLACES	± ---	± ---
2 PLACES	± 0.20	± ---
1 PLACE	± ---	± ---
0 PLACE	± ---	± ---
ANGULAR ± 3 °		
DRAFT WHERE APPLICABLE MUST REMAIN WITHIN DIMENSIONS		

DRAWN BY	DATE	TITLE
S.Q	1994/04/20	SALES DRAWING
CHECKED BY	DATE	2.0MM GRID W TO B CONN.
EDPOH	1994/04/27	CRIMP TERMINAL
APPROVED BY	DATE	
LBLEE	2013/11/13	
MATERIAL NO.	DOCUMENT NO.	
SEE TABLE	SD-50394-8XXX	

molex

SHEET NO. 1 OF 1

THIS DRAWING CONTAINS INFORMATION THAT IS PROPRIETARY TO MOLEX INCORPORATED AND SHOULD NOT BE USED WITHOUT WRITTEN PERMISSION

9 8 7 6 5 4 3 2 1