

■ 定格・性能 Ratings and Characteristics

2端子形・他励振タイプ

2-Terminals, External-Drive Type

品番 Part No.	電圧感度 Sound Pressure Level (Measuring conditions)	静電容量 Capacitance at 1 kHz	最大許容入力電圧 Maximum Input Voltage
EFBAA14D001	74 dB min. (15 Vp-p, 4 kHz Square wave, 10 cm)	8500 pF	25 Vp-p
EFBAA40D102	86 dB min. (15 Vp-p, 4 kHz Square wave, 10 cm)	7000 pF	
EFBRD22C41/45	85 dB min. (15 Vp-p, 4 kHz Square wave, 10 cm)	15000 pF	30 Vp-p
EFBRD22C413	80 dB min. (15 Vp-p, 4 kHz Square wave, 10 cm)	15000 pF	
EFBRD22C415	98 dB min. (15 Vp-p, 4 kHz Square wave, 10 cm)	15000 pF	
EFBRD24C411	85 dB min. (15 Vp-p, 4 kHz Square wave, 10 cm)	10000 pF	
EFBRC24C41B	85 dB min. (15 Vp-p, 4 kHz Square wave, 10 cm)	10000 pF	
EFBRD24C41	80 dB min. (15 Vp-p, 4 kHz Square wave, 10 cm)	12000 pF	
EFBAF24C101	88 dB min. (15 Vp-p, 2.5 kHz Square wave, 10 cm)	24000 pF	
EFBAL30D402*	70 dB min. (15 Vp-p, 3 kHz Square wave, 10 cm)	13000 pF	25 Vp-p

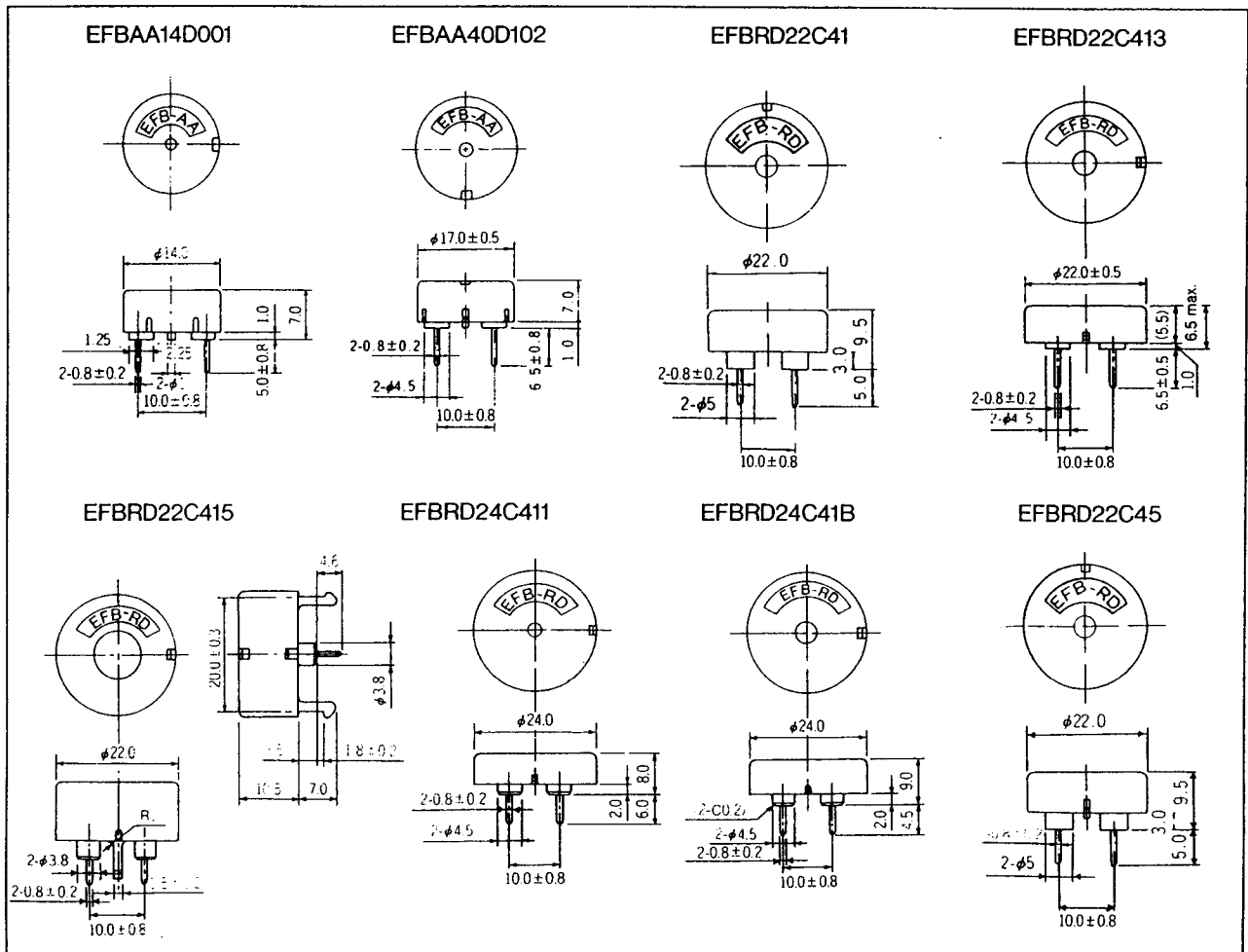
● Operating Temperature Range: -10 to 60 °C

● Storage Temperature Range: -20 to 70 °C

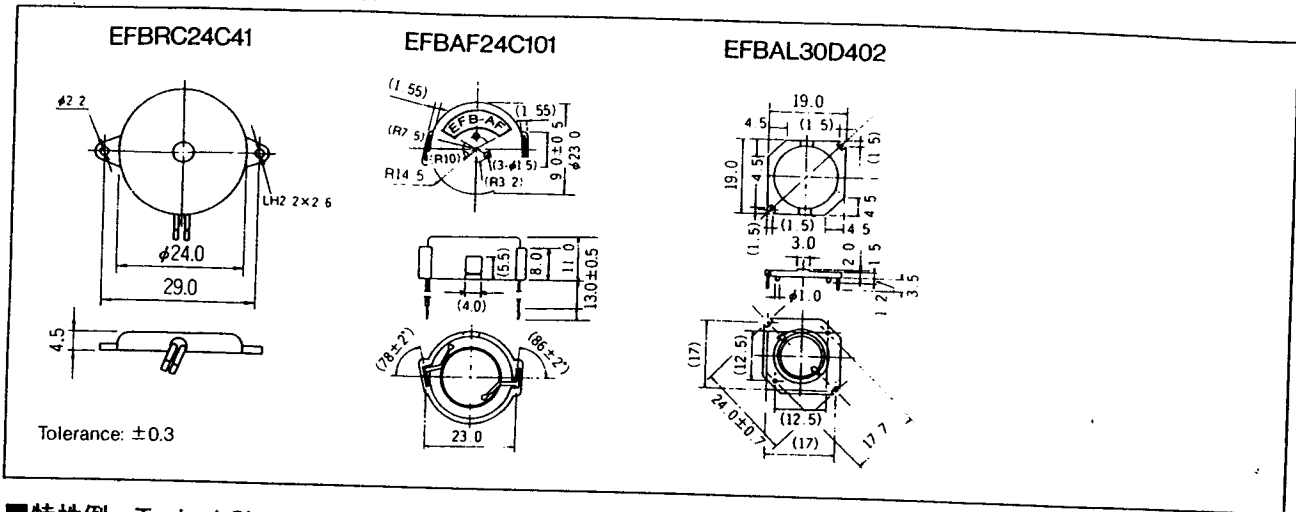
* For Telephone Ringer

■ 形状寸法図 Dimensions in mm(not to scale)

2-Terminals, External-Drive Type



■形状寸法図 Dimensions in mm(not to scale)
2-Terminals, External-Drive Type

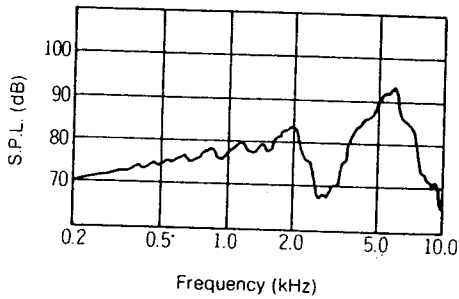


■特性例 Typical Characteristics

Frequency vs. Sound Pressure Level (External Drive Type)

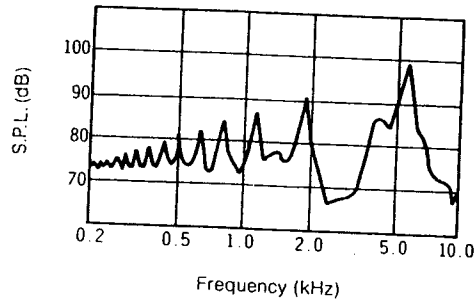
EFBAA14D001

Input voltage: 10 Vp-p, Square wave
Distance : 10 cm



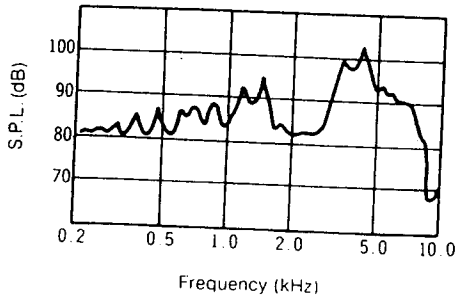
EFBAA40D102

Input voltage: 10 Vp-p, Square wave
Distance : 10 cm



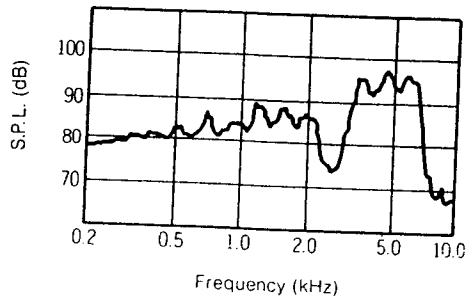
EFBRD22C411

Input voltage: 10 Vp-p, Square wave
Distance : 10 cm



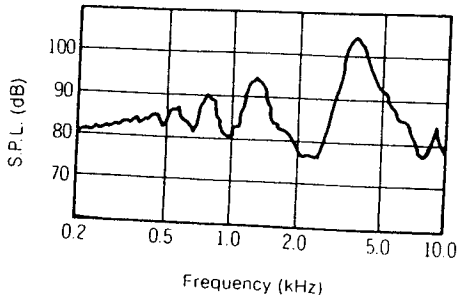
EFBRD22C413

Input voltage: 10 Vp-p, Square wave
Distance : 10 cm



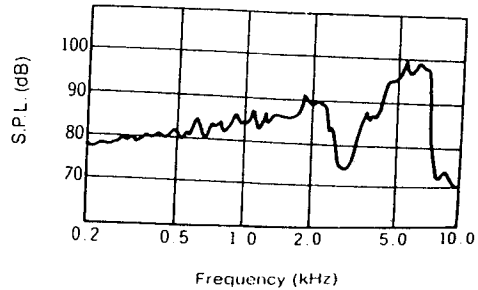
EFBRD22C415

Input voltage: 10 Vp-p, Square wave
Distance : 10 cm



EFBRC24C41

Input voltage: 10 Vp-p, Square wave
Distance : 10 cm



■ 定格・性能 Ratings and Characteristics

3端子形・自励振タイプ

3-Terminals, Self Drive Type

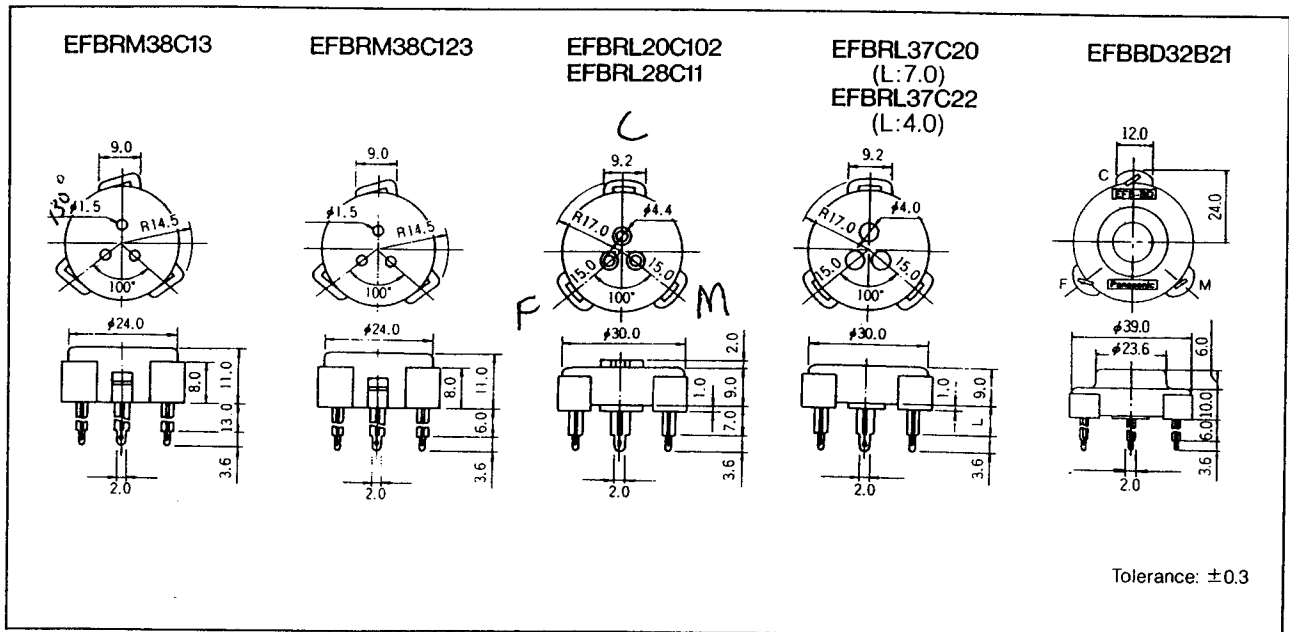
品番 Part No.	出力レベル Sound Pressure Level (Measuring conditions)	発振周波数 Oscillating Frequency	駆動回路 Standard Driving Circuit
EFBRM38C13	90 dB min. (10 VDC, 10 cm)	3.5±0.6 kHz	<ul style="list-style-type: none"> ● 下記測定回路による ● Cf. Test circuit diagram below
EFBRM38C123	90 dB min. (10 VDC, 10 cm)		
EFBRL20C102	85 dB min. (12 VDC, 10 cm)	2.0±0.4 kHz	
EFBRL28C11	98 dB min. (12 VDC, 10 cm)	2.8±0.4 kHz	
EFBRL37C20/22	100/80 dB min. (12 VDC, 10 cm)	3.9/3.7±0.5 kHz	
EFBBD32B21	106 dB min. (12 VDC, 10 cm)	3.2±0.3 kHz	

● Operating Temperature Range: -10 to 60 °C

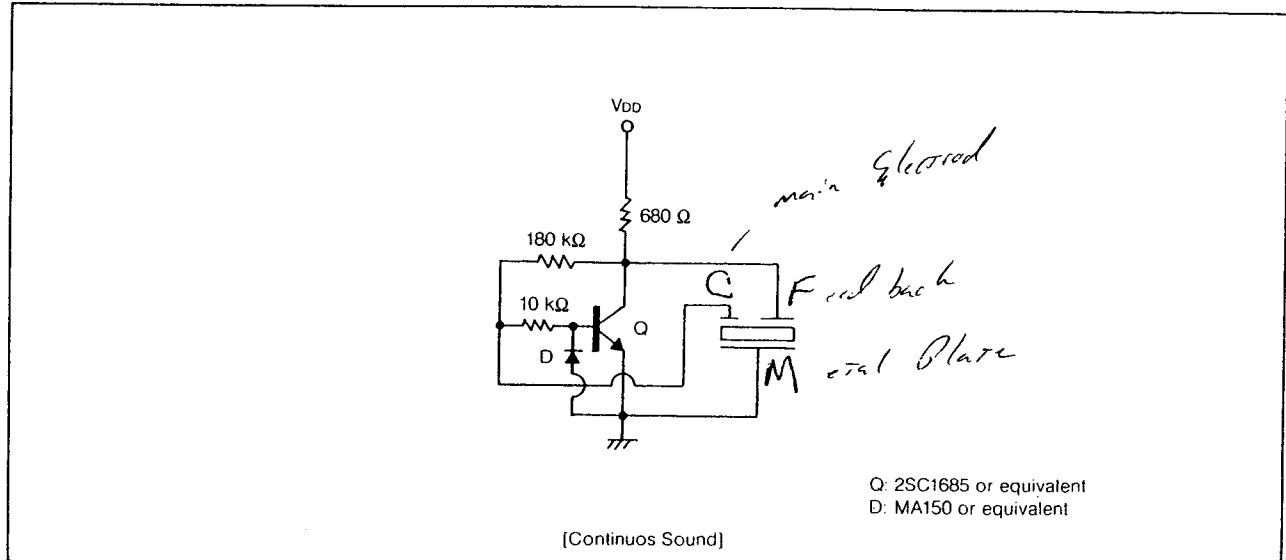
● Storage Temperature Range: -20 to 70 °C

■ 形状寸法図 Dimensions in mm (not to scale)

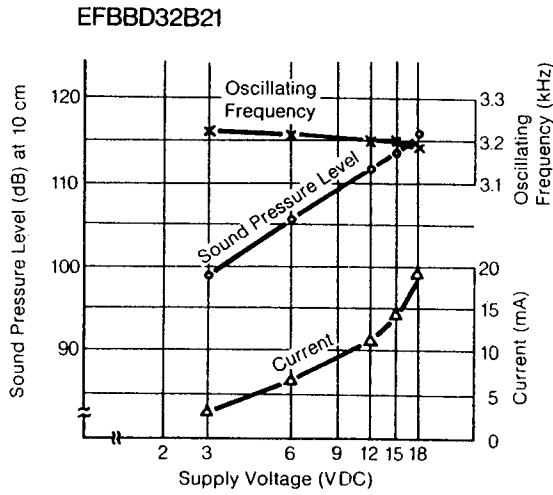
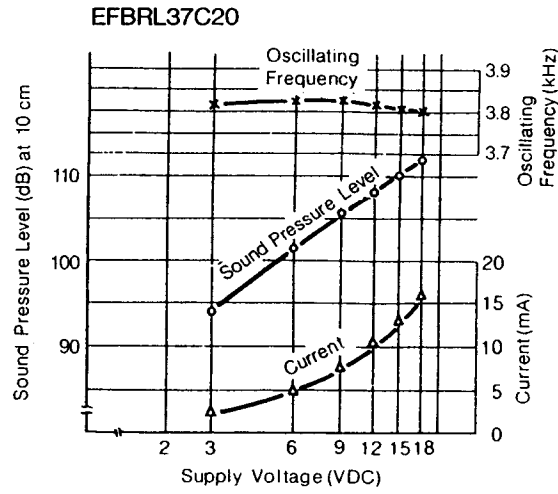
3-Terminals, Self-Drive Type



■ 測定回路 Test Circuit Diagram (for Self Drive Type)



Supply Voltage vs. Sound Pressure Level
(Self-Drive Type)



Temperature Characteristics
(Self-Drive Type)

