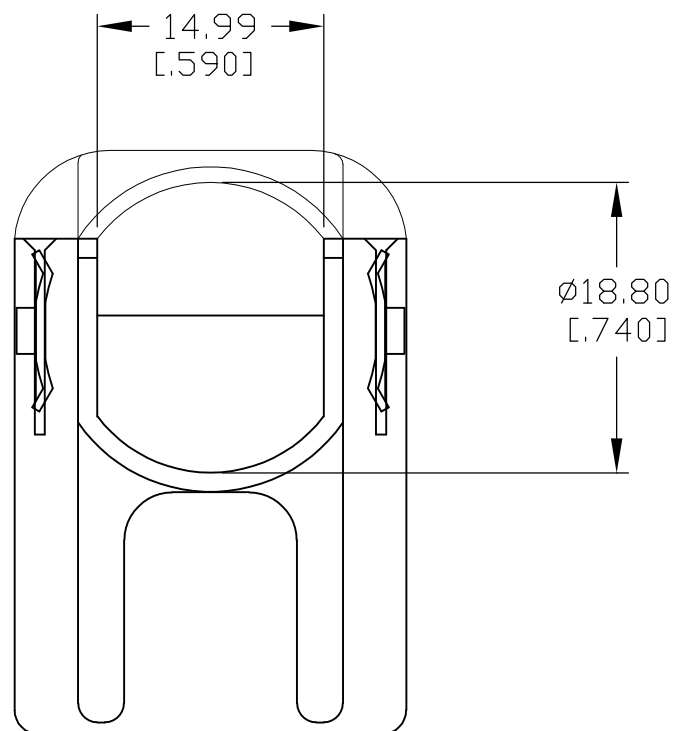
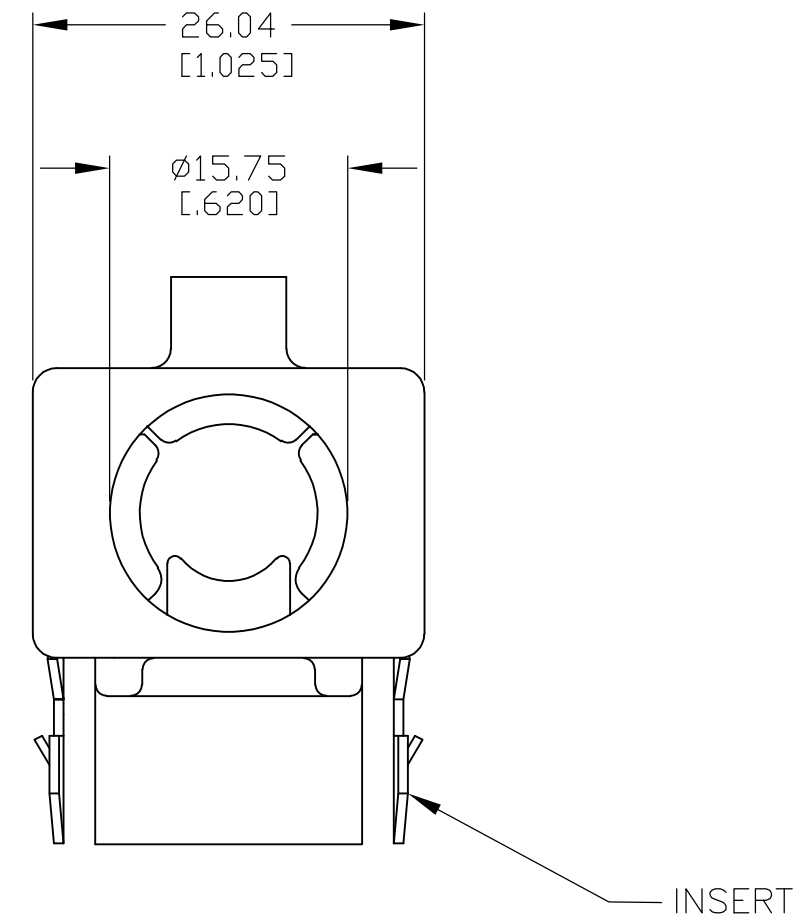
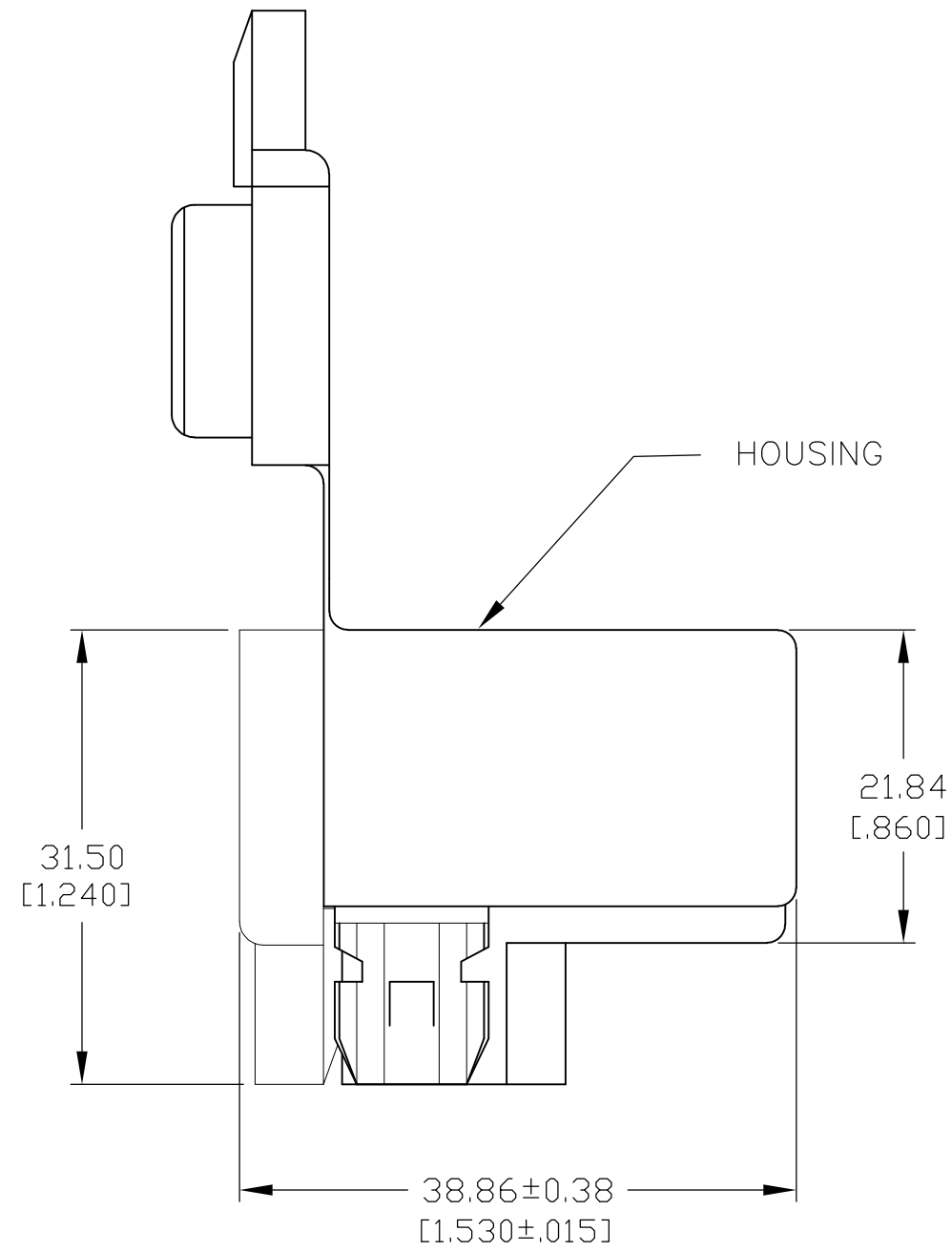
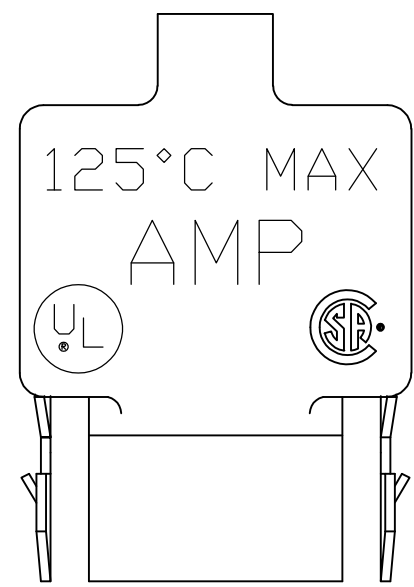


THIS DRAWING IS UNPUBLISHED. RELEASED FOR PUBLICATION
 © COPYRIGHT - By - ALL RIGHTS RESERVED.

| LOC | DIST | REVISIONS | | | | | |
|-----|------|-----------|-----|---------------|-----------|-----|------|
| AA | 27 | P | LTR | DESCRIPTION | DATE | DWN | APVD |
| | | G | | ECR-12-012675 | 01AUG2012 | KR | OP |

- 1 FITS STANDARD KNOCKOUT 23.01 $\left[\begin{matrix} .906 \\ .860 \end{matrix} \right]$ DIA.
- 2 PANEL RETENTION MECHANISM ACCOMMODATES PANEL THICKNESSES FROM 0.81 $[.032]$ TO 2.31 $[.091]$.
- 3 HOUSING: NYLON, BLACK.
INSERT: CARBON STEEL, 0.64 $[.025]$ THICK.
- 4 INSERT: 15.24 μm $[.000600]$ MIN ZINC.



207508-1
PART NO.

| | | | | |
|---|--|--------------|------------------|--|
| THIS DRAWING IS A CONTROLLED DOCUMENT. | | DWN | 19MAY00 | TE TE Connectivity |
| DIMENSIONS: mm [INCHES] | | CHK | 20JUN00 | |
| TOLERANCES UNLESS OTHERWISE SPECIFIED: | | APVD | 20JUN00 | |
| 0 PLC ± 1 PLC ± 2 PLC ± 0.38 $[.015]$ 3 PLC ± 4 PLC ± ANGLES ± FINISH | | NAME | F. LINCOLN | |
| MATERIAL | | PRODUCT SPEC | APPLICATION SPEC | CONNECTOR ASSEMBLY, .375 x 90° FLEXIBLE CONDUIT |
| 3 4 | | WEIGHT | SIZE | RESTRICTED TO |
| CUSTOMER DRAWING | | CAGE CODE | DRAWING NO | |
| | | SCALE | 1:1 | SHEET 1 of 1 |
| | | REV | G | |