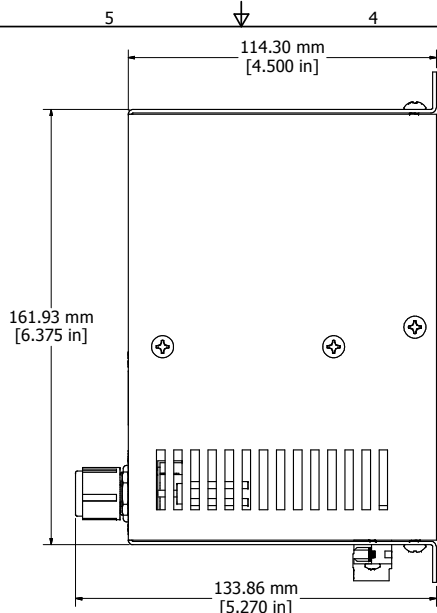
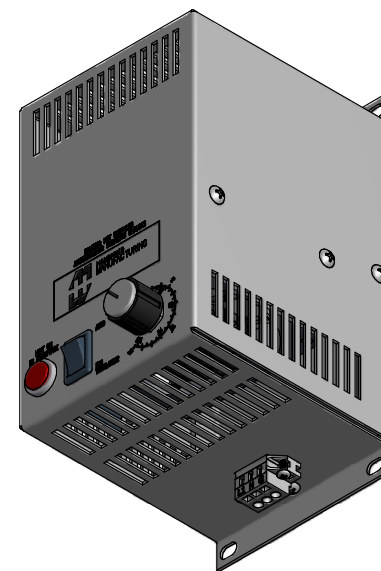


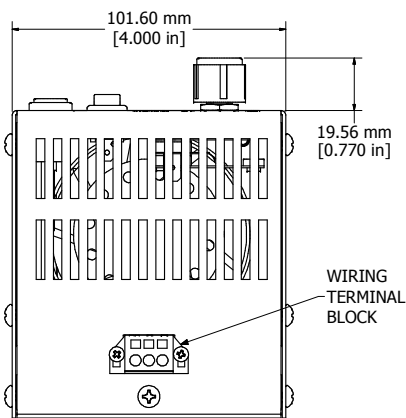
ASSEMBLY - VIEW FROM FRONT



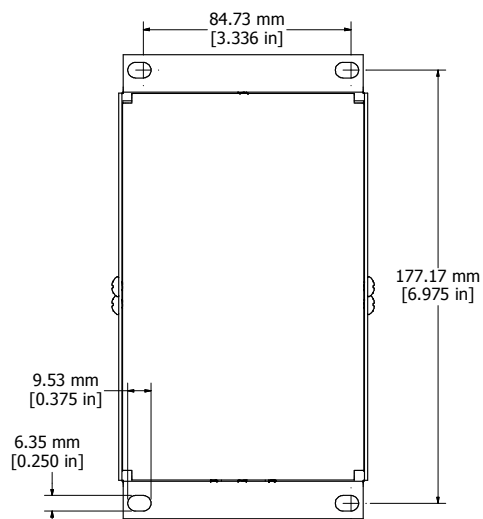
ASSEMBLY - VIEW FROM SIDE



ISOMETRIC VIEW



ASSEMBLY - VIEW FROM BOTTOM



ASSEMBLY - VIEW FROM BACK

**FLHTF800A115**

Housing - Aluminum Alloy

Rating - 120 VAC, 60 Hz, 800 W

Approvals - UL Recognized Standard UL 508A

- CSA Standard C22.2 No. 88



HAMMOND  
MANUFACTURING™

**FLHTF800A115**

www.hammondmfg.com