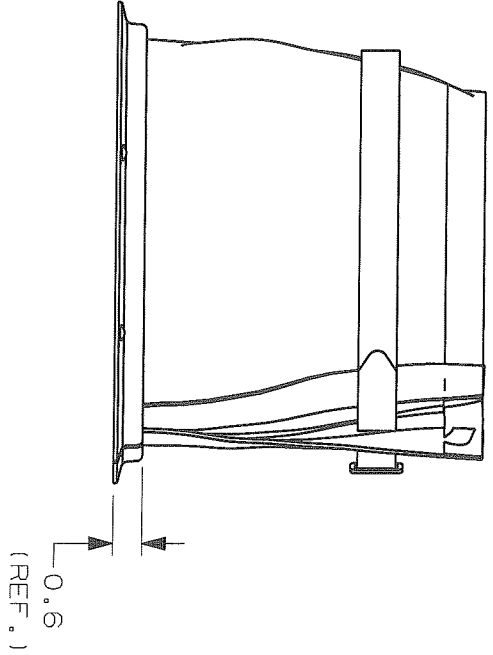
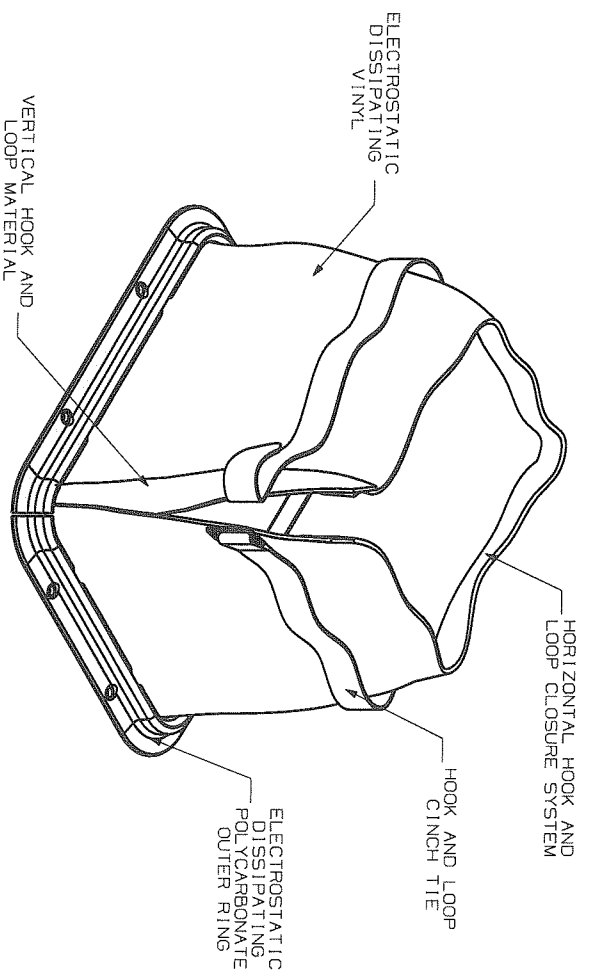
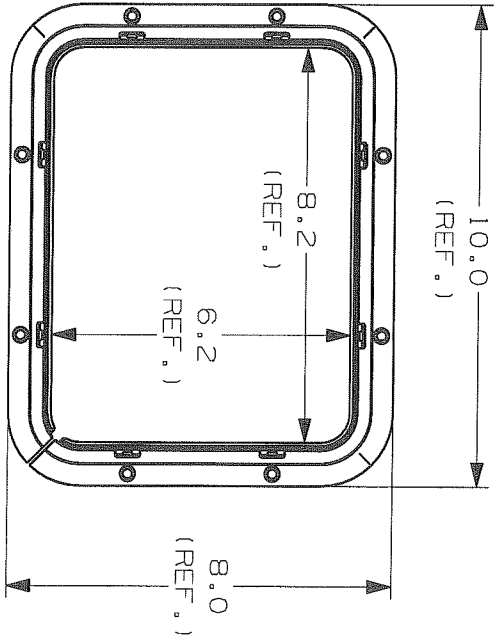


THIS COPY IS PROVIDED ON A RESTRICTED BASIS AND IS NOT TO BE USED IN ANY WAY DETRIMENTAL TO THE INTERESTS OF PANDUIT CORP.



NOTE:
 1) PRODUCT INCLUDES PHILLIPS PANHEAD SELF-DRILL SCREWS, #6 X 5/8", (QTY 8).

REV	DATE	BY	CHK	DESCRIPTION	ECN	R	R	CUST	SUP
00B	08/15/08	ARHA		ADDED "Y" PART NUMBER: CHANGED REV. STYLE.	GB3405VF	00B		KLN	
R	01/18/08	ARHA		INITIAL RELEASE	GB3405VF	R			

DIMENSIONS IN BRACKETS ARE METRIC (mm)	
CAD FILENAME/LAYERS	G03405VF_DC_GB3405VF/00B
PANDUIT	
CORP. TINLEY PARK, ILLINOIS	
RFG10X8SM(Y)	
RAISED FLOOR GROMMET (SURFACE MOUNT)	
UNLESS OTHERWISE SPECIFIED, DIMENSIONAL TOLERANCES ARE: (.XX) ±0.1 (2.5) (.XXX) ±0.010 (0.25) (1.XX) ±0.02 (0.5) ANGLES ±5°	
UNLESS OTHERWISE SPECIFIED, ALL DIMENSIONS ARE GIVEN IN INCHES, THIRD ANGLE PROJECTION.	
SCALE	1 : 4
DRAWING NO.	GB3405VF
DWG SIZE	A
DATE	01/18/08
DRAWN BY	ARHA
MAT'L	N/A