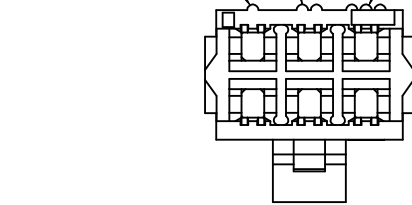


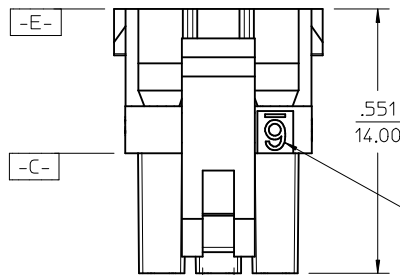
NOTES:

- 1) MATERIAL:
UNFILLED NYLON, RATED UL94V-0, LOW-HALOGEN, COLOR: BLACK
- 2) FINISH: NONE
- 3) PRODUCT SPECIFICATION: PS-43045
- 4) PACKAGING SPECIFICATION: BULK PER 1729520001-PK
- 5) MATES WITH: MOLEX 43020 PLUGS AND 43045 HEADERS
- 6) FOR USE WITH: 43030 AND 46235 (LOW FORCE) MOLEX FEMALE TERMINALS
- 7) HOUSING IS DESIGNED FOR USE WITH 172953-XX01 TPA. NEVER USE WITHOUT TPA.
- 8) THIS PART CONFORMS TO CLASS B REQUIREMENTS OF COSMETIC SPEC PS-45499-002
- 9) PARTS MAY HAVE A BLEMISH NEAR THE GATE THAT DOES NOT AFFECT FUNCTIONALITY
- 10) TERMINALS IN THE LOWER ROW ARE INSERTED 180° FROM THE UPPER ROW
SEE SECTION A-A FOR PROPER ORIENTATION
- 11) LAST CIRCUIT NUMBER OF THE CONNECTOR. NOT APPLICABLE TO 4 CIRCUIT.
- 12) REF SDES-43025-1000 FOR OVERMOLDING PARAMETERS
- 13) TO BE MEASURED APPROXIMATELY .060/1.52 FROM [-E-] SURFACE
- 14) TO BE MEASURED ON [-C-] SURFACE
- 15) MOLEX RECOMMENDS THE USE OF MICRO-FIT TEST PLUG SERIES 44242 FOR ALL TESTING. TEST PLUGS MUST NOT BE MATED OR UNMATED UNDER LOAD. DO NOT USE STANDARD MATING COMPONENTS FOR TEST PURPOSES.
- 16) TEXT ON PART IS FOR REFERENCE ONLY. TEXT AND TEXT LOCATION MAY VARY DEPENDING ON PART NUMBER AND/OR TOOL.

FIRST CIRCUIT INDICATOR RIB (1)
CIRCUIT 2 INDICATOR RIBS (2)
CIRCUIT 3 INDICATOR RIBS (3)



.152
3.85



.06 LATCH WINDOW
1.7

.551
14.00

11
LAST CIRCUIT NO

.076
1.93
TYP 14

.118
3.00
TYP 14

.270
6.86
14

13
DIM. B

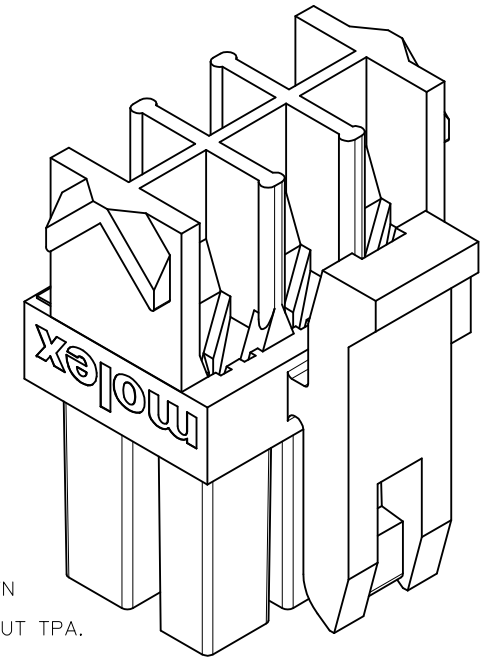
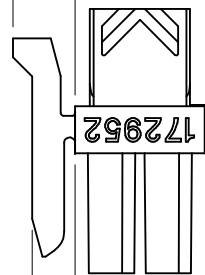
.118
3.00
TYP 14

DIM. A 14

.076
1.93
TYP 14

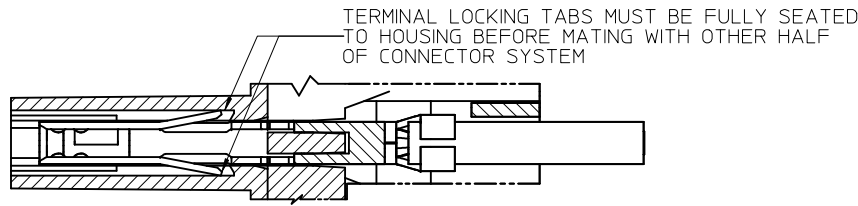
.130
3.29

.089
2.27

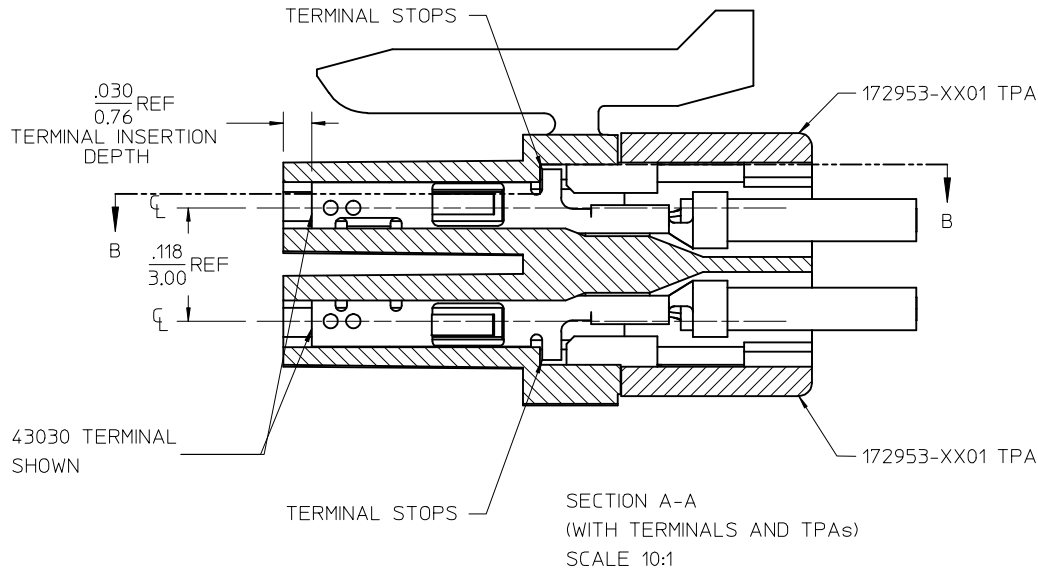


172952-0601 SHOWN
NEVER USE WITHOUT TPA.

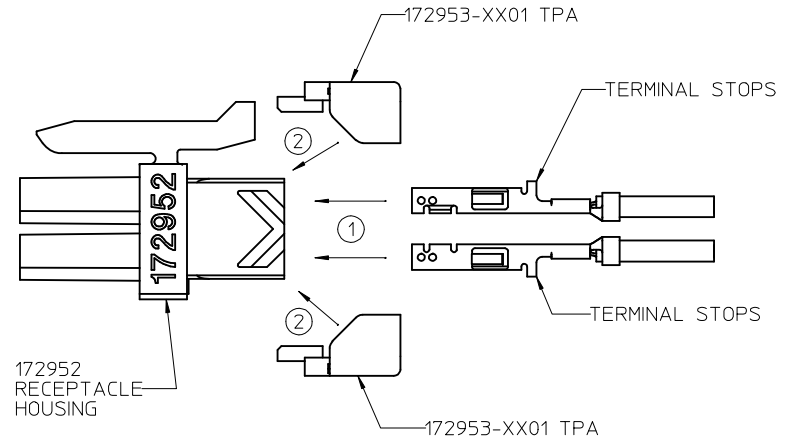
ADD TOOLED COLUMN EC NO: UCP2017-1135 DRAWN: MOLE 2016/11/16 CHKD: APPR: BPI/SZCZOR 2016/12/14 REV: A3	QUALITY SYMBOLS	GENERAL TOLERANCES (UNLESS SPECIFIED)	DIMENSION STYLE IN/MM	SCALE 5:1	DESIGN UNITS METRIC	THIRD ANGLE PROJECTION
	▽=0	4 PLACES ± ---	mm	DRAWN BY BANDERSON	DATE 2014/12/30	MICRO-FIT TPA DUAL-ROW RECEPTACLE HOUSING molex DOCUMENT NO. SD-172952-001 SHEET NO. 1 OF 3
	▽=0	3 PLACES ± ---	INCH	CHECKED BY SSOUSEK	DATE 2014/12/30	
	▽=0	2 PLACES ± 0.25		APPROVED BY BPI/SZCZOR	DATE 2016/03/24	
▽=0	1 PLACE ± 0.38		MATERIAL NO.	SIZE C		
		0 PLACE ± ---		DRAFT WHERE APPLICABLE MUST REMAIN WITHIN DIMENSIONS		THIS DRAWING CONTAINS INFORMATION THAT IS PROPRIETARY TO MOLEX INCORPORATED AND SHOULD NOT BE USED WITHOUT WRITTEN PERMISSION



Partial B-B
SCALE 10:1



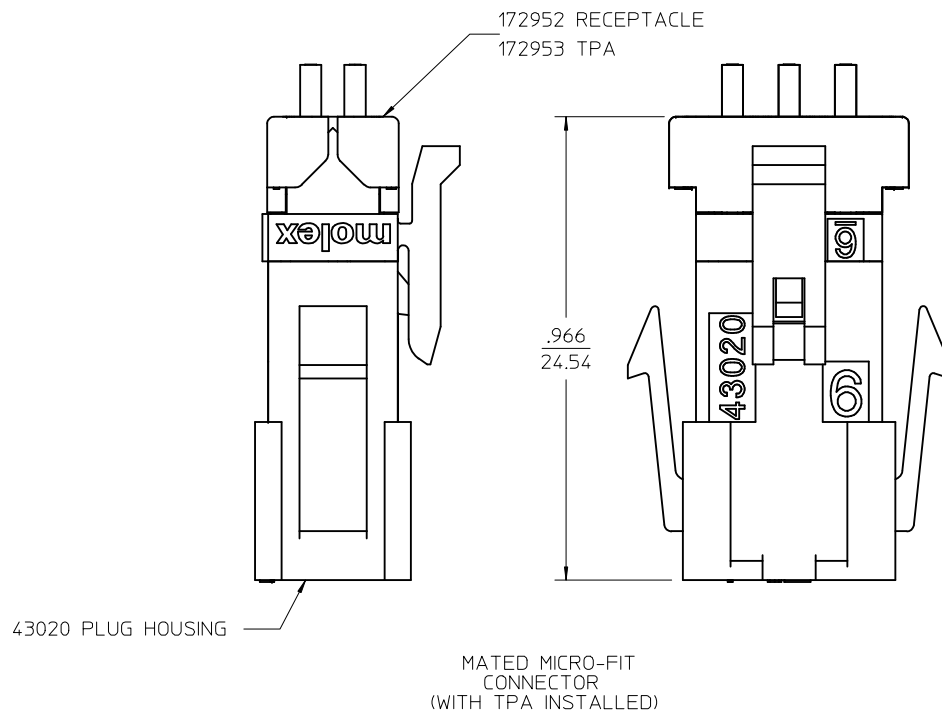
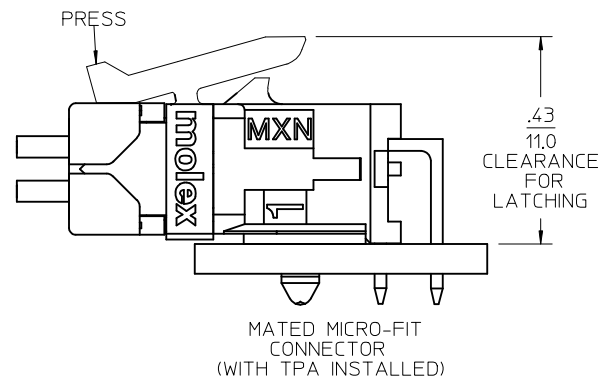
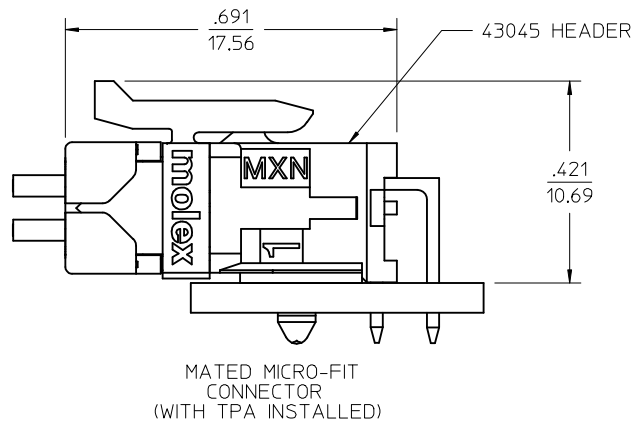
SECTION A-A
(WITH TERMINALS AND TPA's)
SCALE 10:1



TERMINAL AND TPA
ORIENTATION
AND ASSEMBLY
NEVER USE WITHOUT TPA.

24	172952-2401	1,299 / 33.00	1,451 / 36.85	NO
22	172952-2201	1,181 / 30.00	1,333 / 33.85	NO
20	172952-2001	1,063 / 27.00	1,215 / 30.85	NO
18	172952-1801	.945 / 24.00	1,096 / 27.85	NO
16	172952-1601	.827 / 21.00	.978 / 24.85	NO
14	172952-1401	.709 / 18.00	.860 / 21.85	YES
12	172952-1201	.591 / 15.00	.742 / 18.85	YES
10	172952-1001	.472 / 12.00	.624 / 15.85	YES
8	172952-0801	.354 / 9.00	.506 / 12.85	YES
6	172952-0601	.236 / 6.00	.388 / 9.85	YES
4	172952-0401	.118 / 3.00	.270 / 6.85	YES
CKT SZ.	PART NUMBER	DIM A	DIM B	TOOLED

SEE SHEET 1 EC NO: UCP2017-1135 DRAWN: COLE CHKD: APPR: BP1 SZCZOR 2016/12/14 REV: A3	QUALITY SYMBOLS ∇=0 ∇=0 ∇=0	GENERAL TOLERANCES (UNLESS SPECIFIED) <table border="1"> <thead> <tr> <th></th> <th>mm</th> <th>INCH</th> </tr> </thead> <tbody> <tr> <td>4 PLACES</td> <td>± .010</td> <td>± .0004</td> </tr> <tr> <td>3 PLACES</td> <td>± .015</td> <td>± .0006</td> </tr> <tr> <td>2 PLACES</td> <td>± 0.25</td> <td>± .010</td> </tr> <tr> <td>1 PLACE</td> <td>± 0.38</td> <td>± .015</td> </tr> <tr> <td>0 PLACE</td> <td>± .010</td> <td>± .0004</td> </tr> </tbody> </table>		mm	INCH	4 PLACES	± .010	± .0004	3 PLACES	± .015	± .0006	2 PLACES	± 0.25	± .010	1 PLACE	± 0.38	± .015	0 PLACE	± .010	± .0004	DIMENSION STYLE IN/MM DRAWN BY: BANDERSON DATE: 2014/12/30 CHECKED BY: SSOUSEK DATE: 2014/12/30 APPROVED BY: BP1 SZCZOR DATE: 2016/03/24	SCALE: 5:1 DESIGN UNITS: METRIC THIRD ANGLE PROJECTION	TITLE: MICRO-FIT TPA DUAL-ROW RECEPTACLE HOUSING molex
		mm	INCH																				
	4 PLACES	± .010	± .0004																				
	3 PLACES	± .015	± .0006																				
2 PLACES	± 0.25	± .010																					
1 PLACE	± 0.38	± .015																					
0 PLACE	± .010	± .0004																					
DRAFT WHERE APPLICABLE MUST REMAIN WITHIN DIMENSIONS		MATERIAL NO. SEE CHART	DOCUMENT NO. SD-172952-001	SHEET NO. 2 OF 3	THIS DRAWING CONTAINS INFORMATION THAT IS PROPRIETARY TO MOLEX INCORPORATED AND SHOULD NOT BE USED WITHOUT WRITTEN PERMISSION																		



SEE SHEET 1 EC NO: UCP2017-135 DRAWN: MCOLE 2016/11/16 CHKD: APPR: BP1/SZCZOR 2016/12/14	QUALITY SYMBOLS ▽=0 ▽=0 ▽=0	GENERAL TOLERANCES (UNLESS SPECIFIED)		DIMENSION STYLE IN/MM	SCALE 5:1	DESIGN UNITS METRIC	THIRD ANGLE PROJECTION		
		4 PLACES ± --- ± ---	3 PLACES ± --- ± .010	2 PLACES ± 0.25 ± .015	1 PLACE ± 0.38 ± ---	0 PLACE ± --- ± ---	ANGULAR ±1/2°	DRAFT WHERE APPLICABLE MUST REMAIN WITHIN DIMENSIONS	DRAWN BY BANDERSON
A3	REV			SEE CHART	MATERIAL NO.	DOCUMENT NO. SD-172952-001	SHEET NO. 3 OF 3		
THIS DRAWING CONTAINS INFORMATION THAT IS PROPRIETARY TO MOLEX INCORPORATED AND SHOULD NOT BE USED WITHOUT WRITTEN PERMISSION									