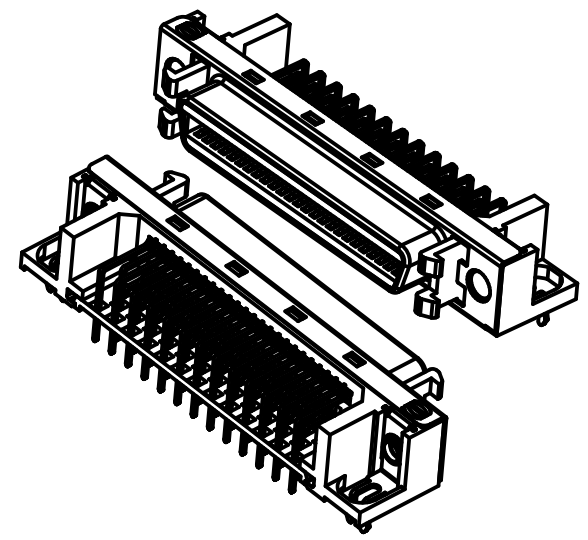


PCB layout: component side



According to IEC 61076-3-100

1) see TB 60 11 050 5732 folio 2/2 for reel packaging.

All Dimensions in mm Original Size DIN A 3			Techn. Character.			Free size tolerances			
			Dat.	Name	Scale	har.mik® I/O bellow			
			Detail.	29-OCT-09	J.Sheng	2:1	50P Har.mik female SMC		
			Insp.	18-Nov-09	S.W		with angled solder pins,		
			Stand.	18-Nov-09	S.W		thread hole M2.5, fixed latches		
EC01926	31-May-10	K.Luo	Zhuhai Harting Limited				TB 60 11 050 5732		Page
31770	29-OCT-09	J.Sheng			Sub.				1
Mod.	Dat.	Name							2

All rights reserved