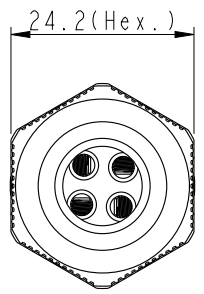
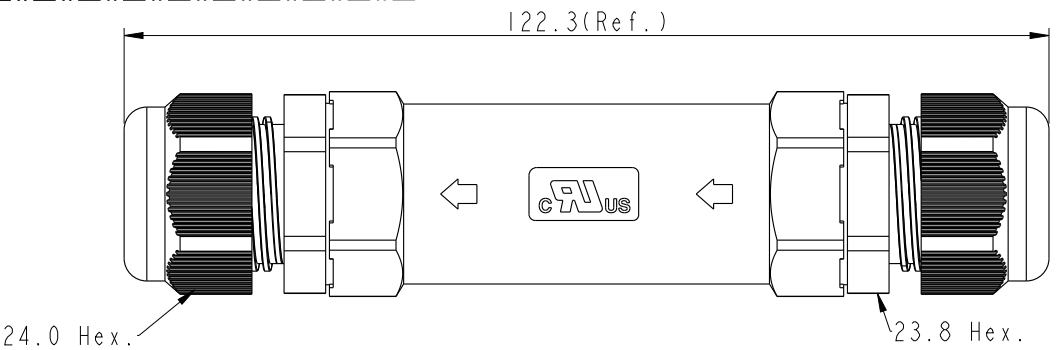
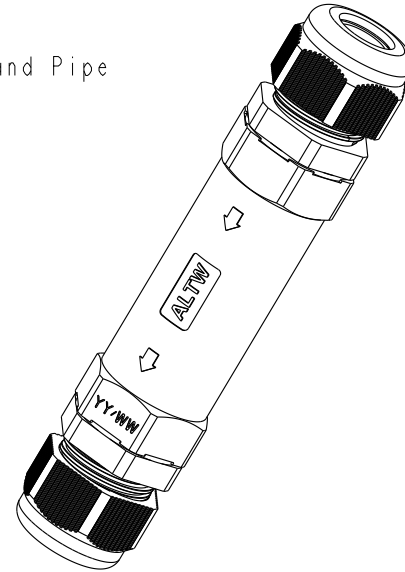
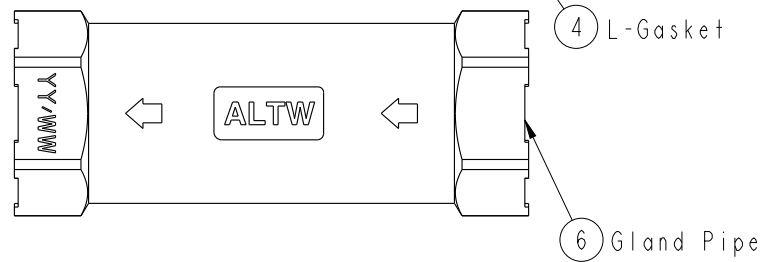
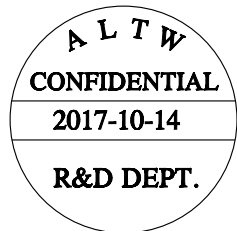
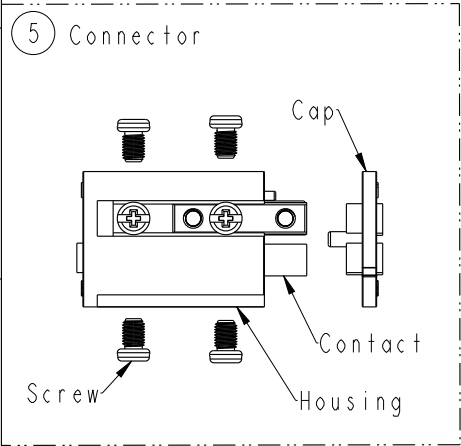
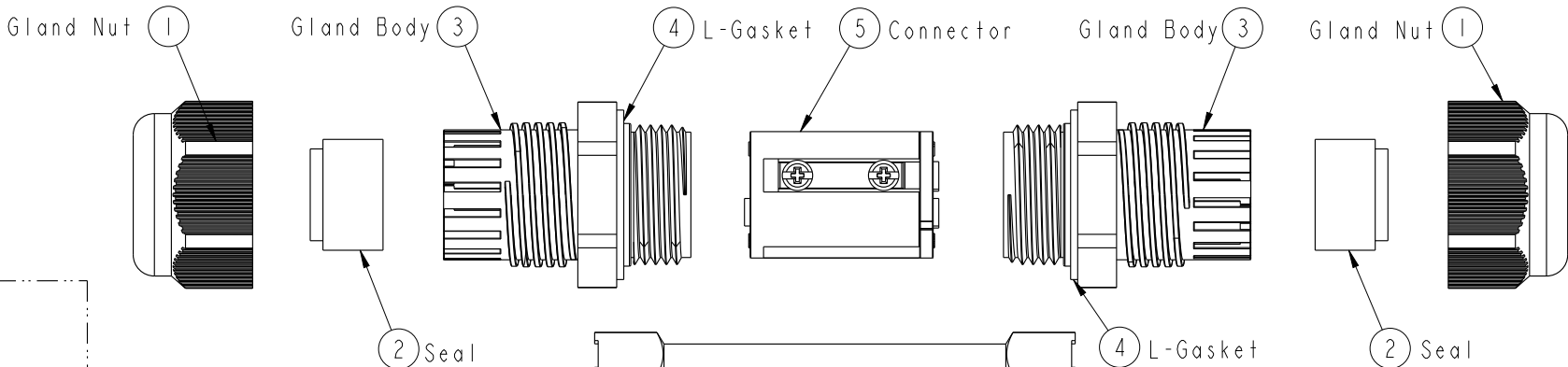


THIS DOCUMENT IS SUBJECT TO CHANGE WITHOUT NOTICE. IT IS CONFIDENTIAL AND A PROPERTY OF AMPHENOL LTW. DISCLOSURE TO THIRD PARTY HAS TO BE AUTHORIZED BY AMPHENOL LTW.

REV.	ECN NO.	DATE	SIGN	DESCRIPTION
A	Initial Release	2017/07/27	Lingpeng	New Item.
B	LEN17A0097~112	2017-10-14	Lingpeng	Add The Label And Change The Title



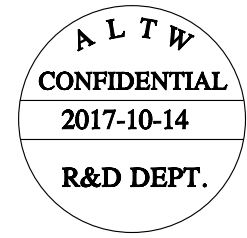
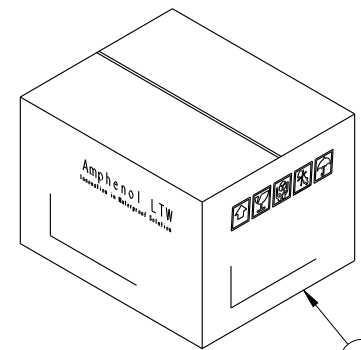
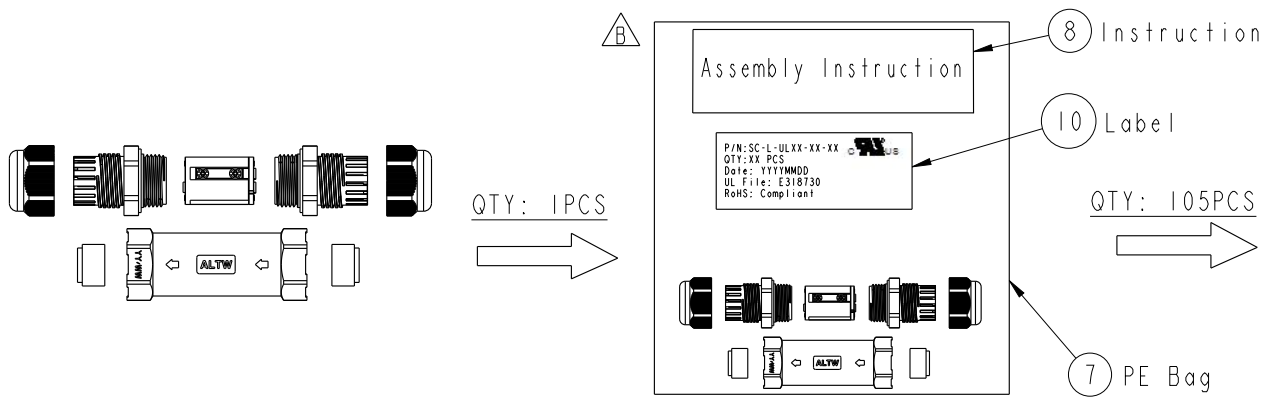
UNIT:mm		
TOLERANCE	.X ±0.25	
.XX ±0.1		
.XXX ±0.05		
ANGLES	±1°	

TITLE UL13 Cable Joiner Screw-in Type		
SCALE 1:1	SIZE A4	SHEET 1 OF 2
REV. B	WC-REV. A.2	QC: Inspection item

**Amphenol LTW**  
安費諾亮泰企業股份有限公司

ITEM NO	DRAWN BY Lingpeng	DATE 2017-10-14
DWG NO SC-L-UL13-XX-XX	CHECKED BY MaFei	DATE 2017-10-14
CUSTOMER ALTW	APPROVED BY Jerry	DATE 2017-10-14

THIS DOCUMENT IS SUBJECT TO CHANGE WITHOUT NOTICE. IT IS CONFIDENTIAL AND A PROPERTY OF Amphenol LTW. DISCLOSURE TO THIRD PARTY HAS TO BE AUTHORIZED BY Amphenol LTW.



Both A Unassembled product And An Instruction Are In A PE Bag.  
(將一套未組裝的產品和說明書, 放置於一個PE袋, 並封口)

SC-L-UL13-XX-XX

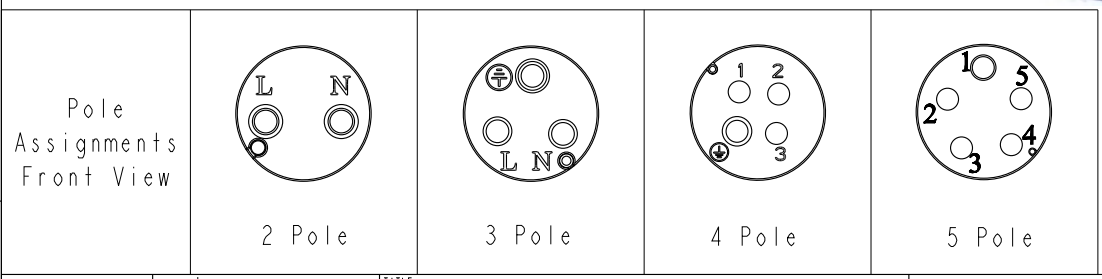
L: Cable Joiner  
Type: UL13

Seal's Color: BL-Blue(藍色) For Cable Range:  $\varnothing 4.5\sim\varnothing 6.5\text{mm}$   
 YW-Yellow(黃色) For Cable Range:  $\varnothing 6.5\sim\varnothing 8.5\text{mm}$   
 GN-Green(綠色) For Cable Range:  $\varnothing 8.5\sim\varnothing 10.5\text{mm}$   
 RD-Red(紅色) For Cable Range:  $\varnothing 10.5\sim\varnothing 11.5\text{mm}$

No. of Conductor: 02-2Poles  
 03-3Poles  
 04-4Poles  
 05-5Poles



- Note:
- \*  $\text{⌀}$  Important Dimension To Check.
  - \* Waterproof Rate: IP68 (50M,24H)
  - \* Housing & Cap: PA66+GF, Black.
  - \* Gland Pipe: PA66, Black.
  - \* Gland Body: PA66, Black.
  - \* Gland Nut: PA66, Black.
  - \* Contact: Brass, Nickel Plated
  - \* L-Gasket : Silicone, Yellow.
  - \* Seal: Silicone, Blue & Yellow & Green & Red.
  - \* Rated Voltage: 2~5 Pole 600V AC
  - \* Rated Current: 2 & 3 Pole Max. 20A ,  
 4 Pole Max. 15A.  
 5 Pole Max. 8A.
  - \* Operating Temperature:  $-40^{\circ}\sim+105^{\circ}$ .
  - \* Gland Pipe Recommended Tightening Torque:  
 8~10 Kgf.cm(0.78~0.98 N.m)
  - \* Gland Nut Recommended Tightening Torque:  
 8~10 Kgf.cm(0.78~0.98 N.m)
  - \* Seal For Cable OD:  $\varnothing 4.5\sim\varnothing 6.5\text{mm}$ , Blue.  
 $\varnothing 6.5\sim\varnothing 8.5\text{mm}$ , Yellow.  
 $\varnothing 8.5\sim\varnothing 10.5\text{mm}$ , Green .  
 $\varnothing 10.5\sim\varnothing 11.5\text{mm}$ , Red.
  - \* Screws for Wire connection recommended tightening torque: 2.00~4.50 kgf.cm / 0.196~0.44 N.m
  - \* Applicable Wire gauge: 18AWG~12AWG(2~4 pole)  
 18AWG~14AWG(5 pole)
  - \* UL2238 Certification



UNIT:mm		TITLE $\text{⚠}$ UL13 Cable Joiner Screw-in Type
TOLERANCE .X $\pm 0.25$ .XX $\pm 0.1$ .XXX $\pm 0.05$ ANGLES $\pm 1^{\circ}$	SCALE 1:1	SIZE A4
	REV. B	SHEET 2 OF 2
	WC-REV. A.2	$\text{⌀}$ : Inspection item

**Amphenol LTW**  
安費諾亮泰企業股份有限公司

ITEM NO	DRAWN BY Lingpeng	DATE 2017-10-14
DWG NO SC-L-UL13-XX-XX	CHECKED BY MaFei	DATE 2017-10-14
CUSTOMER ALTW	APPROVED BY Jerry	DATE 2017-10-14