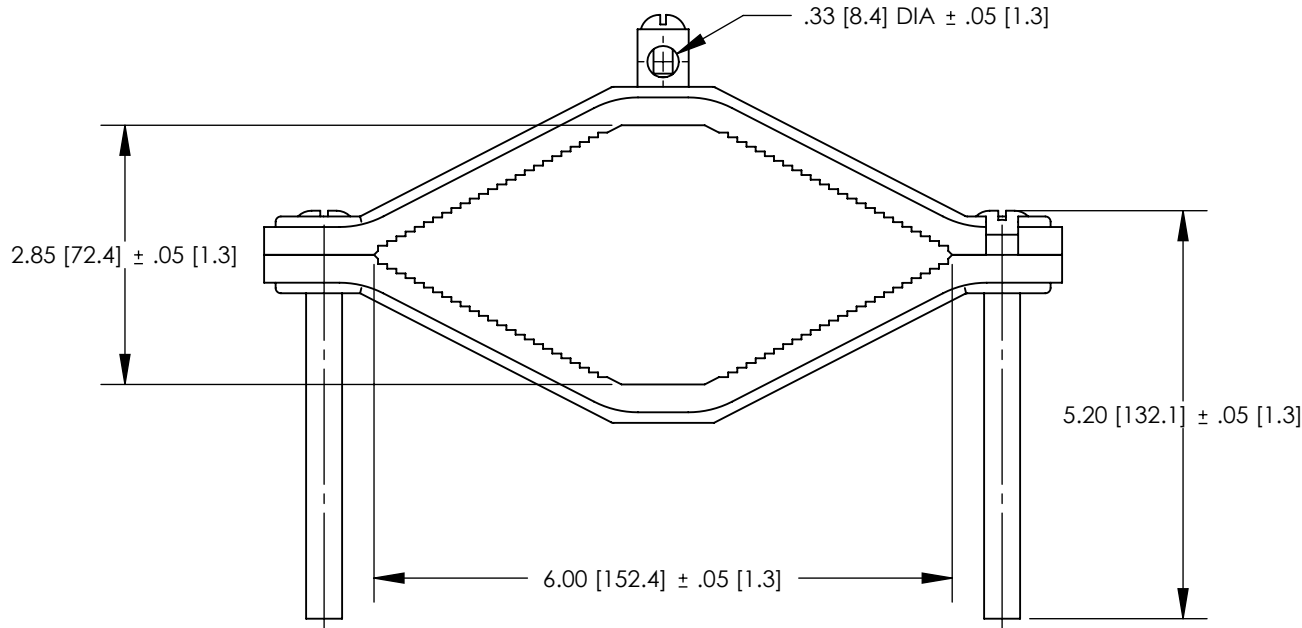
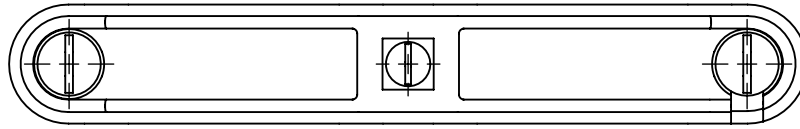
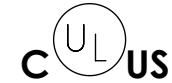


THIS COPY IS PROVIDED ON A RESTRICTED BASIS AND IS NOT TO BE USED IN ANY WAY DETRIMENTAL TO THE INTERESTS OF PANDUIT CORP.



NOTES:

- MATERIAL:
BODY - BRONZE (GUN METAL)
SCREW - STEEL, ZINC PLATED
- PARTS ARE cULus LISTED TO UL467 AS
GROUNDING & BONDING EQUIPMENT.
- SEE WWW.PANDUIT.COM FOR PART NUMBER
SUFFIX DESIGNATION FOR PACKAGE SIZE.



PART NUMBER	DESCRIPTION	WATER PIPE SIZE	GROUNDING WIRE
GPC2-6	GROUND CLAMP BARE WIRE WITH STEEL SCREWS	4" - 6"	10 - 2 STR

REV	DATE	BY	CHK	APR	DESCRIPTION	ECN
00	7/12	JHNU	SRBI	RGB	DRAWING RELEASED	10J018AV-JC

TITLE BRONZE GROUND PIPE CLAMP - 4"-6" (GPC2-6) CUSTOMER DRAWING	
ITEM REVISION NAME 10J018AV/00	PANDUIT TM
DATASET FILE NAME 10J018AV-JC/00.SLDDRW	
UNLESS OTHERWISE SPECIFIED, DIMENSIONAL TOLERANCES ARE: IN [mm] .X ± .XXX ± .XX ± ANGLES ±	
THIRD ANGLE PROJECTION	
DRAWN BY JHNU	DATE 7/12
CHK SRBI	SCALE N/A
DRAWING NUMBER 10J018AV-JC	
SHEET 1 OF 1	
SIZE A	