

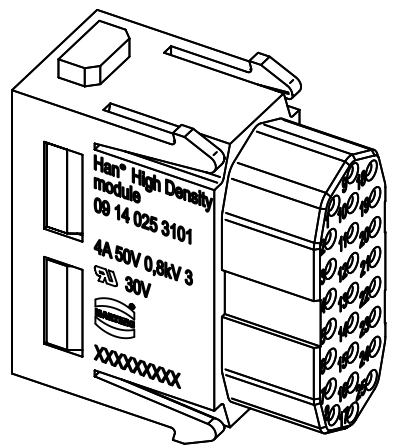
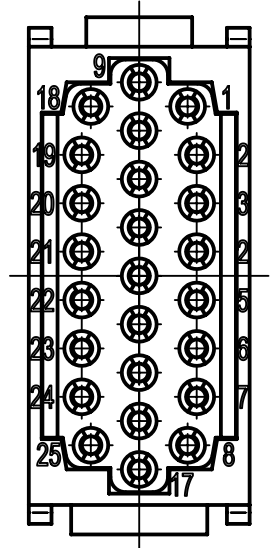
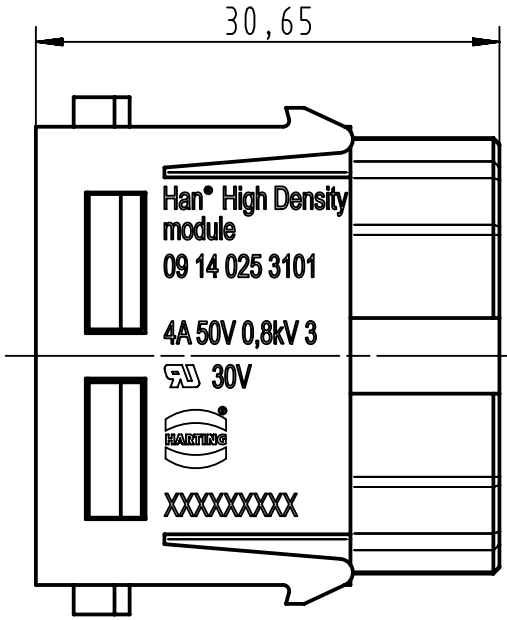
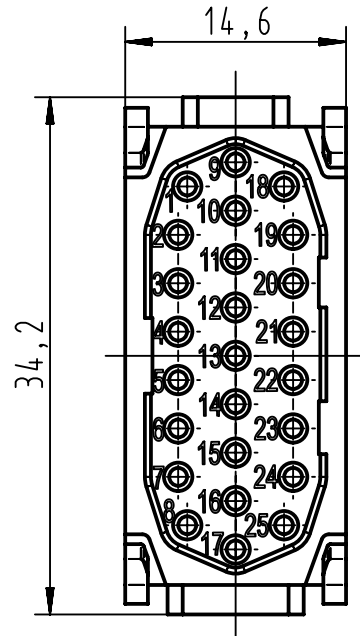
1 2 3 4 5 6

A

B

C

D



	All Dimensions in mm Original Size DIN A4	Scale 2:1		Free size tol.		Ref.	
						Sub. TB 09 14 025 3101 v. 15.10.08	
	All rights reserved	Created by HOLLERT	Inspected by BERGHORN	Standardisation SCHMIDTM	Date 2013-03-19	State Final Release	
	Department EL PD - DE	Title Han High Density module, crimp female				Doc-Key / ECM-Nr. 100123017/UGD/009/A 500000060095	
HARTING Electric GmbH & Co. KG D-32339 Espelkamp		Type TB	Number 09 14 025 3101			Rev. A	Page 1/1