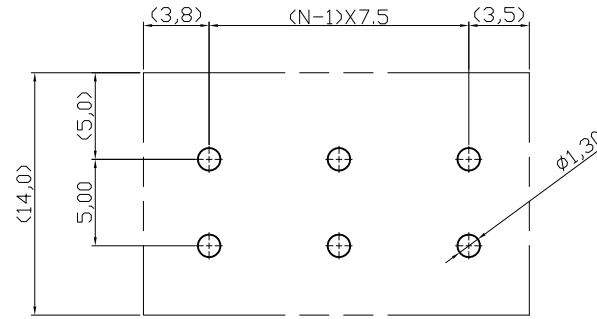
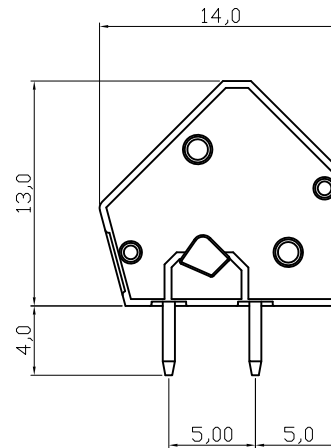


N=Number of contacts



RECOMMENDED PCB. LAYOUT



Material
 Terminal body (Contact pin): Brass
 Wire guard: Stainless steel
 Surface of solder tail: Tin plated
 Insulator (housing): Thermoplastic (UL94V-0), Grey

Electrical
 Voltage rating: 300VAC
 Current rating: 15A
 Wire range:
 Solid wire(AWG): 12-28
 Stranded wire(AWG): 12-28
 Pull force:
 Screw:
 Wire strip length: 6-7mm
 Withstanding Voltage: 1.6KV
 Operating temperature: -40°C to +115°C
 Soldering temperature: 250°C±10°C/5 Sec
 Safety approval : US

RoHS compliant

Scale	1:1						Date	Name	Customer-No.
TOLERANCE						Drawn	29.07.2009	Dean	ASSMANN WSW-No. A-TB750-HGxx
X.	±0.50					Approved	29.07.2009	Hellwig	
X.X	±0.30								
X.XX	±0.10								
DIM	TOL								Drawing-No.
X.°	±1°								ASS 3604 CO rev01
X.X°	±X°	①	Drawn	29.07.2009	Dean				
Angle	TOL	Id.	Modification	Date	Name			Replace	Sheet



ASS 3604 CO rev01

Replace Sheet

1

2

3

4

5

6

7

A

B

C

D

E

F

G

H

A

B

C

D

E

F

G

H

1

2

3

4

5

6

7

SVxxx