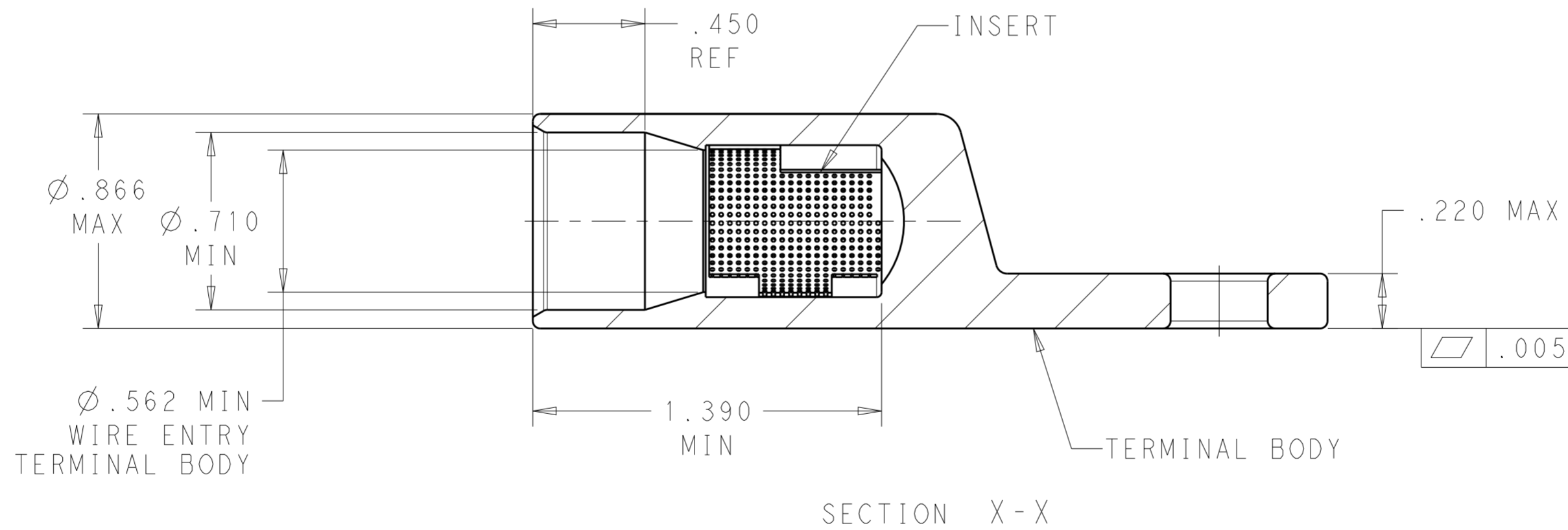
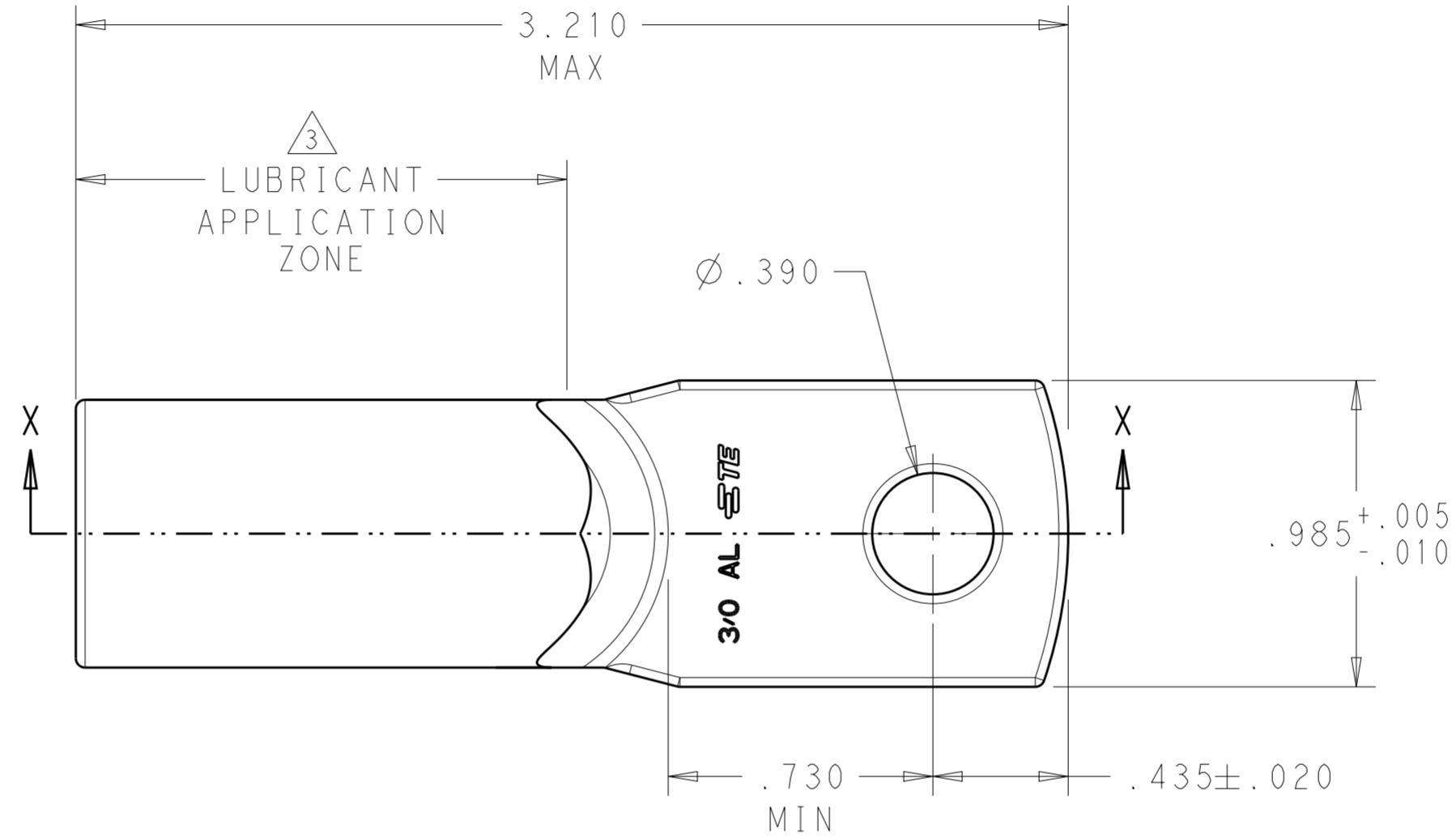
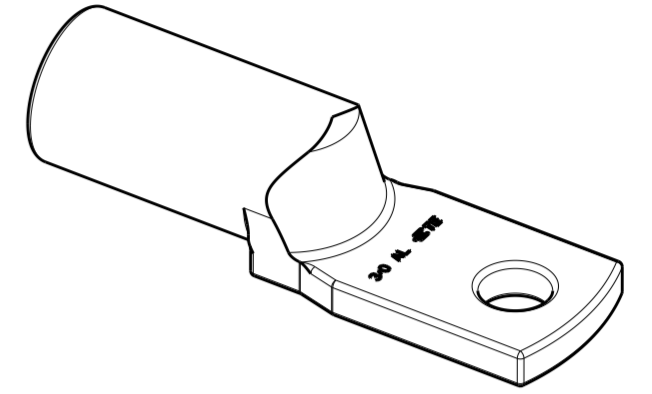


THIS DRAWING IS UNPUBLISHED. RELEASED FOR PUBLICATION 20
 © COPYRIGHT 20 BY - ALL RIGHTS RESERVED.

LOC		DIST		REVISIONS			
P	LTR	DESCRIPTION	DATE	DWN	APVD		
-	-	A	RELEASED PER ECO 15-010930	8-18-15	CT	PD	

- MATERIAL:
 BODY: ALUMINUM PER ASTM B317
 INSERT: BRASS PER ASTM B36
 - FINISH:
 BODY: .000600 MIN MATTE TIN PER ASTM B545
 OVER .000060 MIN NICKEL PER ASTM B733.
 INSERT: .000150 MIN MATTE NICKEL PER QQ-N-290
- 3 PTFE DRY LUBRICANT 360 DEGREE ON OUTER DIAMETER OF CRIMP BARREL IN ZONE SHOWN.



2102574-1
 PART NUMBER

THIS DRAWING IS A CONTROLLED DOCUMENT.		DWN D. FABIAN 15NOV2011	TE Connectivity	
DIMENSIONS: IN		CHK DEBOCK, KIM 28NOV2012		
TOLERANCES UNLESS OTHERWISE SPECIFIED:		APVD DEBOCK, KIM 28NOV2012	NAME ASSEMBLY, ALUMINUM TERMINAL, STRAIGHT, SINGLE HOLE, 3/0	
0 PLC ±- 1 PLC ±.1 2 PLC ±.01 3 PLC ±.005 4 PLC ±.0005 ANGLES ±1°		PRODUCT SPEC -	SIZE A200779	DRAWING NO C-2102574
MATERIAL SEE CALL-OUT	FINISH SEE CALL-OUT	WEIGHT -	RESTRICTED TO -	SCALE 2:1
Customer Drawing		SHEET 1	OF 1	REV A