

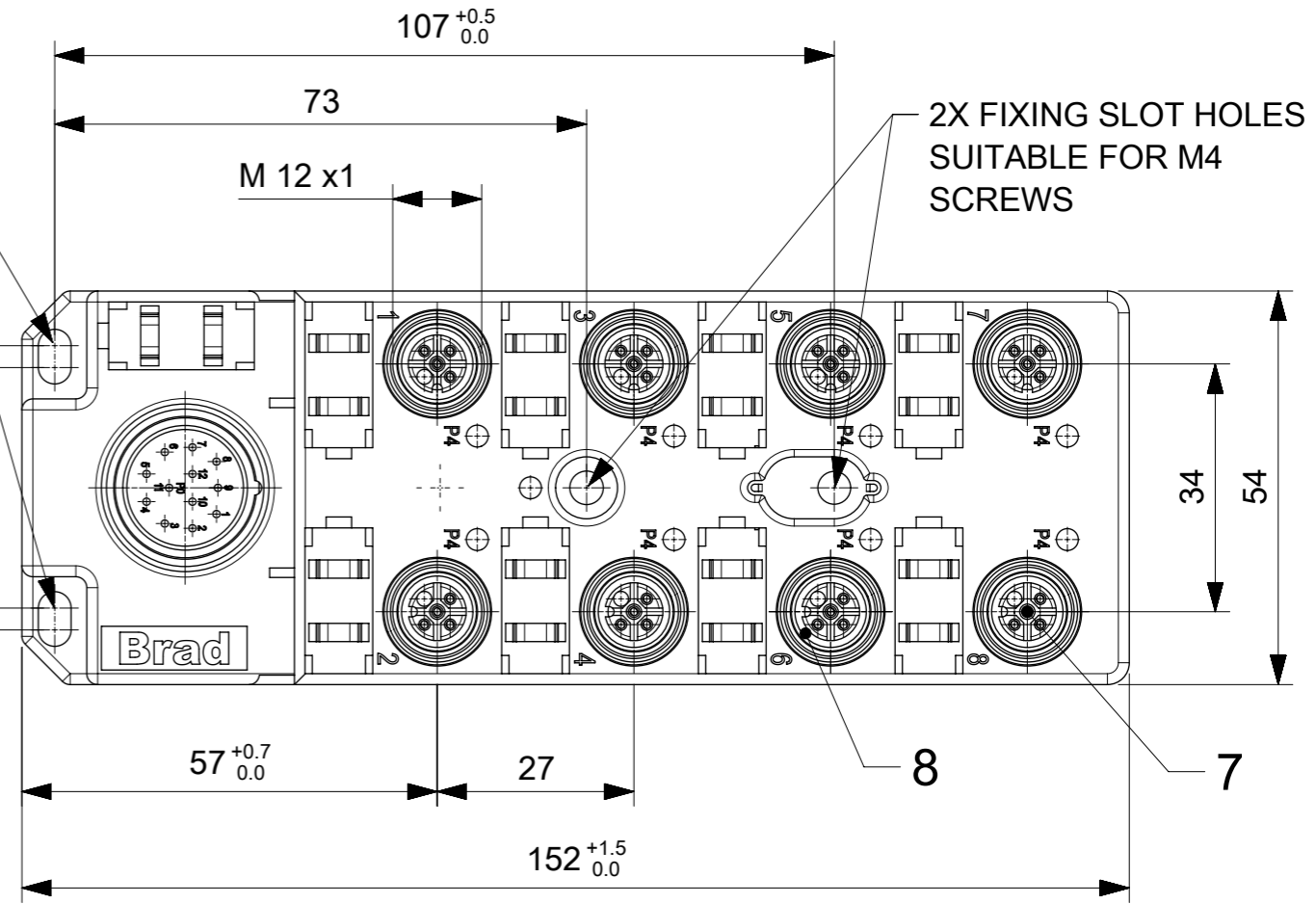
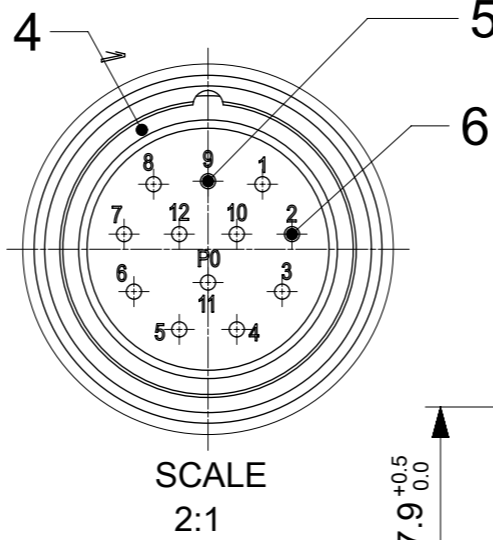
TABLE 1

MOLEX P/N	ENG. NO.	LED
1202480059	BTB8010-FBC	NO
1202480060	BTB801P-FBC	YES
1202480130	BTB801N-FBC	YES

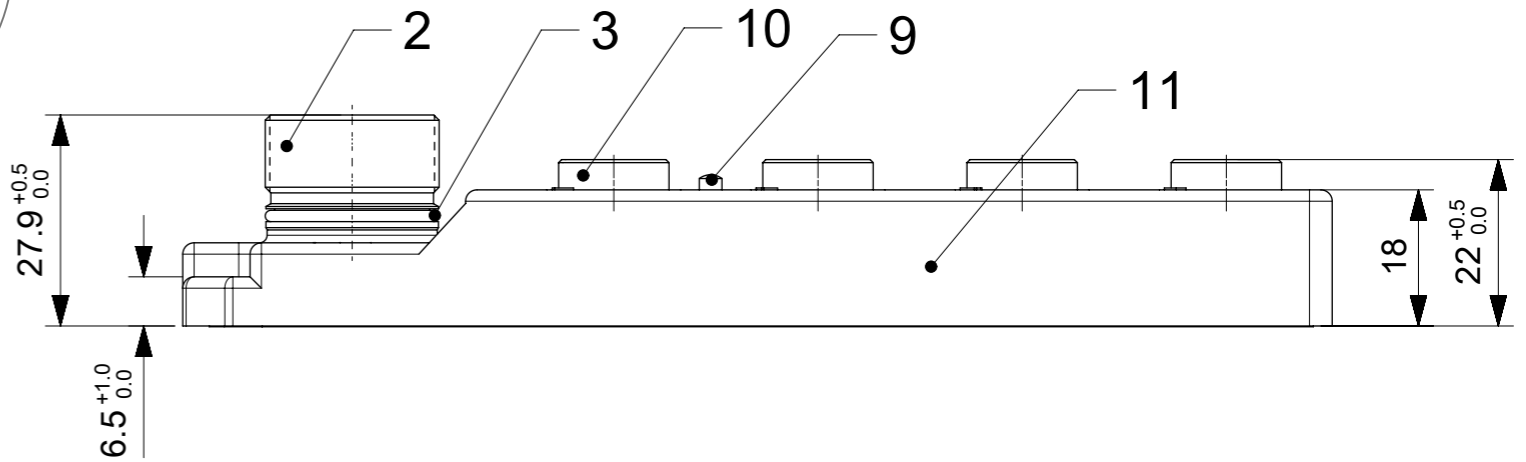
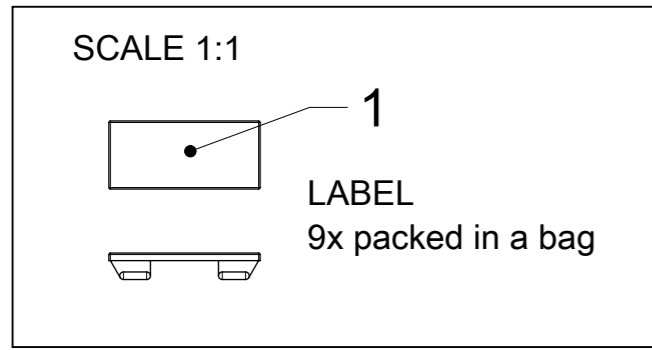
TABLE 2 BILL OF MATERIAL

ITEM	DESCRIPTION	MATERIAL	FINISH
1	LABEL	ABS	WHITE
2	SHELL	BRASS	NICKEL PLATED
3	O-RING	NBR	BLACK
4	O-RING	NBR	BLACK
5	CONTACT	BRASS	GOLD OVER NICKEL
6	CONTACT	BRASS	GOLD OVER NICKEL
7	CONTACT	BRONZE	GOLD OVER NICKEL
8	O-RING	FPM	RED
9	LED	NO LED = PA	BLACK
		WITH LED = PA	TRANSPARENT
10	SHELL	BRASS	NICKEL PLATED
11	HOUSING	PBT	BLACK
12	BLANKING PLUG	PA66	BLACK

2X FIXING SLOT HOLES
SUITABLE FOR M4
SCREWS



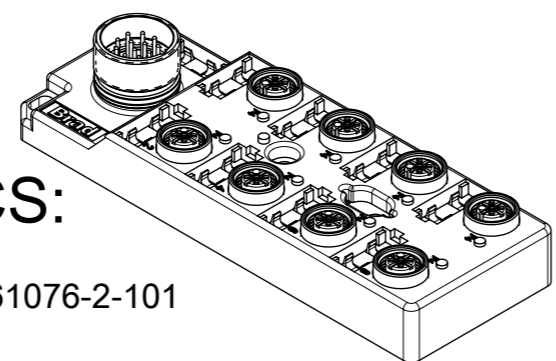
2X FIXING SLOT HOLES
SUITABLE FOR M4
SCREWS



GENERAL CHARACTERISTICS:

ELECTRICAL AND MECHANICAL DATA ACC. TO IEC 61076-2-101

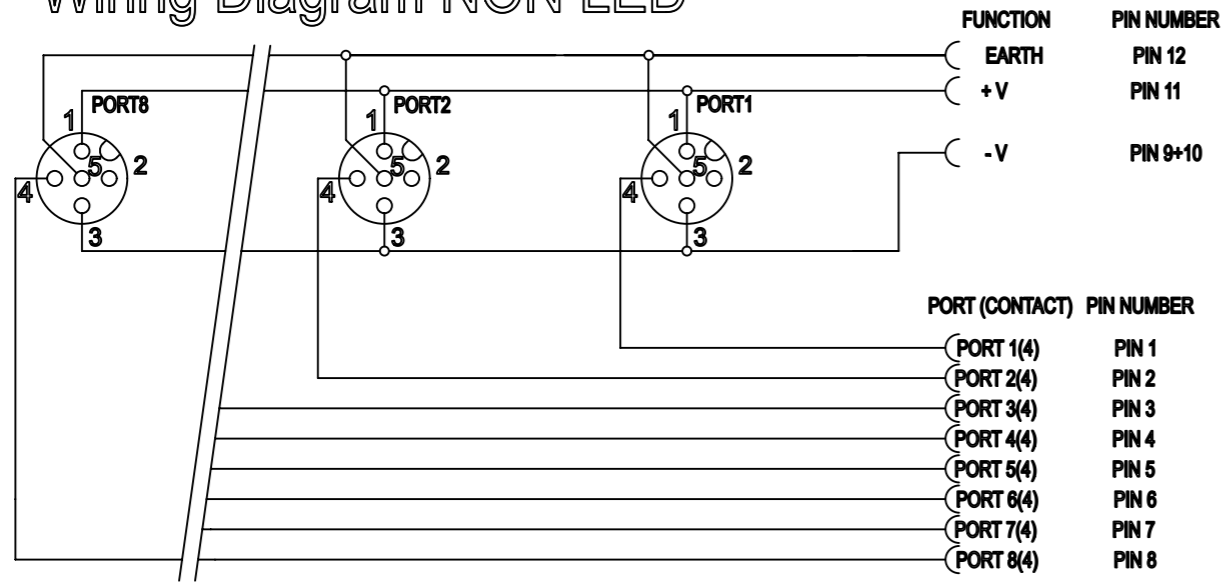
NOMINAL VOLTAGE: 10-30 V DC
 AMPERE RATING: 4 A PER PORT / 12 A MAX
 AMPERE RATING WITH UL REGISTRATION: 3 A PER PORT / 9 A MAX
 IP DEGREE OF PROTECTION: IP 67
 TEMPERATURE RANGE: -25°C to + 85°C



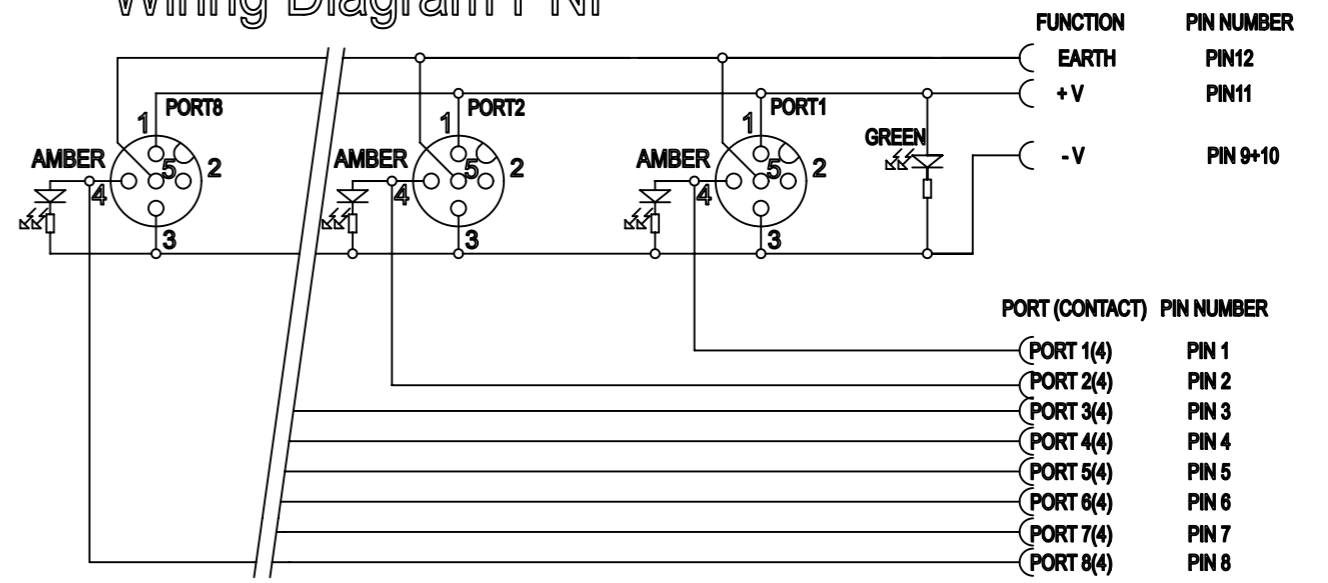
THIS DRAWING CONTAINS INFORMATION THAT IS PROPRIETARY TO MOLEX INCORPORATED AND SHOULD NOT BE USED WITHOUT WRITTEN PERMISSION

EC DESCRIPTION EC NO: 112516 DRWN: ULETTENMEIER 2016/10/27 CHK'D: APPR: RSILLER 2017/01/18 REV: A2	QUALITY SYMBOLS	GENERAL TOLERANCES (UNLESS SPECIFIED)	DIMENSION UNITS	SCALE	
	▽ = 0 ▽ = 0 ▽ = 0 ▽ = 0 ▽ = 0 ▽ = 0 ▽ = 0 ▽ = 0	ANGULAR TOL ± ° 4 PLACES ± 3 PLACES ± 2 PLACES ± 1 PLACE ± 0 PLACES ± 0.25	MM	1:1	
	DRWN BY: AAHLERS CHK'D BY: APPR BY: RSILLER DATE: 2015/04/02 DATE: 2015/05/20	DRAFT WHERE APPLICABLE MUST REMAIN WITHIN DIMENSIONS	THIRD ANGLE PROJECTION	PRODUCT CUSTOMER DRAWING	
	SERIES: 120248 MATERIAL NUMBER: SEE TABLE 1 CUSTOMER: GENERAL MARKET	DOCUMENT NUMBER: 1202480059 DOC TYPE: PSD DOC PART: 000 SHEET NUMBER: 1 OF 2			

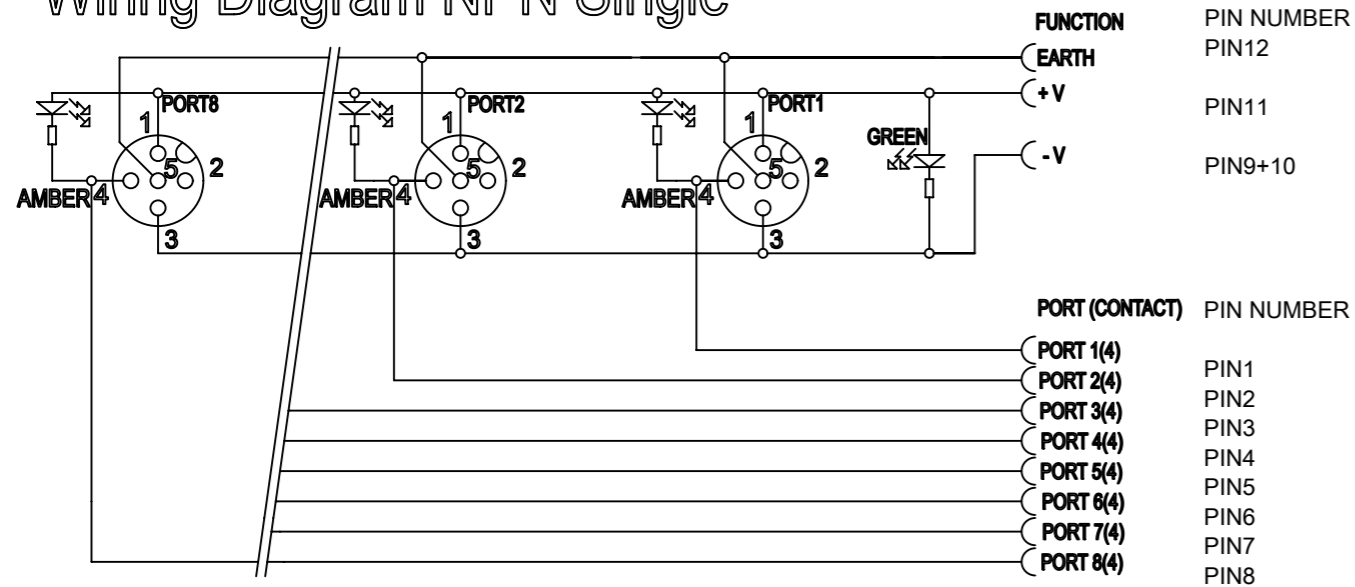
Wiring Diagram NON LED



Wiring Diagram PNP



Wiring Diagram NPN Single



THIS DRAWING CONTAINS INFORMATION THAT IS PROPRIETARY TO MOLEX INCORPORATED AND SHOULD NOT BE USED WITHOUT WRITTEN PERMISSION									
EC DESCRIPTION EC NO: 112516 DRWN: ULETTENMEIER 2016/10/27 CHK'D: APPR: RSILLER 2017/01/18	QUALITY SYMBOLS	GENERAL TOLERANCES (UNLESS SPECIFIED)		DIMENSION UNITS	SCALE				
	▽ = 0 ▽ = 0 ▽ = 0 ▼ = 0 ▽ = 0 ⊠ = 0 ■ = 0 ▽ = 0	ANGULAR TOL ± ° 4 PLACES ± 3 PLACES ± 2 PLACES ± 1 PLACE ± 0 PLACES ± 0.25	MM	1:1					
	DRWN BY	DATE	AAHLERS 2015/04/02		MPIS M12 PNP NPN NOS 4P 8PT 12P M23 BK SINGLE				
	CHK'D BY	DATE							
	APPR BY	DATE	RSILLER 2015/05/20		PRODUCT CUSTOMER DRAWING				
DRAWING SIZE	THIRD ANGLE PROJECTION	A3							
A2	REV	SERIES	MATERIAL NUMBER	CUSTOMER	GENERAL MARKET				
		120248	SEE TABLE 1						
DOCUMENT NUMBER			DOC TYPE	DOC PART	SHEET NUMBER				
1202480059			PSD	000	2 OF 2				