

PART NUMBER	PART DESCRIPTION	B	C	D	E
201841-0030	MULTICAT RCPT HSG 1X3 KEY A	27.46	24.46	17.35	3.70
201841-0031	MULTICAT RCPT HSG 1X3 KEY B	27.46	24.46	17.35	3.70
201841-0040	MULTICAT RCPT HSG 1X4 KEY A	34.86	31.86	24.75	7.40
201841-0041	MULTICAT RCPT HSG 1X4 KEY B	34.86	31.86	24.75	7.40
201841-0130	MULTICAT RCPT HSG W/ CPA 1X3 KEY A	27.46	24.46	17.35	3.70
201841-0131	MULTICAT RCPT HSG W/ CPA 1X3 KEY B	27.46	24.46	17.35	3.70
201841-0140	MULTICAT RCPT HSG W/ CPA 1X4 KEY A	34.86	31.86	24.75	7.40
201841-0141	MULTICAT RCPT HSG W/ CPA 1X4 KEY B	34.86	31.86	24.75	7.40

QUALITY SYMBOLS 	THIS DRAWING CONTAINS INFORMATION THAT IS PROPRIETARY TO MOLEX ELECTRONIC TECHNOLOGIES, LLC AND SHOULD NOT BE USED WITHOUT WRITTEN PERMISSION				molex MULTICAT IN-LINE RECEPTACLE HOUSING WTWWTB
	EC NO: 112960 DRWN: NCSR CHK'D: KPRASAD APPR: KPRASAD	PRODUCTION RELEASE 2017/01/27 2017/02/08	GENERAL TOLERANCES (UNLESS SPECIFIED) ANGULAR TOL ± ° 4 PLACES ± 3 PLACES ± 0.05 2 PLACES ± 0.1 1 PLACE ± 0.2 0 PLACES ±	DIMENSION UNITS: MM SCALE: 2:1 DRWN BY: RMV02 DATE: 2016/12/06 CHK'D BY: [blank] DATE: [blank]	
	DRAFT WHERE APPLICABLE MUST REMAIN WITHIN DIMENSIONS		DRAWING SIZE: A4 THIRD ANGLE PROJECTION:	DOCUMENT NUMBER: 2018410000-SD DOC TYPE: PSD DOC PART: 000 SHEET NUMBER: 1 OF 3	
	RELEASE STATUS: ER RELEASE DATE: 30.08.2016 12:26:09				

6

5

4

3

2

1

NOTES:

1. HOUSING MATERIAL:

- PEI,
- UL RATED 94 V-0
- COLOR: BLACK (FOR KEY-A)
- COLOR: GRAY (FOR KEY-B)

2. CPA MATERIAL:

- PBT
- COLOR: RED

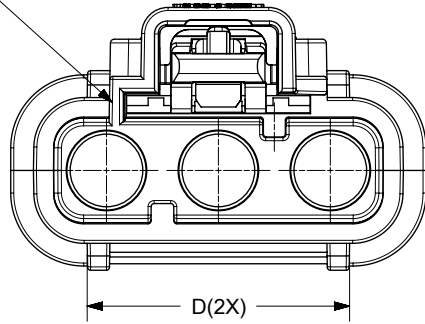
3. USED WITH TERMINAL PART NUMBER 201846-00**

4. SHALL CONFIRM TO PRODUCT SPECIFICATION 2018400000-PS

5. COMPLY WITH PACKAGING SPECIFICATION 2018410000-PK

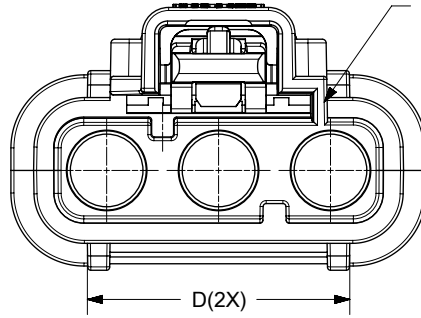
6. COSMETIC SPECIFICATION PS-45499-002 CLASS B

KEY



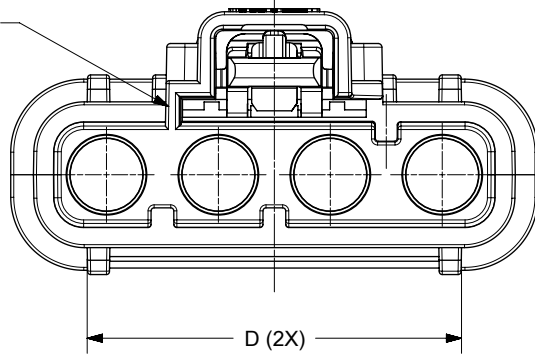
PN 201841-0*30
KEY A (BLACK)

KEY



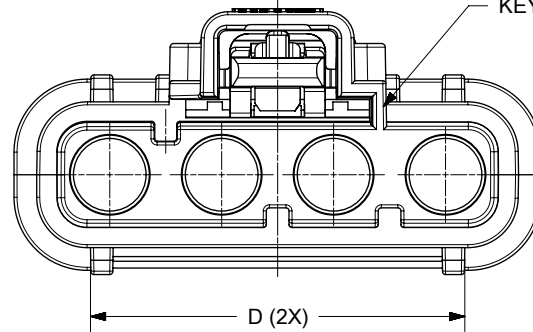
PN 201841-0*31
KEY B (GRAY)

KEY



PN 201841-0*40
KEY A (BLACK)

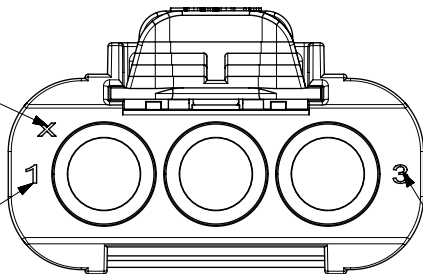
KEY



PN 201841-0*41
KEY B (GRAY)

CAVITY ID

SMALLEST
CKT NO



LARGEST
CKT NO

THIS DRAWING CONTAINS INFORMATION THAT IS PROPRIETARY TO MOLEX ELECTRONIC TECHNOLOGIES, LLC AND SHOULD NOT BE USED WITHOUT WRITTEN PERMISSION

QUALITY SYMBOLS	PRODUCTION RELEASE	2017/01/27	2017/02/08	GENERAL TOLERANCES (UNLESS SPECIFIED)		DIMENSION UNITS	SCALE
				ANGULAR TOL ±		MM	2:1
▽ = 0	EC NO: 112960 DRWN: NCSR CHK'D: APPR: KPRASAD	A	REV	4 PLACES ±	DRWN BY	DATE	
▽ = 0				3 PLACES ± 0.05	RMV02	2016/12/06	
▽ = 0				2 PLACES ± 0.1	CHK'D BY	DATE	
▽ = 0				1 PLACE ± 0.2	APPR BY	DATE	
▽ = 0				0 PLACES ±	KPRASAD	2017/02/08	
▽ = 0				DRAFT WHERE APPLICABLE MUST REMAIN WITHIN DIMENSIONS	DRAWING SIZE	THIRD ANGLE PROJECTION	
▽ = 0		A4					

molex			
MULTICAT IN-LINE RECEPTACLE HOUSING WTWWTB			
PRODUCT CUSTOMER DRAWING			
SERIES	MATERIAL NUMBER	CUSTOMER	
201841	SEE TABLE	GENERAL MARKET	
DOCUMENT NUMBER		DOC TYPE	DOC PART SHEET NUMBER
2018410000-SD		PSD	000 2 OF 3

6

5

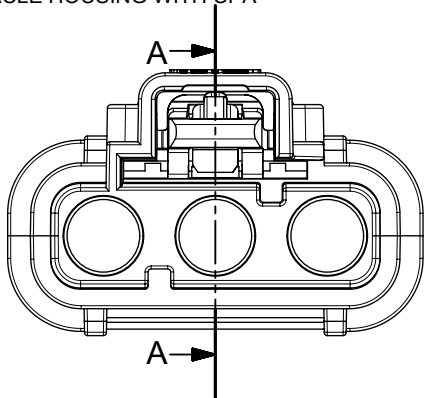
4

3

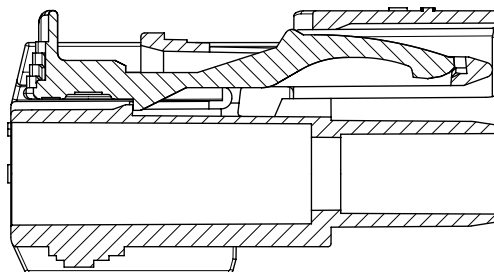
2

1

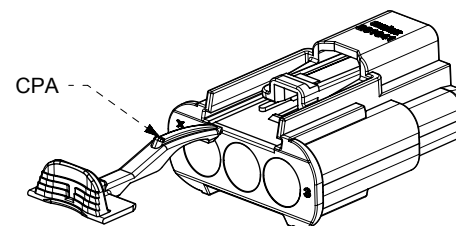
RECEPTACLE HOUSING WITH CPA



PN 201841-01**

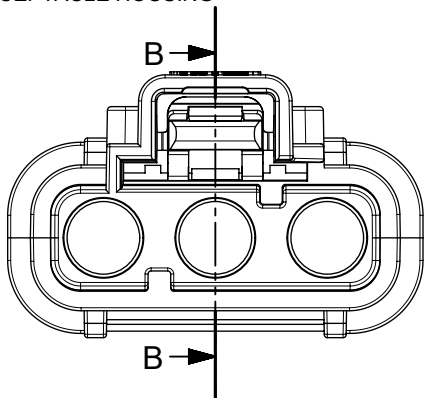


SECTION A-A

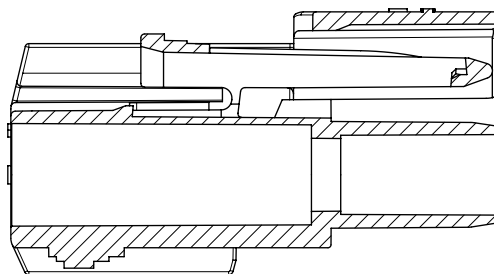


SCALE 1:1

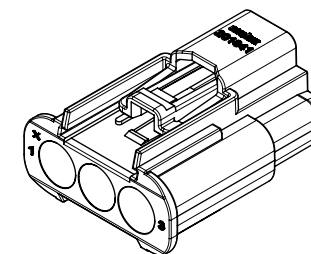
RECEPTACLE HOUSING



PN 201841-00**



SECTION B-B



SCALE 1:1

<p>QUALITY SYMBOLS</p> <p>▽ = 0</p> <p>▽ = 0</p> <p>▽ = 0</p> <p>▽ = 0</p> <p>▽ = 0</p> <p>▽ = 0</p> <p>▽ = 0</p> <p>▽ = 0</p> <p>▽ = 0</p>	THIS DRAWING CONTAINS INFORMATION THAT IS PROPRIETARY TO MOLEX ELECTRONIC TECHNOLOGIES, LLC AND SHOULD NOT BE USED WITHOUT WRITTEN PERMISSION											
	PRODUCTION RELEASE		2017/01/27		2017/02/08		GENERAL TOLERANCES (UNLESS SPECIFIED)		DIMENSION UNITS		SCALE	
	EC NO: 112960		DRWN: NCSR		CHK'D:		ANGULAR TOL ±		MM		2:1	
	REV: A		APPR: KPRASAD		DRAFT WHERE APPLICABLE MUST REMAIN WITHIN DIMENSIONS		4 PLACES ±		DRWN BY		DATE	
							3 PLACES ± 0.05		RMV02		2016/12/06	
							2 PLACES ± 0.1		CHK'D BY		DATE	
							1 PLACE ± 0.2		APPR BY		DATE	
							0 PLACES ±		KPRASAD		2017/02/08	
							DRAFT WHERE APPLICABLE MUST REMAIN WITHIN DIMENSIONS		DRAWING SIZE		THIRD ANGLE PROJECTION	
									A4			

molex

MULTICAT IN-LINE RECEPTACLE HOUSING
WTWWTB

PRODUCT CUSTOMER DRAWING

SERIES	MATERIAL NUMBER	CUSTOMER
201841	SEE TABLE	GENERAL MARKET
DOCUMENT NUMBER	DOC TYPE	DOC PART
2018410000-SD	PSD	000
SHEET NUMBER		3 OF 3