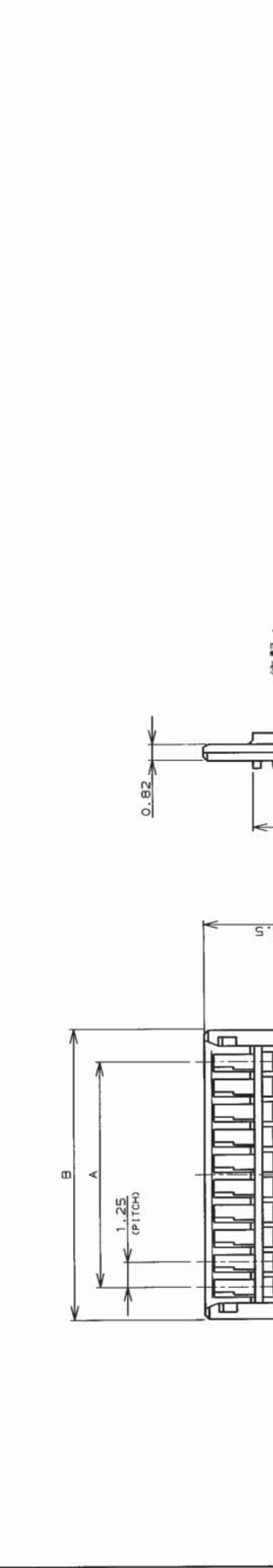


THIS DRAWING IS UNPUBLISHED. BY AMP INCORPORATED. ALL RIGHTS RESERVED. © COPYRIGHT 1981

REVOLUTIONS					
P	LTR	DESCRIPTION	ECN	DATE	DWN APVD
	0	作成	FJ00-4445-96	4/26 '96	T.H S.K
	A	変更	FJ00-4445-96	5/30 '96	T.H S.K
	B	変更	FJ00-4886-96	6/18 '96	T.H S.K
	C	変更	FJ00-5462-96	10/3 '96	T.H S.K
	D	変更	FJ00-0408-97	5/16 '97	Y.N K.A
	E	変更	FJ00-0851-00	11/16 '97	Y.N K.A



注記:
 1. 嵌合相手製品番号: 353073 (オフセット タイプ リセプトアルファセンプリ)
 353088 (H タイプ リセプトアルファセンプリ)
 2. 適合コネクタ製品番号: 353069 (タブコネクタ)
 3. 材料: 66NYLON, GF20%, UL94V-0
 色 茶 (自然色)

NOTE:
 1. MATING CONNECTOR PART NUMBER, 353073 (OFFSET TYPE RECEPTACLE ASS'Y)
 353088 (H-TYPE RECEPTACLE ASS'Y)
 2. APPLICABLE CONTACT PART NUMBER, 353069 (TAB CONTACT)
 3. MATERIAL: 66NYLON, GF20%, UL94V-0
 COLOR: BROWN (NATURAL)

27.65	26.95	23.75	20	2-353068-0
20.15	19.45	16.25	14	1-353068-4
12.65	11.95	8.75	8	0-353068-8
11.4	10.7	7.5	7	0-353068-7
C				極数 POS. 型番 PART No.

THIS DRAWING IS A CONTROLLED DOCUMENT FOR AMP. UNLESS OTHERWISE SPECIFIED, ORGANIZATION SHOULD BE CONTACTED FOR THE LATEST REVISION.

CHK T. HASHIMOTO 4/26 '96
 K. ASAKAWA 4/26 '96
 S. KUBOUCHI 5/16 '97

PRODUCT SPEC
 108-5531
 APPLICATION SPEC
 発行運用規程

FINISH 仕上げ

WEIGHT //

SCALE 1/1

SHEET 1 OF 1

REV E

CUSTOMER DRAWING

AMP
 Tyco Electronics AMP K.K.
 Kawasaki, Japan

1.25mm PITCH W-T0-B CONN.
 AMP SLIM
 TAB HOUSING

SIZE A3
 CAGE CODE 00779
 DRAWING NO. 353068