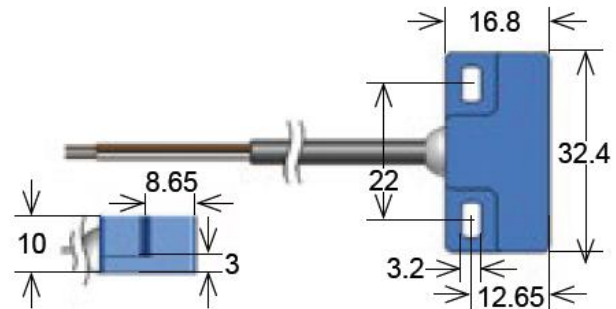


MK02 Series Reed Sensors



- Features: Ferrous Metal Detection, Front or Above Operation, Choice of Cable Termination & Lengths
- Applications: Door & Window Control, Fire Protection Doors, Safety & Interlock Sensing & Others
- Markets: Appliance, Industrial, Security & Others

Part Description: **MK 02/0-0X00-000X**

Operation Series	Contact QTY	Contact Form	Switch Model	Cable Length (mm)	Termination
0, 1, 2, 3, 4	01	A, B, C	66, 90	200, 300, 500, 1000, 1500, 2000, 3000, 5000	w

Customer Options	Switch Model		Unit
	66	90	
Contact Data			
Rated Power (max.) Any DC combination of V&A not to exceed their individual max.'s	10	10	W
Switching Voltage (max.) DC or peak AC	200	175	V
Switching Current (max.) DC or peak AC	0.5	0.5	A
Carry Current (max.) DC or peak AC	1.00	1.0	A
Contact Resistance (max.) @ 0.5V & 50mA	150	150	mOhm
Breakdown Voltage (min.) According to EN60255-5	0.25	0.2	kVDC
Operating Time (max.) Incl. Bounce; Measured with w/ Nominal Voltage	0.7	0.7	ms
Release Time (max.) Measured with no Coil Excitation	0.05	1.5	ms
Insulation Resistance (typ.) Rh<45%, 100V Test Voltage	10 ¹⁰	10 ⁹	GOhm
Capacitance (typ.) @ 10kHz across open Switch	0.3	1.5	pF

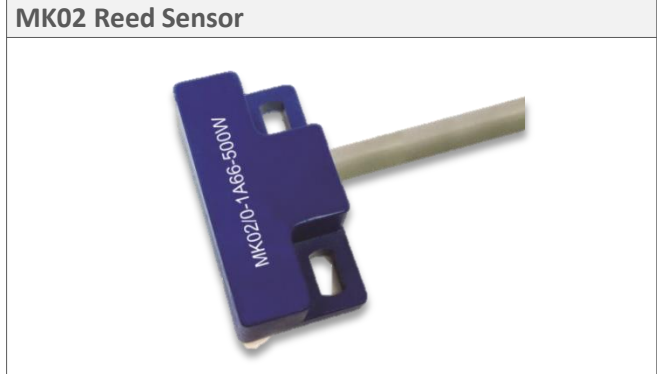
Series Datasheet – MK02 Reed Sensors

www.standexmeder.com

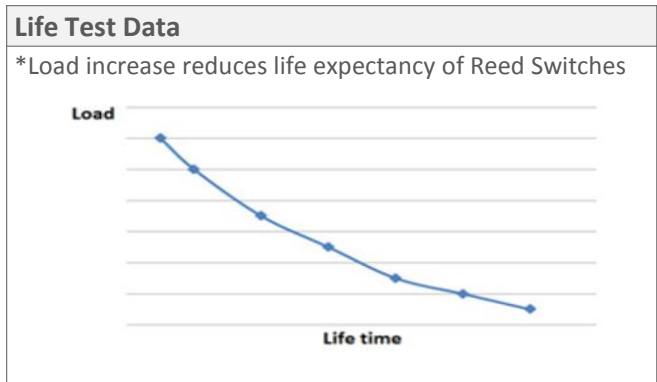
Housing and Cable Specifications	
Housing Material	PBT Glass Fibre Reinforced
Case Color	Blue
Sealing Compound	Polyurethan
Cable Typ	Round Cable
Cable Material	PVC
Cross Section (mm ²)	4 x 0.14 / 2 x 0.25

Environmental Data		Unit
Shock Resistance (max.) 1/2 sine wave duration 11ms	50	g
Vibration Resistance (max.)	20	g
Operating Temperature Cable not moved	-5 to 80	°C
Operating Temperature Cable moved	-30 to 80	°C
Storage Temperature	-30 to 80	°C

Glossary Contact Form		
Form A	NO = Normally Open Contacts SPST = Single Pole Single Throw	
Form B	NC = Normally Closed Contacts SPST = Single Pole Single Throw	
Form C	Changeover SPDT = Single Pole Double Throw	



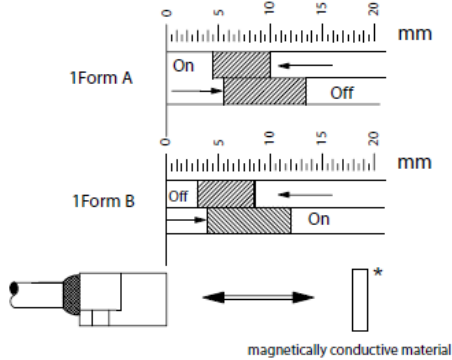
- ### Handing & Assembly Instructions
- Max torque of screw is 1Nm
 - Cable bending-radius is diameter x 15
 - Min. bending distance to housing is 5mm
 - Drag mark out of the mounting area forbidden
 - Decrease switching distance by mounting on iron
 - Do not use magnetically inductive screws
 - Series resistor recommended for > 5m cable length



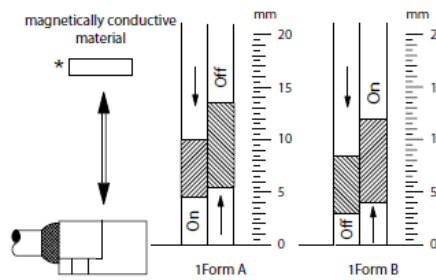
Operation Series – Screw Flange Mount

For best operation it is recommended that you DO NOT mount these sensors on any ferromagnetic material OR use any ferromagnetic screws.

MK02/0 Operation from the Front
MK02/2

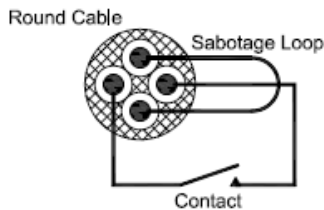


MK02/1 Operation from above
MK02/3



* Dimension (mm): 3 x 12 x 32

The standard cable is a 4-wire round - core 4 x 0.14 mm² (cable sheath and wires are white) forming a sabotage loop. See example of this loop to the right.



Sabotage loop for
MK02/2, MK02/3