

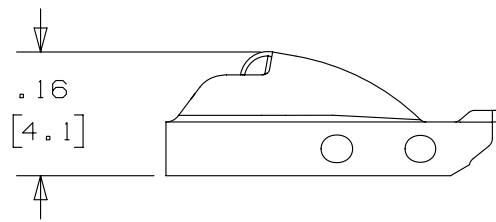
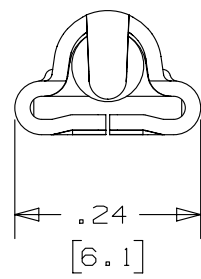
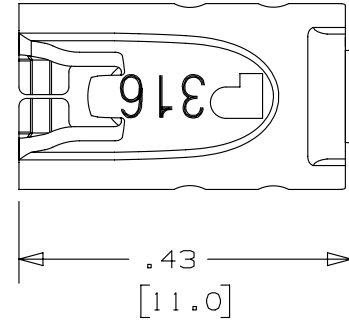
2

1

THIS COPY IS PROVIDED ON A RESTRICTED BASIS AND IS NOT TO BE USED IN ANY WAY DETRIMENTAL TO THE INTERESTS OF PANDUIT CORP.

NOTES:

1. TO BE USED WITH PANDUIT STAINLESS STEEL BANDING MBS-MR316 & MBS-TLR316. (A)
2. APPLICATION TOOL: GS4MT, PPTMT, ST2MT, ST3MT, AND HTMT.
3. TOOL TENSION SETTING: 1 TO 4 (GS4MT & PPTMT TOOLS ONLY).
4. DIMENSIONS IN [ ] ARE MILLIMETERS.
5. MINIMUM LOOP TENSILE STRENGTH: 100 lbs. [ 445 N ].
6. TOLERANCES: .XXX = ±.010 [ .254 ]  
 .XX = ±.02 [ .508 ]  
 .X = ±.03 [ .762 ]  
 ANGLES = ±2°



REV	DATE	BY	CHK	APR	DESCRIPTION	ECN
02A	3/13	JAMB	MIM	RGRO	UPDATE DRAWING TO NEW GLOBAL PANDUIT TITLE BLOCK WITH PANDUIT LOGO. ORIG CAD FILE SPEC WAS S41146_01	SSECN01042
01	10/03	BRH	DPN	JJB	(A) ADDED ST3MT TO APPLICATION TOOL NOTE	11162
00	8/03	JAMB	DPN	JJB	DRAWING RELEASED	10938

<p>TITLE</p> <p style="text-align: center;"><b>METAL LOCKING TIE HEAD STANDARD PART #MTHS-C316</b></p> <p style="text-align: center;">CUSTOMER DRAWING</p>					
<p>ITEM REVISION NAME</p> <p style="text-align: center;">N41146BS/02</p>					
<p>DATASET FILE NAME</p> <p style="text-align: center;">N41146BS/02</p>					
<p>UNLESS OTHERWISE SPECIFIED, DIMENSIONAL TOLERANCES ARE: IN [ mm ]</p> <p>.x ± .1 [ 2.54 ]      .xxx ± .005 [ .127 ]          .xx ± .01 [ .25 ]      ANGLES ± 5 °</p>					
<p style="text-align: center;"> </p> <p style="text-align: center;">THIRD ANGLE PROJECTION</p>					
<p>DRAWN BY</p> <p>JAMB</p>	<p>DATE</p> <p>8-12-03</p>	<p>CHK</p> <p>DPN</p>	<p>SCALE</p> <p>4:1</p>	<p>DRAWING NUMBER:</p> <p>N41146BS_DC</p>	<p>SIZE</p> <p>A</p>
				<p>SHT 1 OF 1</p>	

2

1