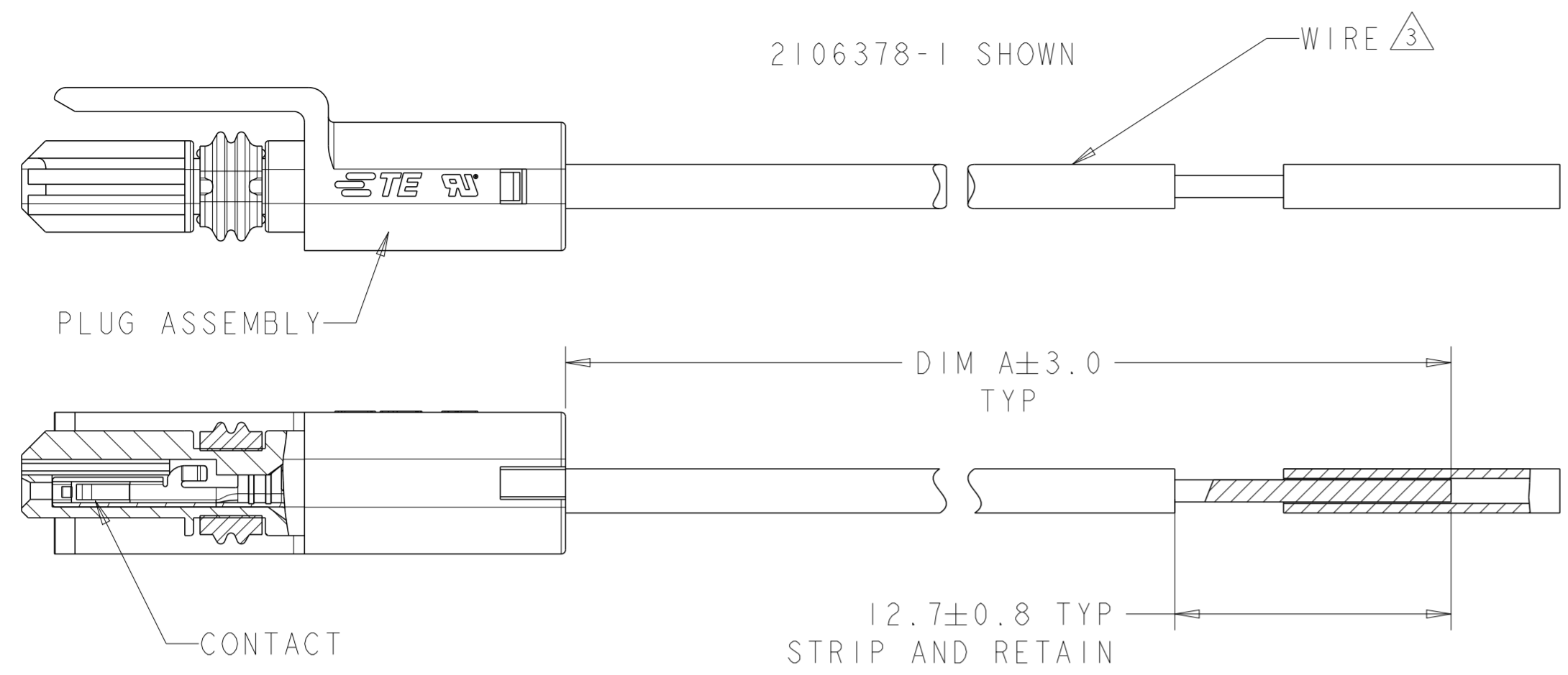
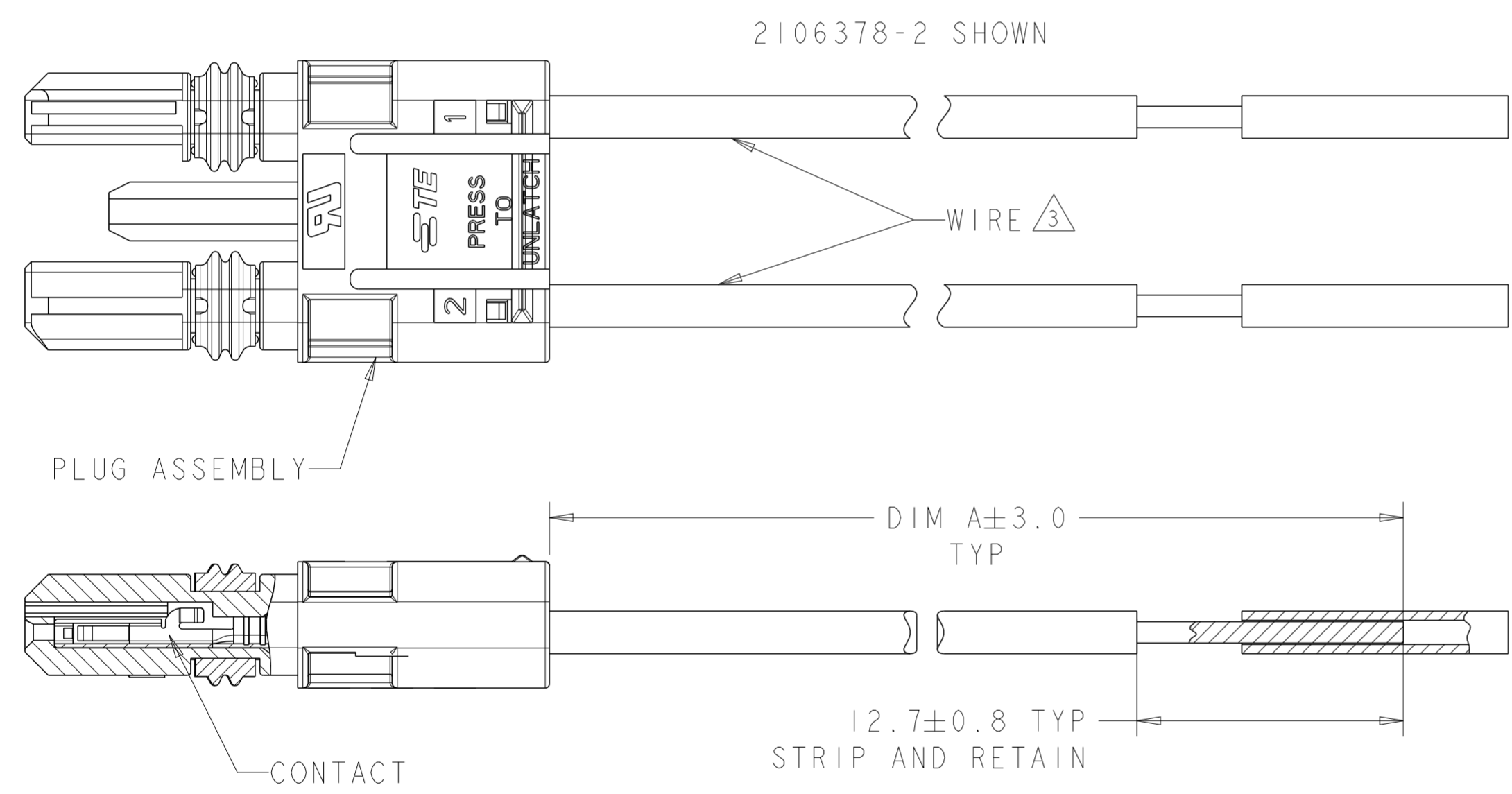


THIS DRAWING IS UNPUBLISHED. RELEASED FOR PUBLICATION 20  
 © COPYRIGHT 20 BY - ALL RIGHTS RESERVED.

LOC	DIST	REVISIONS					
GP	00	P	LTR	DESCRIPTION	DATE	DWN	APVD
		B		REVISED PER ECO-11-006746	04/APR/11	ECC	PJB
		C		REVISED PER ECR-11-013082	23/JUN/11	ECC	PJB
		E		ECR-12-019784	19NOV2012	TB	DM



- ⚠ MATERIALS AND FINISH:  
 - CONTACTS: COPPER ALLOY  
 FINISH: TIN IN CONTACT AREA OVER NICKEL UNDERPLATE  
 - WIRE: 18 AWG, STRANDED, UL 1007 STYLE
- 2. MUST COMPLY WITH DIRECTIVE 2002/95/EC (ROHS)
- ⚠ REFERENCE CHART FOR SPECIFIC WIRE COLOR/POSITION.
- ⚠ CONTACTS 0.000381 THK GOLD STRIPE PRE-PLATED STOCK, REF.



⚠	304.8	20 AWG	4	3-2106378-3
⚠	304.8	20 AWG	2	3-2106378-1
⚠	101.6	20 AWG	2	2-2106378-8
	381.0	18 AWG	2	2-2106378-6
	304.8	24 AWG	4	2-2106378-5
	304.8	24 AWG	3	2-2106378-4
	304.8	24 AWG	2	2-2106378-3
	101.6	24 AWG	4	2-2106378-2
	101.6	24 AWG	3	2-2106378-1
	101.6	24 AWG	2	2-2106378-0
	304.8	22 AWG	4	1-2106378-9
	304.8	22 AWG	3	1-2106378-8
	304.8	22 AWG	2	1-2106378-7
	101.6	22 AWG	4	1-2106378-6
	101.6	22 AWG	3	1-2106378-5
	101.6	22 AWG	2	1-2106378-4
	304.8	20 AWG	4	1-2106378-3
	304.8	20 AWG	3	1-2106378-2
	304.8	20 AWG	2	1-2106378-1
	101.6	20 AWG	4	1-2106378-0
	101.6	20 AWG	3	2106378-9
	101.6	20 AWG	2	2106378-8
	304.8	18 AWG	4	2106378-7
	304.8	18 AWG	3	2106378-6
	304.8	18 AWG	2	2106378-5
	101.6	18 AWG	4	2106378-4
	101.6	18 AWG	3	2106378-3
	101.6	18 AWG	2	2106378-2
	101.6	18 AWG	1	2106378-1
DIM A	WIRE SIZE	POSN	PART NO.	

WIRE COLOR CHART

4	-	-	-	BLUE	-	-	BLUE	-	-	BLUE	-	-	BLUE	-	-	BLUE	-	-	BLUE	-	-	BLUE	-	-	BLUE	-	
3	-	-	WHITE	WHITE	-	WHITE	WHITE	-	WHITE	WHITE	-	WHITE	WHITE	-	WHITE	WHITE	-	WHITE	WHITE	-	WHITE	WHITE	-	WHITE	WHITE	-	
2	-	RED	RED	RED	RED	RED	RED	RED	RED	RED	RED	RED	RED	RED	RED	RED	RED	RED	RED	RED	RED	RED	RED	RED	RED	RED	BLACK
1	BLACK	BLACK	BLACK	BLACK	BLACK	BLACK	BLACK	BLACK	BLACK	BLACK	BLACK	BLACK	BLACK	BLACK	BLACK	BLACK	BLACK	BLACK	BLACK	BLACK	BLACK	BLACK	BLACK	BLACK	BLACK	BLACK	RED
POS	-1	-2	-3	-4	-5	-6	-7	-8	-9	-10	-11	-12	-13	-14	-15	-16	-17	-18	-19	-20	-21	-22	-23	-24	-25	-26	

4	-	-	-	-	-	-	BLUE
3	-	-	-	-	-	-	WHITE
2	-	RED	-	-	RED	-	RED
1	-	BLACK	-	-	BLACK	-	BLACK
POS	-27	-28	-29	-30	-31	-32	-33

THIS DRAWING IS A CONTROLLED DOCUMENT.

DWN R BROWN 16APR2009  
 CHK M MOSTOLLER 16APR2009  
 APVD -

TE Connectivity

CABLE ASSEMBLY, PLUG, SLIMSEAL SSL CONNECTOR

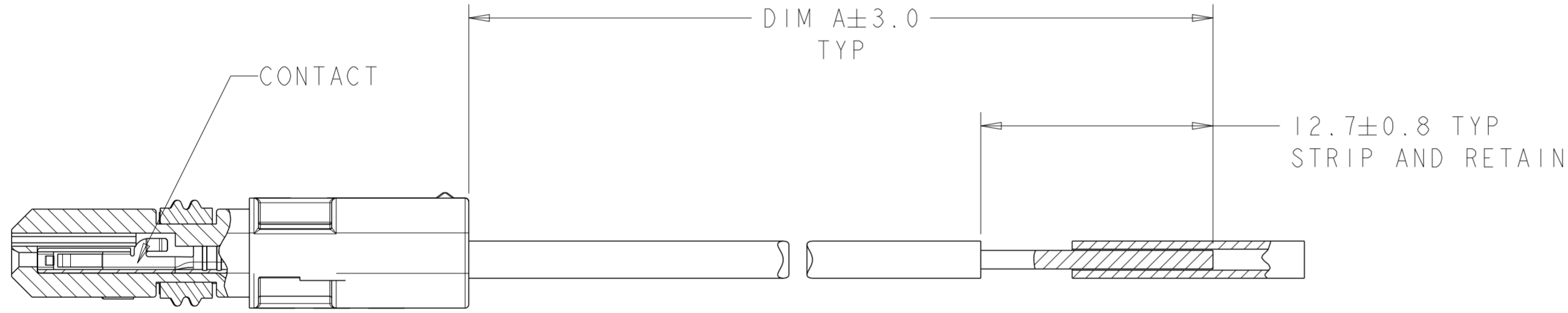
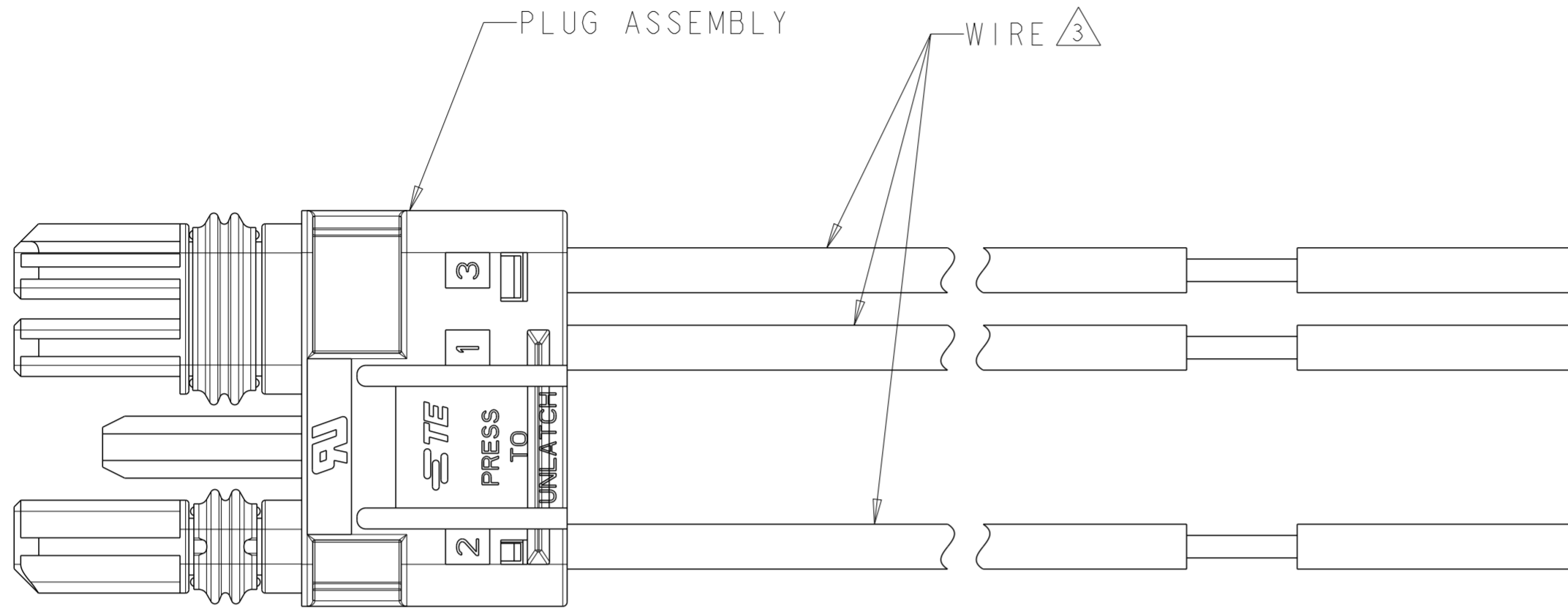
SIZE: A2 CAGE CODE: 00779 DRAWING NO: 2106378 RESTRICTED TO: -

MATERIAL: - DIMENSIONS: mm TOLERANCES UNLESS OTHERWISE SPECIFIED: 0 PLC ±, 1 PLC ±0.2, 2 PLC ±, 3 PLC ±, 4 PLC ±, ANGLES ±, FINISH ±

PRODUCT SPEC: - APPLICATION SPEC: - WEIGHT: - SCALE: 1:1 SHEET 1 OF 3 REV E

THIS DRAWING IS UNPUBLISHED. RELEASED FOR PUBLICATION 20  
 © COPYRIGHT 20 BY - ALL RIGHTS RESERVED.

LOC	DIST	REVISIONS					
GP	00	P	LTR	DESCRIPTION	DATE	DWN	APVD
		-		SEE SHEET 1	-	-	-

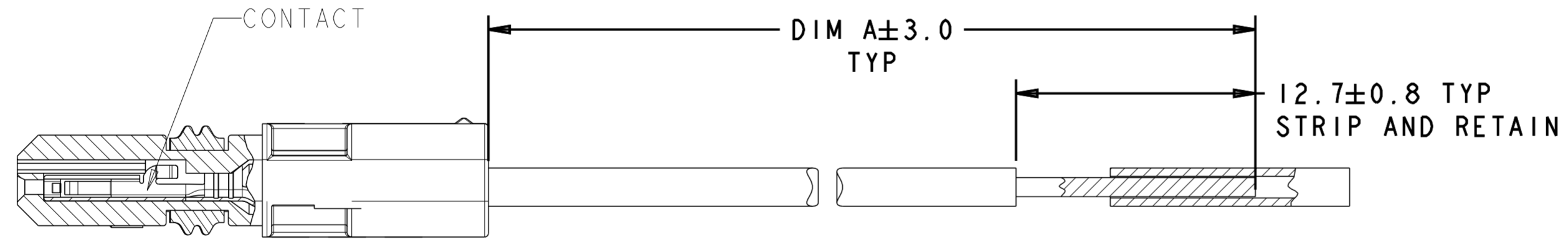
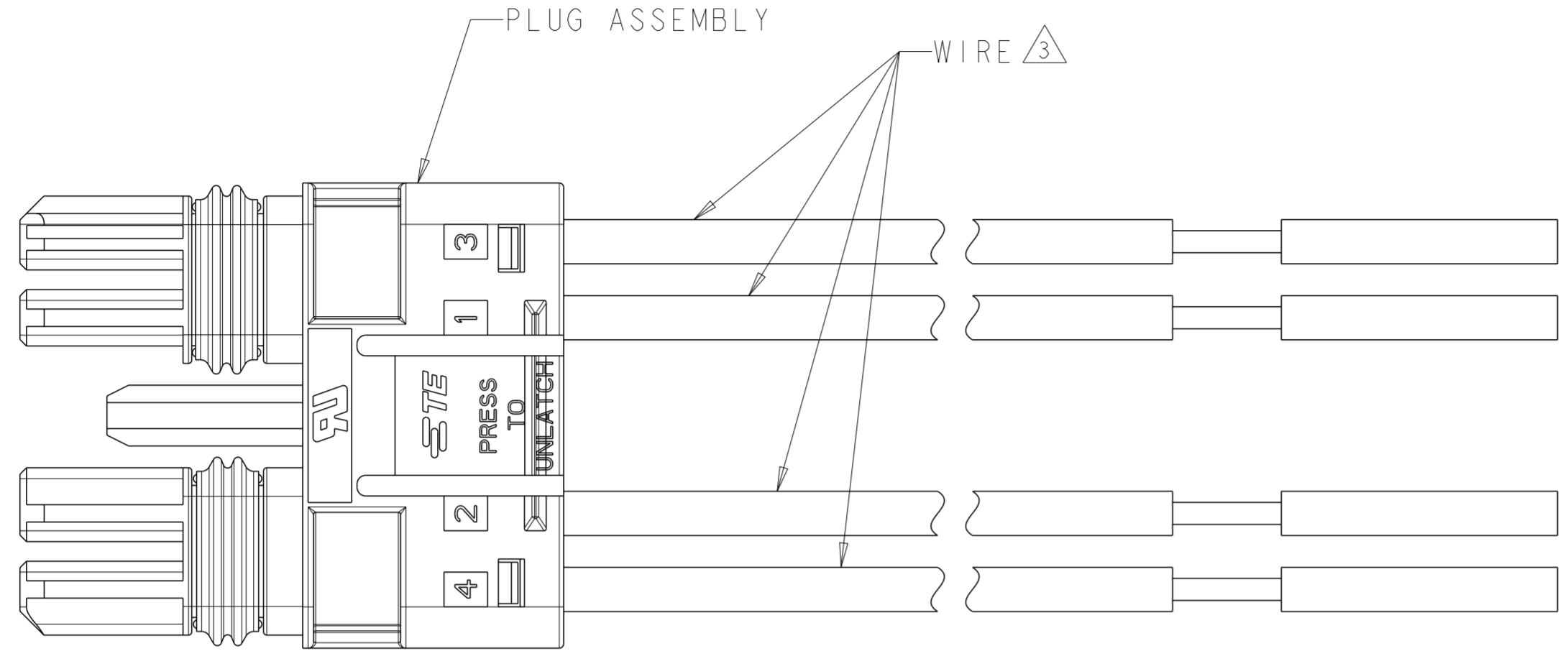


2106378-3 SHOWN

THIS DRAWING IS A CONTROLLED DOCUMENT.		DWN R BROWN 16APR2009	TE Connectivity	
DIMENSIONS: mm		CHK M MOSTOLLER 16APR2009		
TOLERANCES UNLESS OTHERWISE SPECIFIED:		APVD -	NAME CABLE ASSEMBLY, PLUG, SLIMSEAL SSL CONNECTOR	
0 PLC ± 1 PLC ±0.2 2 PLC ± 3 PLC ± 4 PLC ±		PRODUCT SPEC -	SIZE A200779	
MATERIAL -		FINISH -	APPLICATION SPEC -	DRAWING NO C-2106378
		WEIGHT -	RESTRICTED TO -	SCALE 1:1
		CUSTOMER DRAWING	SHEET 2	OF 3
			REV E	

THIS DRAWING IS UNPUBLISHED. RELEASED FOR PUBLICATION 20  
 © COPYRIGHT 20 BY - ALL RIGHTS RESERVED.

LOC	DIST	REVISIONS					
GP	00	P	LTR	DESCRIPTION	DATE	DWN	APVD
		-		SEE SHEET 1	-	-	-



2106378-4 SHOWN

THIS DRAWING IS A CONTROLLED DOCUMENT.		DWN R BROWN 16APR2009	TE Connectivity	
DIMENSIONS: mm		CHK M MOSTOLLER 16APR2009		
TOLERANCES UNLESS OTHERWISE SPECIFIED:		APVD -	NAME CABLE ASSEMBLY, PLUG, SLIMSEAL SSL CONNECTOR	
0 PLC ±-		PRODUCT SPEC -	SIZE A200779	
1 PLC ±0.2		APPLICATION SPEC -	CAGE CODE C-2106378	DRAWING NO -
2 PLC ±-		WEIGHT -	RESTRICTED TO -	
3 PLC ±-		CUSTOMER DRAWING	SCALE 1:1	SHEET 3 OF 3
4 PLC ±-			REV E	
ANGLES ±-				
FINISH				