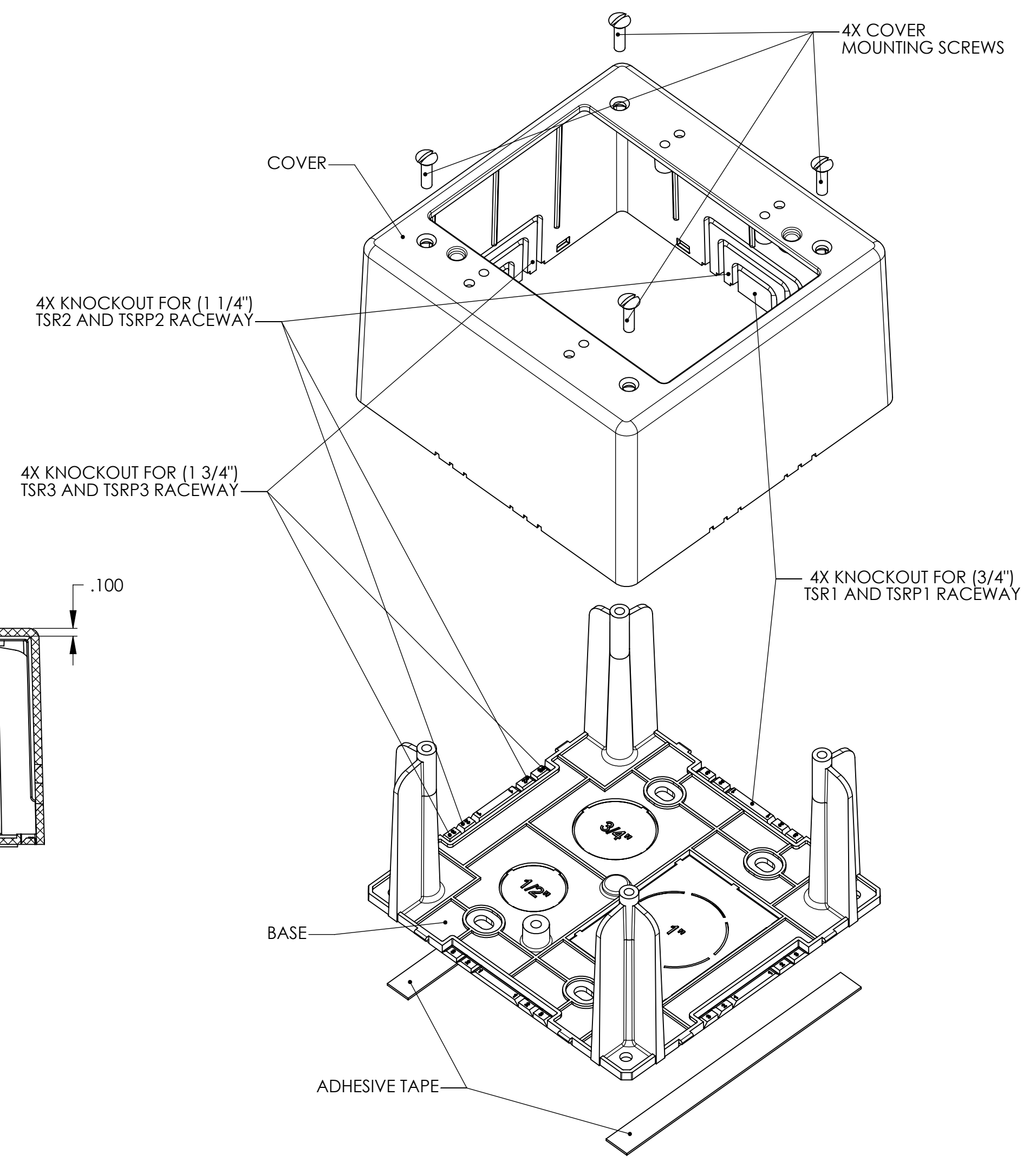


BOTTOM VIEW SHOWN WITHOUT ADHESIVE TAPE



PART NO. DESCRIPTION

TSR_-JBD2

COLOR:
I = IVORY
FW = OFFICE WHITE
W = WHITE
(FOR OTHER COLORS CONTACT FACTORY)

PART NUMBER	DESCRIPTION
TSRP_-JBD2	POWER-RATED SYSTEM
TSR_-JBD2	LOW VOLTAGE SYSTEM

HellermannTyton
ALL PROPRIETARY RIGHTS IN THE SUBJECT MATTER SHOWN ON THIS DRAWING ARE EXCLUSIVE PROPERTY OF HELLERMANNTYTON

name	date	city, state

- NOTES**
- ADHESIVE BACKED BASE FOR EASY PLACEMENT OF BOX DURING ASSEMBLY
 - SCREWS PROVIDED FOR MOUNTING OF COVER TO BASE
 - KNOCKOUT ENTRIES FOR ALL 3 SIZES OF TSR AND TSRP RACEWAY
 - TALL PROFILE
 - PAINTABLE WITH LATEX BASED PAINT
 - FACE PLATE MOUNTS TO COVER DIRECTLY FOR EASY ACCESS
 - TWO DIFFERENT SETS OF MOUNTING HOLES FOR SURFACE MOUNT OR FOR MOUNTING DIRECTLY TO A FLUSH WALL JUNCTION BOX VIA LARGE RECTANGULAR KNOCKOUT IN BASE
 - BASE IS RIBBED FOR STABILITY

REVISION

level	05
by	KAC
date	04/07/2009
ECN #	011287
part level	-

TOLERANCES

.XXXX	= ±.0005
.XXX	= ±.005
.XX	= ±.01
.X	= ±.03
∠	= ±0.5°

unless otherwise specified
units inches

PART

number	SEE CHART	phase	Production
name	TSR-JBD2 & TSRP-JBD2 DEEP DUAL GANG JUNCTION BOX SURFACE RACEWAY CONNECTOR		
material	PVC		

DRAWING

format	CAD	SW 2006	scale	3:4
computer file name	DT08-023-003CST_05	previous drawing number		
drawn	KAC	checked	KAC	approved
date	05/20/2008	date	04/07/2009	
type	Customer	sheet 1 of 1		
number	DT08-023-003CST			