

- Low Insertion Loss L-Band SAW Filter
- 3.0 X 3.0 mm Surface-Mount Case
- Complies with Directive 2002/95/EC (RoHS)

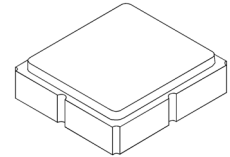


**Absolute Maximum Ratings**

Rating	Value	Units
Maximum Incident Power in Passband	+10	dBm
DC Voltage on any Non-ground Terminal	5	V
Operating Temperature Range	-30 to +85	°C
Storage Temperature Range in Tape and Reel	-40 to +85	°C
Maximum Soldering Profile, 5 Cycles Maximum	265 °C for 10 s	

**SF2036E**

**1880 MHz  
SAW Filter**



**SM3030-6**

**Electrical Characteristics**

Characteristic	Sym	Notes	Min	Typ	Max	Units
Center Frequency	$f_C$			1880		MHz
Insertion Loss, 1850 to 1910 MHz	IL			2.45	4.0	dB
Amplitude Ripple, 1850 to 1910 MHz				1.2	2.5	dB <sub>p-p</sub>
Attenuation Referenced to 0 dB:						
DC to 1660 MHz			20	32		dB
1660 to 1721 MHz			30	35		dB
1721 to 1800 MHz			20	37		dB
1930 to 1990 MHz			7	19		dB
2000 to 2040 MHz			25	37		dB
2040 to 2480 MHz			31	38		dB
3700 to 3820 MHz			25	35		dB
Input/Output Return Loss, 1850 to 1910 MHz			7.4	13		dB
Source Impedance	$Z_S$			50		$\Omega$
Load Impedance	$Z_L$			50		$\Omega$
Case Style	SM3030-6 3 x 3 mm Nominal Footprint					
Lid Symbolization, Y=year, WW=week, S=shif	510 YWWS					

**Electrical Connections**

Connection	Terminals
Input	2
Output	5
Ground	All others

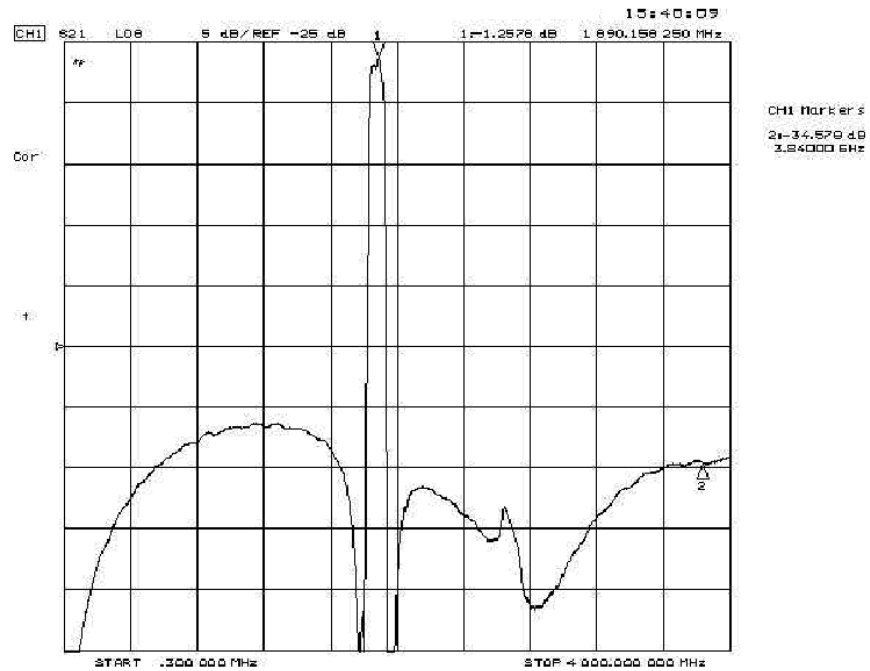
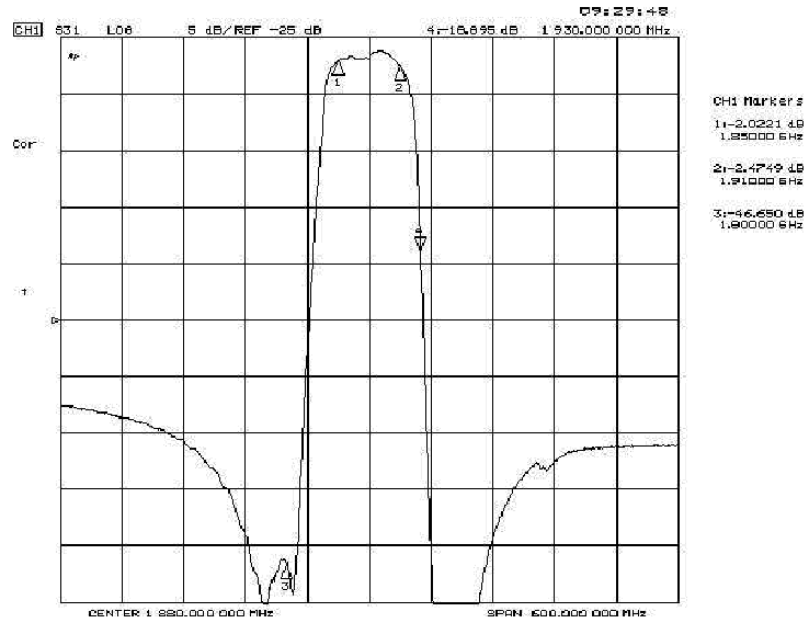


**CAUTION: Electrostatic Sensitive Device. Observe precautions for handling.**

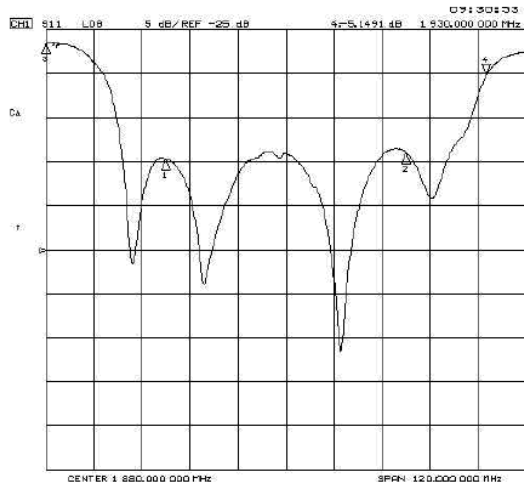
**NOTES:**

1. Unless noted otherwise, all specifications apply over the operating temperature range with filter soldered to the specified demonstration board with impedance matching to 50  $\Omega$  and measured with 50  $\Omega$  network analyzer.
2. Unless noted otherwise, all frequency specifications are referenced to the nominal center frequency,  $f_C$ .
3. Rejection is measured as attenuation below the minimum IL point in the passband. Rejection in final user application is dependent on PCB layout and external impedance matching design. See Application Note No. 42 for details.
4. The design, manufacturing process, and specifications of this filter are subject to change.
5. US and international patents may apply.
6. Murata, stylized Murata logo, and Murata N.A., Inc. are registered trademarks of Murata Manufacturing Co., Ltd.

**Frequency Characteristics :**  
**Transfer function**



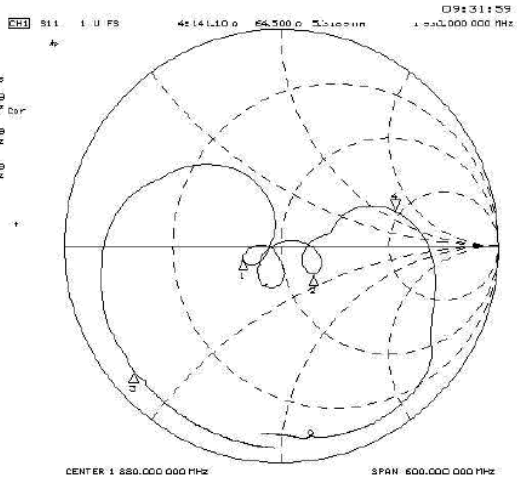
## S11



CH1 Markers  
 1=-14.639 dB  
 1.890000 GHz

2=-13.870 dB  
 1.910000 GHz

3=-13.589 dB  
 1.930000 GHz

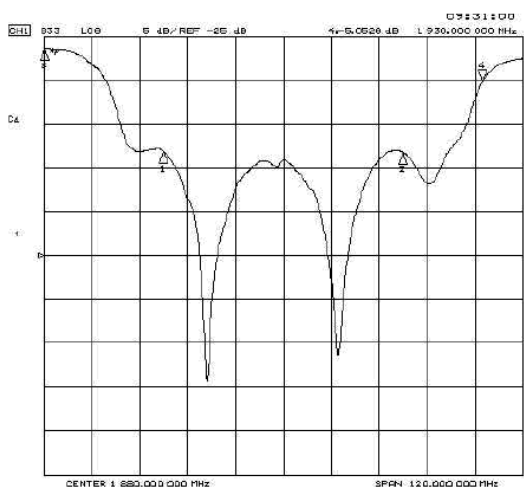


CH1 Markers  
 1=134.939 0  
 -6.3281 0  
 1.890000 GHz

2=65.307 0  
 -17.477 0  
 1.910000 GHz

3=32.2109 0  
 -18.410 0  
 1.930000 GHz

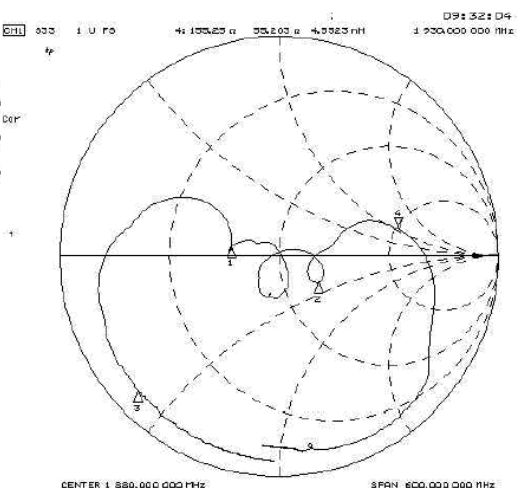
## S22



CH1 Markers  
 1=-13.185 dB  
 1.890000 GHz

2=-17.236 dB  
 1.910000 GHz

3=-13.764 dB  
 1.930000 GHz



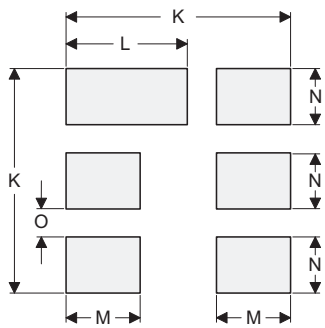
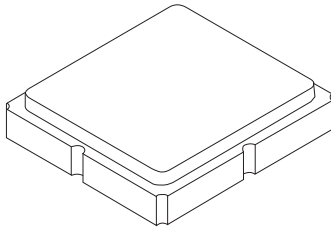
CH1 Markers  
 1=12.140 0  
 2.9961 0  
 1.890000 GHz

2=65.670 0  
 -17.388 0  
 1.910000 GHz

3=32.325 0  
 -20.100 0  
 1.930000 GHz

# SM3030-6 Case

## 6-Terminal Ceramic Surface-Mount Case 3.0 X 3.0 mm Nominal Footprint



PCB Footprint Top View

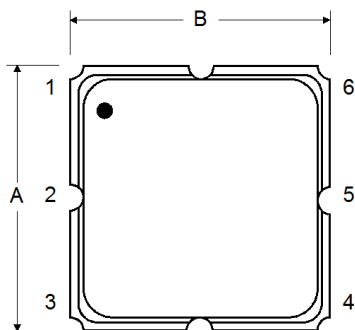
### Case and PCB Footprint Dimensions

Dimension	mm			Inches		
	Min	Nom	Max	Min	Nom	Max
A	2.87	3.00	3.13	0.113	0.118	0.123
B	2.87	3.00	3.13	0.113	0.118	0.123
C	1.12	1.25	1.38	0.044	0.049	0.054
D	0.77	0.90	1.03	0.030	0.035	0.040
E	2.67	2.80	2.93	0.105	0.110	0.115
F	1.47	1.60	1.73	0.058	0.063	0.068
G	0.72	0.85	0.98	0.028	0.033	0.038
H	1.37	1.50	1.63	0.054	0.059	0.064
I	0.47	0.60	0.73	0.019	0.024	0.029
J	1.17	1.30	1.43	0.046	0.051	0.056
K		3.20			0.126	
L		1.70			0.067	
M		1.05			0.041	
N		0.81			0.032	
O		0.38			0.015	

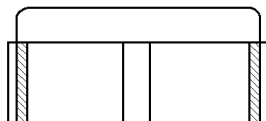
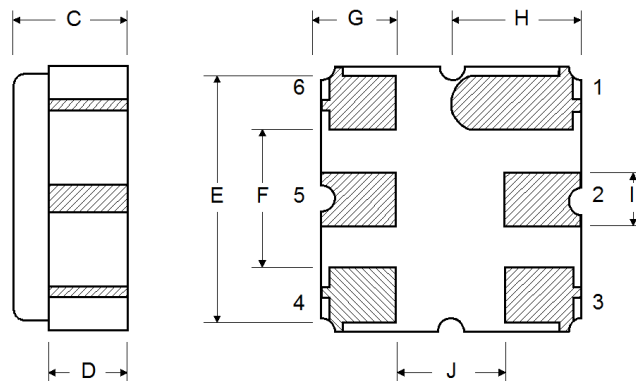
### Case Materials

Materials	
Solder Pad Plating	0.3 to 1.0 $\mu\text{m}$ Gold over 1.27 to 8.89 $\mu\text{m}$ Nickel
Lid Plating	2.0 to 3.0 $\mu\text{m}$ Nickel
Body	$\text{Al}_2\text{O}_3$ Ceramic
Pb Free	

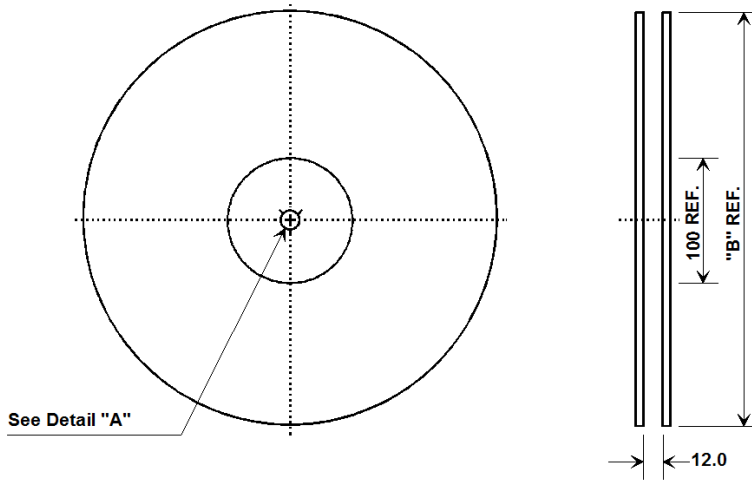
Top View



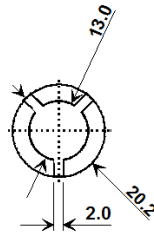
Bottom View



## Tape and Reel Specifications



"B"		Quantity Per Reel
Nominal Size		
Inches	millimeters	
7	178	500
13	330	2000



## COMPONENT ORIENTATION and DIMENSIONS

Carrier Tape Dimensions	
Ao	3.35 mm
Bo	3.35 mm
Ko	1.4 mm
Pitch	8.0 mm
W	12.0 mm

