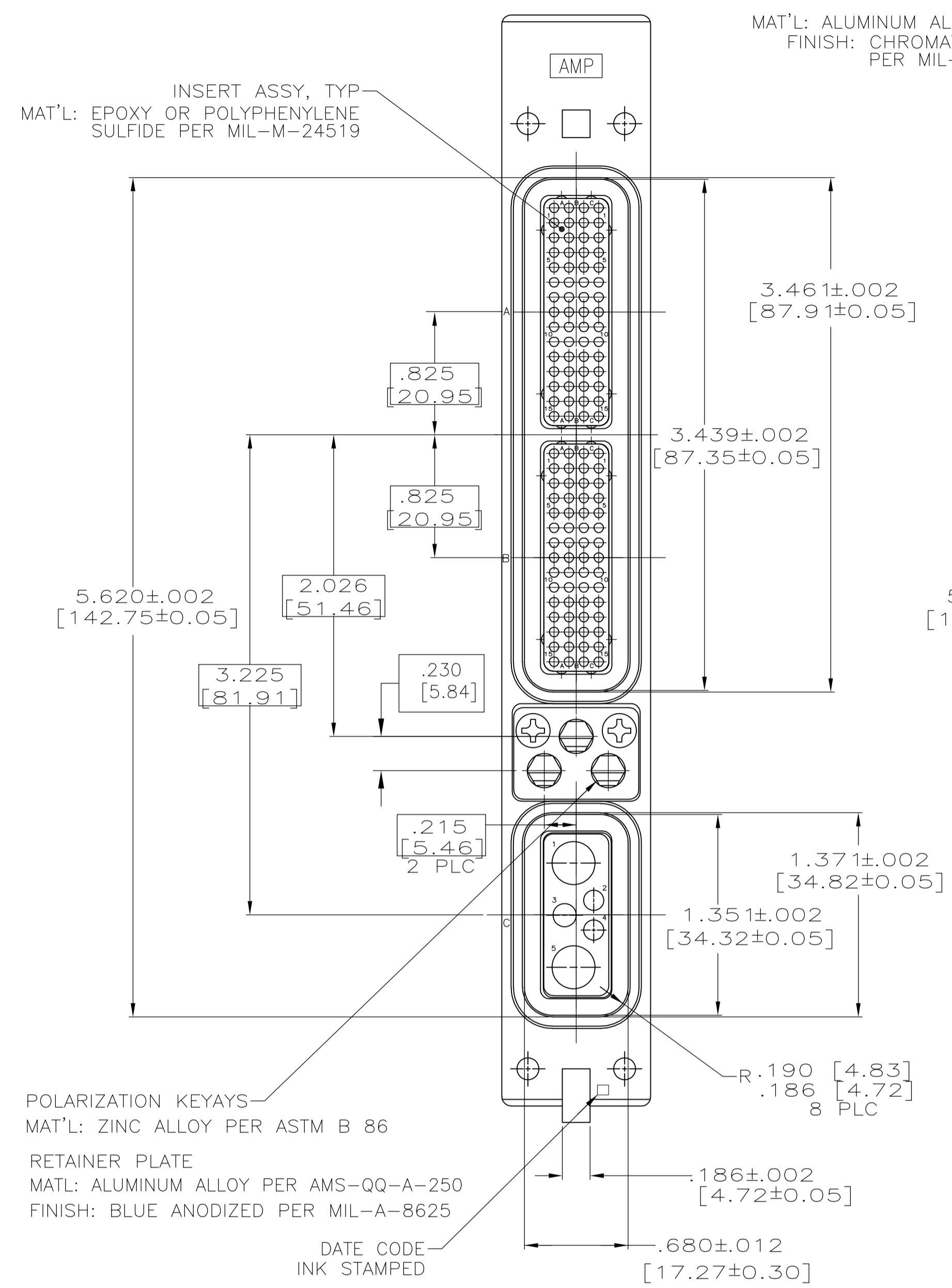
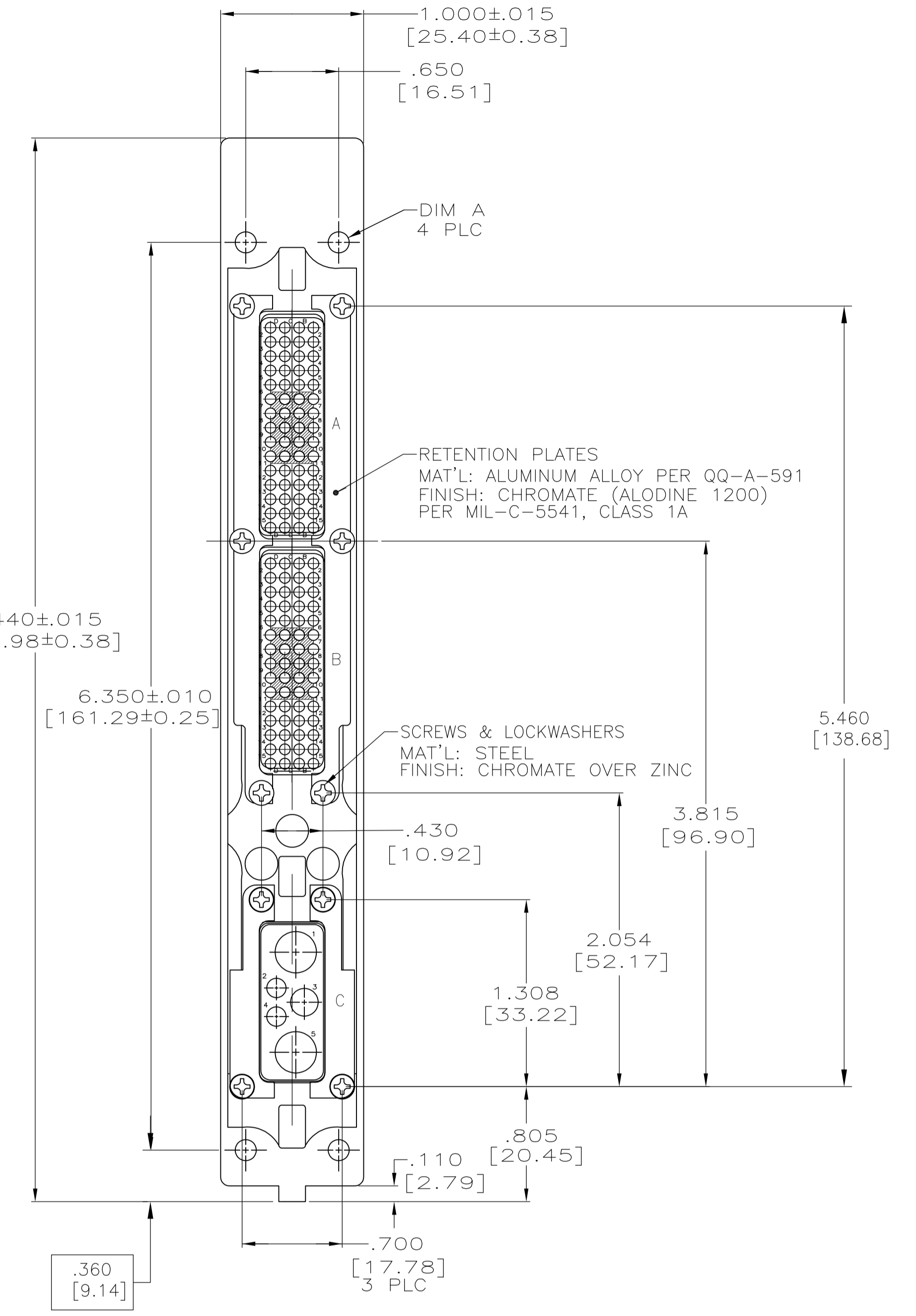
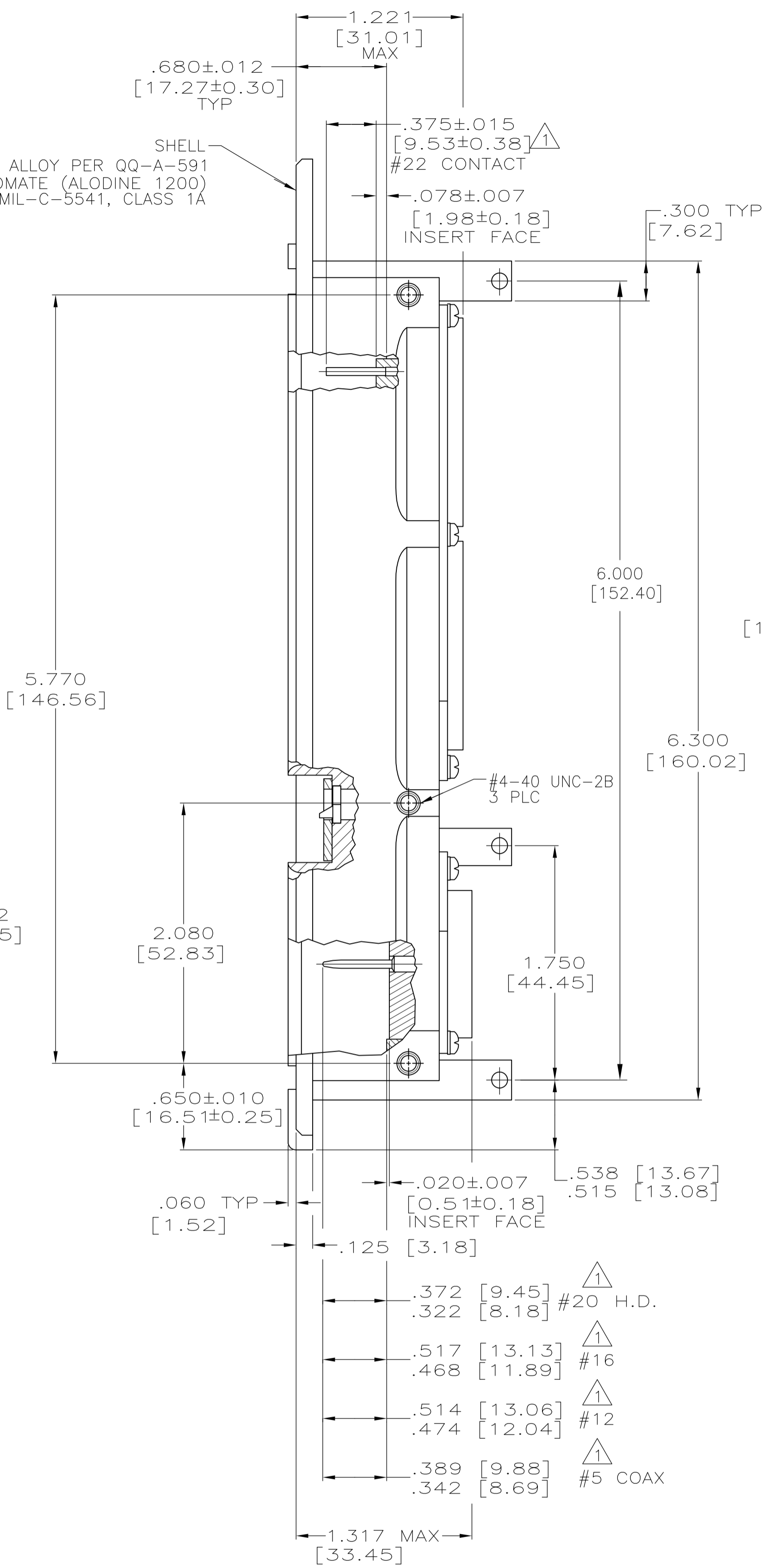


REVISONS		DATE	BY	APPV
P	REV PER ECO 12-022506	1-22-13	CT	WB



SHELL
MAT'L: ALUMINUM ALLOY PER QQ-A-591
FINISH: CHROMATE (ALODINE 1200)
PER MIL-C-5541, CLASS 1A



- △ CONTACTS ARE SHOWN IN POSITION FOR ILLUSTRATION ONLY. FOR SHIPMENT CONTACTS ARE INCLUDED IN A CONTAINER WITHIN THE CONNECTOR PACKAGE. COAX CONTACTS ARE NOT SUPPLIED AND MUST BE ORDERED SEPARATELY.
- ALL CONTACTS CAVITIES IN MODULES A & B ARE LOCATED WITHIN .006 [0.15] DIA TRUE POSITION. ALL CONTACT CAVITIES IN MODULE C ARE LOCATED WITHIN .020 [0.51] DIA TRUE POSITION.
 - POLARIZING KEYS SHOWN IN POSITION 01 FOR ILLUSTRATION ONLY. CONNECTORS SHIPPED WITH KEYING PER ORDERING INSTRUCTIONS. CONTACT INSERTS AS SHOWN FOR ILLUSTRATION ONLY. SEE TABLE FOR DISCRIPTIVE NUMBER.

.145-.151 [3.68-3.84]	NIC66E11A18AA0	1-208599-6
.145-.151 [3.68-3.84]	NIC66E11A00AA1	1-208599-5
.145-.151 [3.68-3.84]	-	1-208599-4
.145-.151 [3.68-3.84]	NIC66E11A12AAD	1-208599-3
#4-40 CLINCH NUTS	-	1-208599-2
.145-.151 [3.68-3.84]	NIC66E11A00AA0	1-208599-1
.145-.151 [3.68-3.84]	NIC66E11A11AA0	1-208599-0
.145-.151 [3.68-3.84]	NIC66E11A16AA0	208599-9
.145-.151 [3.68-3.84]	NIC66E11A23AA0	208599-8
.145-.151 [3.68-3.84]	NIC66E11A03AA1	208599-7
.145-.151 [3.68-3.84]	NIC66E11A50AA0	208599-6
.145-.151 [3.68-3.84]	NIC66E11A22AA1	208599-5
#6-32 CLINCH NUTS	NIC66E11A12CB0	208599-4
#6-32 CLINCH NUTS	NIC66E11A19CB1	208599-3
.145-.151 [3.68-3.84]	NIC66E11A01AA1	208599-2
.145-.151 [3.68-3.84]	NIC66E11A01AA0	208599-1
DIM A	DESCRIPTIVE NUMBER	PART NUMBER

THIS DRAWING IS A CONTROLLED DOCUMENT.

STE TE Connectivity

RECEPTACLE ASSY, SIZE 1, ARINC 600

SCALE 1:1 SHEET 1 OF 1 REV P