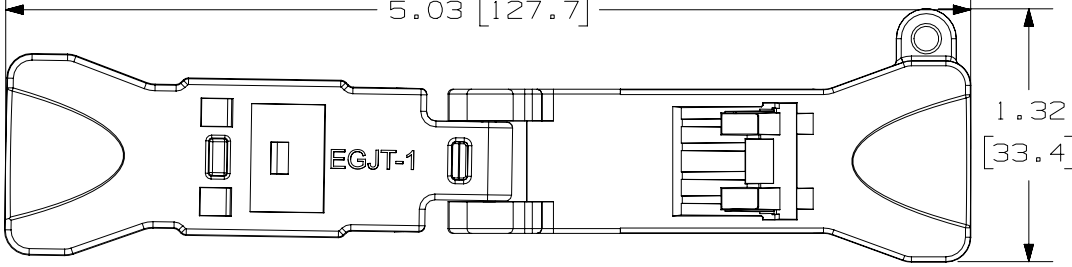
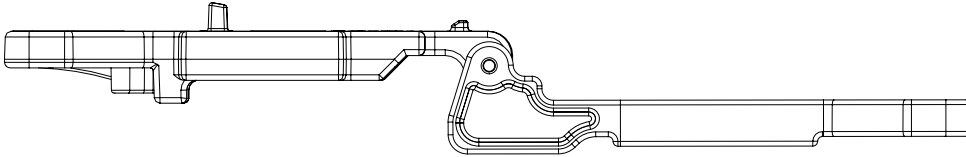


THIS COPY IS PROVIDED ON A RESTRICTED BASIS AND IS NOT TO BE USED IN ANY WAY DETRIMENTAL TO THE INTERESTS OF PANDUIT CORP.

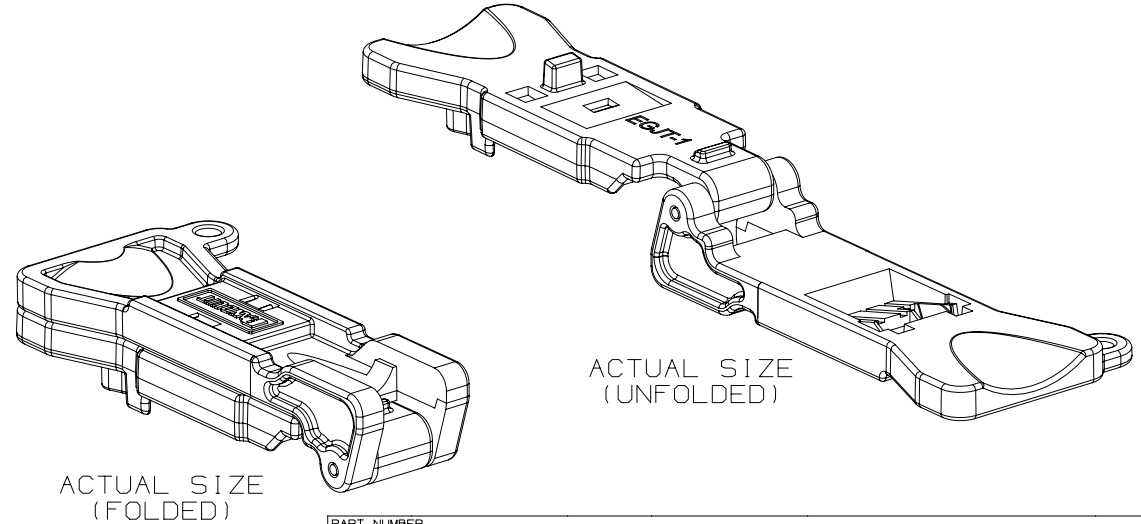
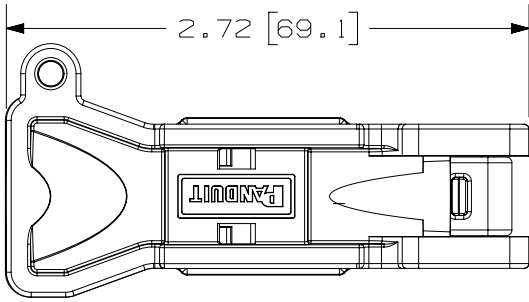
5.03 [127.7]



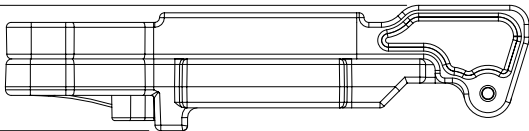
- NOTES:
1. VISIT OUR ON-LINE CATALOG AT WWW.PANDUIT.COM FOR A LIST OF CURRENT PARTS APPLICABLE FOR USE WITH THIS PRODUCT.
  2. DIMENSIONS IN [ ] ARE METRIC.
  3. ALL MATERIALS AND COMPONENTS USED MEET THE MATERIAL RESTRICTIONS OF RoHS (EUROPEAN DIRECTIVE 2011/65/EU ON THE RESTRICTION OF HAZARDOUS SUBSTANCES) AS PROPOSED BY THE RoHS TECHNICAL ADAPTATION COMMITTEE.
  4. WEIGHT: .29 LB/10 PCS (131.6 g/10 PCS)
  5. MATERIAL: GLASS FILLED NYLON



2.72 [69.1]



.65 [16.6]



PART NUMBER		EGJT-1		
TITLE				
TG TERMINATION TOOL				
CUSTOMER DRAWING				
ITEM REVISION NAME		00068SKC/08		
DATASET FILE NAME		00068SKC_DC02/08A		
		THIRD ANGLE PROJECTION		
REVIEW DRAWING NUMBERS:		DRAWING NUMBER		
00068SKA-01, 00068SKB-01 00068SKC-01, 02436-04		00068SKC-02		
DRAWN BY	DATE	CHK	SCALE	SIZE
BJN	12-15-16	DCS	FULL	A
SHEET 1 OF 1				

REV	DATE	BY	CHK	APR	DESCRIPTION	ECN
08A	2-28-18	BJN	DCS	TMBA	UPDATED REVISED & REDRAWN PREVIOUS REVISIONS REMVD FOR CLARITY	00068SKC-02

A-SIZE CUSTOMER