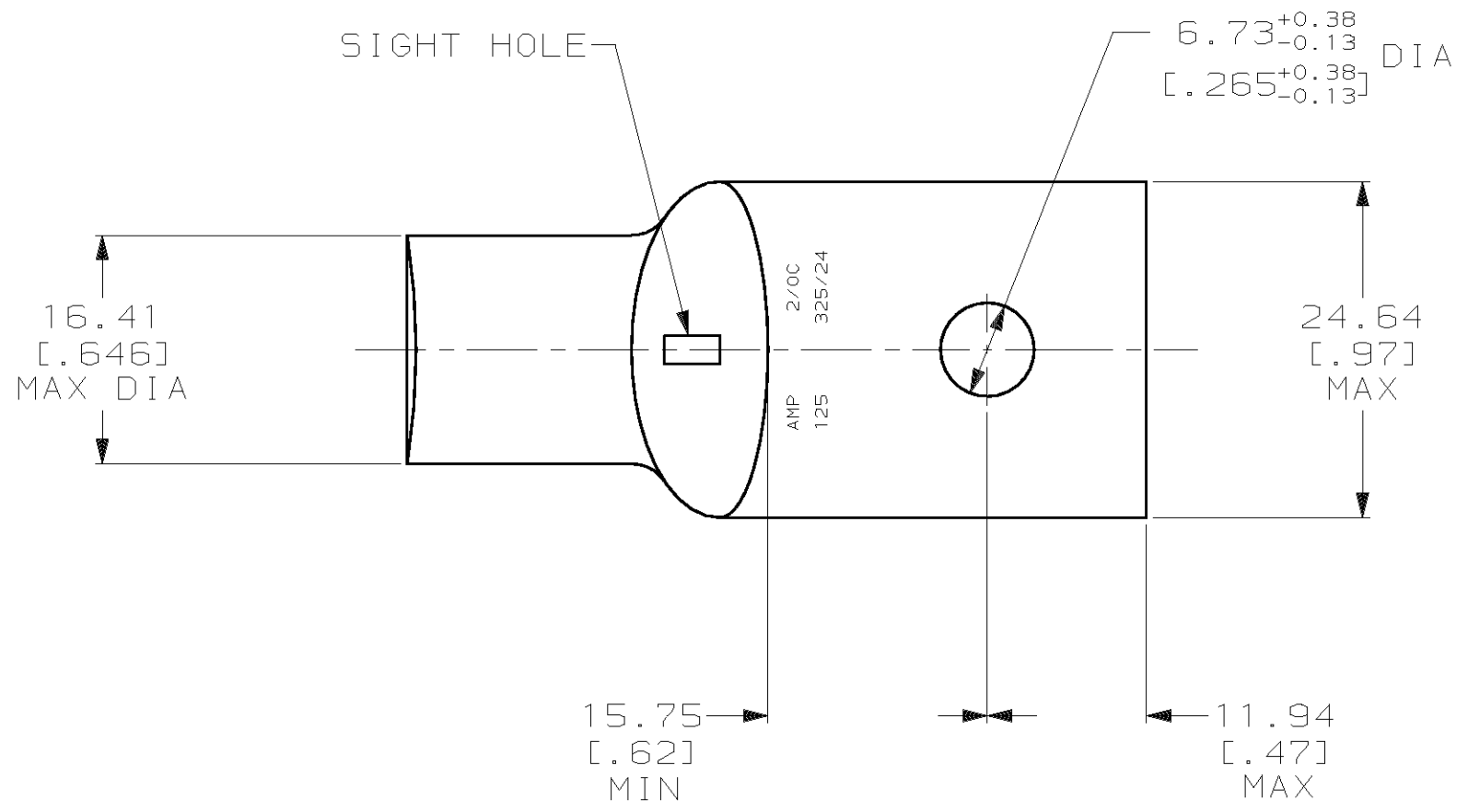
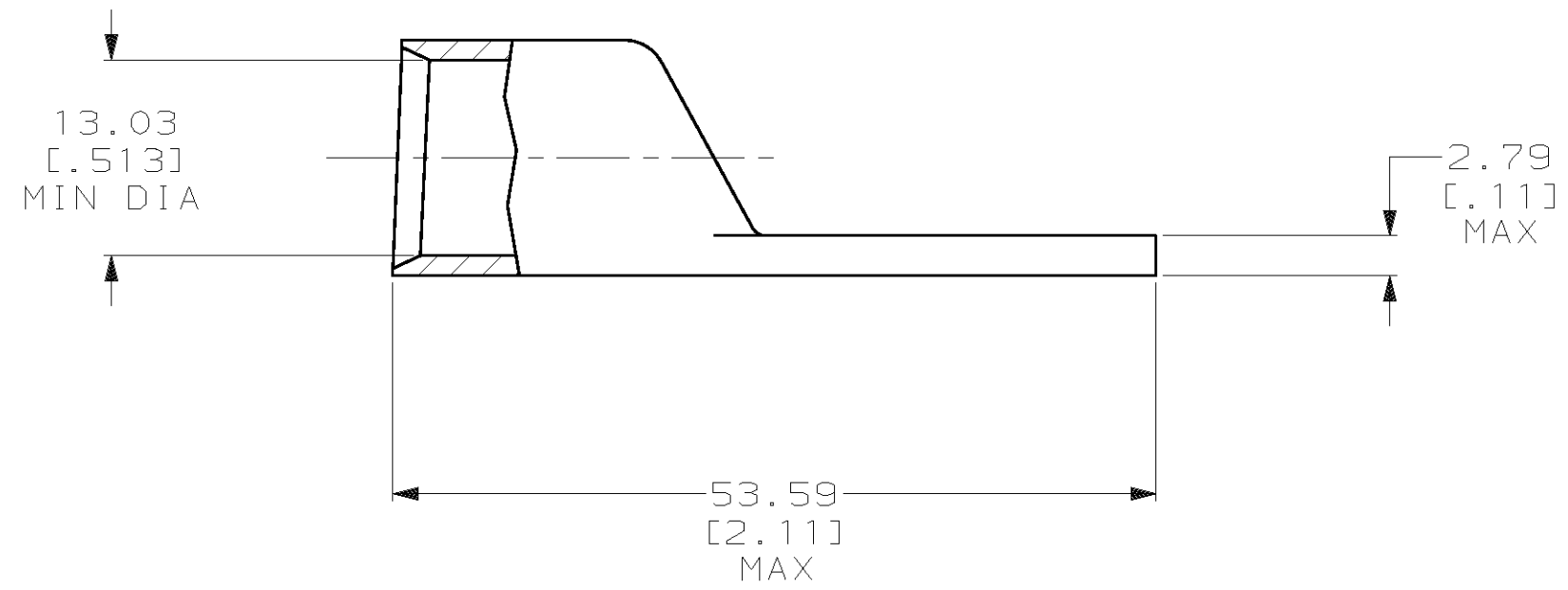


THIS DRAWING IS UNPUBLISHED. RELEASED FOR PUBLICATION, 19 .  
 © COPYRIGHT 19 BY AMP INCORPORATED. ALL INTERNATIONAL RIGHTS RESERVED.

| LOC |  | DIST |  | P |  | F |  | ZONE |  | LTR |  | REVISIONS            |  | DATE    | APPD  |
|-----|--|------|--|---|--|---|--|------|--|-----|--|----------------------|--|---------|-------|
| G   |  | 86   |  |   |  |   |  |      |  | R   |  | REV PER 0G3A-0561-01 |  | 07OCT02 | JR/MS |



- 1 CIRCULAR MIL AREA RANGE: 119,500-150,500 CM
- 2 TIN PL 0.00381 [.000150] MIN THK PER MIL-T-10727



|  |  |                             |  |                      |
|--|--|-----------------------------|--|----------------------|
| DO NOT SCALE PRINT. UNLESS SPECIFIED DIMENSIONS IN mm [INCHES] TOLERANCES ON :<br>2 PLC DEC ± 0.51 [.020]<br>3 PLC DEC ± -<br>ANGLES ± - |  | DR 02/28/90<br>DK SCHRUM    | AMP INCORPORATED<br>Harrisburg, Pa. 17105        |                      |
| MATERIAL<br>ANNEALED COPPER<br>ASTM B-75   |  | CHK 17JAN95<br>MS FEHER     |  |                      |
| FINISH<br>2  |  | APPD 17JAN95<br>WJ VOCKROTH | NAME<br>TERMINAL, AMPPOWER<br>WIRE SIZE: 2/0 AWG |                      |
| APPLICATION SPEC<br>-  |  | APPD 17JAN95<br>TL SHUTTER  | SIZE<br>C  | CAGE CODE<br>00779   |
| WEIGHT .057 LB   |  | PRODUCT SPEC<br>-           | SCALE<br>2:1                                     | DRAWING NO<br>325401 |
|  |  |                             |  | SHEET<br>1 OF 1      |

325401

325401

PART NO