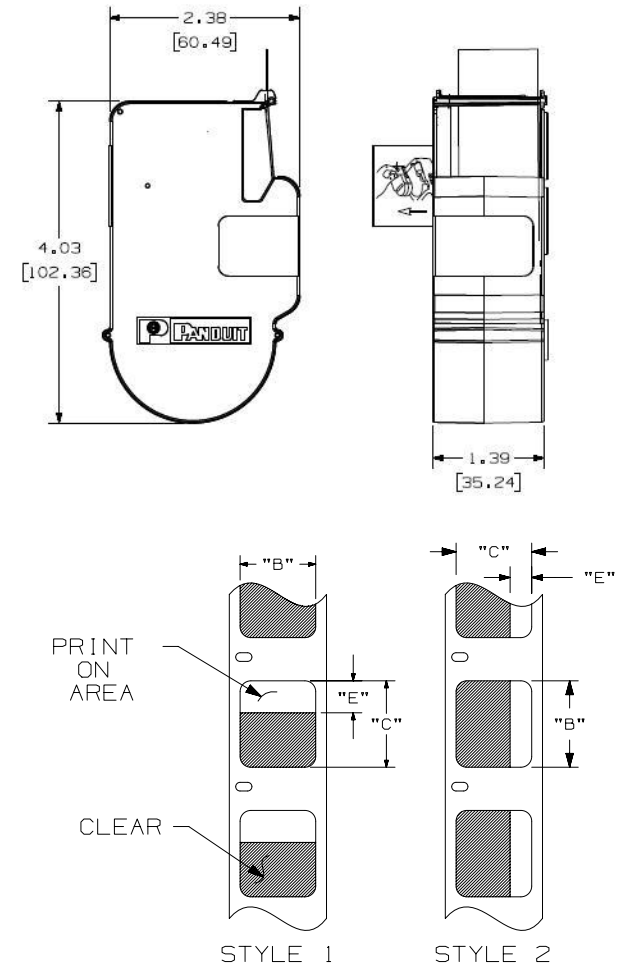


THIS COPY IS PROVIDED ON A RESTRICTED BASIS AND IS NOT TO BE USED IN ANY WAY DETRIMENTAL TO THE INTERESTS OF PANDUIT CORP.

PANDUIT PART NO.	PART DESCRIPTION	MATERIAL	STYLE	"B"	"C"	"E" ±.050	COLOR (PRINT ON AREA)	LABELS PER ROLL
S025X075VAC	18-14 AWG WIRE	GMV17	2	0.75 [ 19.05 ]	0.25 [ 6.35 ]	0.25 [ 6.35 ]	WHITE	650
S050X075VAC	18-14 AWG WIRE				0.50 [ 12.70 ]			
S050X125VAC	12-10 AWG WIRES		0.50 [ 12.70 ]	1.25 [ 31.75 ]	0.38 [ 9.65 ]	225		
S050X150VAC	CAT. 5e/ CAT. 6 CABLE			1.50 [ 38.10 ]	0.50 [ 12.70 ]	200		
S075X075VAC	18-14 AWG WIRE		0.75 [ 19.05 ]	0.75 [ 19.05 ]	0.25 [ 6.35 ]	350		
S075X100VAC	12-10 AWG WIRES			1.00 [ 25.40 ]	0.38 [ 9.65 ]	275		
S075X125VAC	12-10 AWG WIRES			1.25 [ 31.75 ]		225		
S075X150VAC	CAT. 5e/ CAT. 6 CABLE		1.50 [ 38.10 ]	0.50 [ 12.70 ]		200		
S100X075VAC	18-14 AWG WIRE			0.75 [ 19.05 ]	0.25 [ 6.35 ]	350		
S100X125VAC	12-10 AWG WIRES		1.25 [ 31.75 ]	0.38 [ 9.65 ]		225		
S100X150VAC	CAT. 5e/ CAT. 6 CABLE			1.50 [ 38.10 ]	0.50 [ 12.70 ]	200		
S100X160VAC	NWSLC-2Y AND NWSLC-3Y		1.60 [ 40.64 ]	0.80 [ 20.32 ]		175		
S100X220VAC	NWSLC-7Y			2.20 [ 55.88 ]	1.10 [ 27.94 ]	125		
S100X150VBC	CAT. 5e/ CAT. 6 CABLE		1.00 [ 25.40 ]	1.50 [ 38.10 ]	0.50 [ 12.70 ]	BLUE		200
S100X150VDC	CAT. 5e/ CAT. 6 CABLE					GREEN		
S100X150VHC	CAT. 5e/ CAT. 6 CABLE					RED		
S100X150VIC	CAT. 5e/ CAT. 6 CABLE					YELLOW		
S100X225VAC	8-4 AWG CABLE					WHITE		
S100X225VBC	8-4 AWG WIRES		2.25 [ 57.15 ]	0.75 [ 19.05 ]	BLUE	125		
S100X225VDC	8-4 AWG WIRES				GREEN			
S100X225VHC	8-4 AWG WIRES	RED						
S100X225VIC	8-4 AWG WIRES	YELLOW						
S100X400VAC	1-2 AWG WIRES	4.00 [ 101.60 ]	1.00 [ 25.40 ]	WHITE	75			
S100X650VAC	1/0-250 MCM WIRES			6.50 [ 165.10 ]	1.50 [ 38.10 ]	WHITE	50	



NOTES:  
1. DIMENSIONS IN [ ] ARE IN MILLIMETERS.

REV	DATE	BY	CHK	APR	DESCRIPTION	ECN
4	1/18/17	RVU	JW	JHAC	Change Reference Material from GMV16 to GMV17.	GAECN03532
3	3/9/12	RVU	SEWH	MSAD	CHANGE STYLE 1.00 TO 1 AND LABEL/ROLL, 50.00 TO 50.	6588
2	9/15/10	RVU	SEWH	MSAD	add a new label- S025X075VAC. 650 labels/cassette. "C", 0.25.	6144
1	5/18/10	RVU	SEWH	MSAD	GMV16 WAS GMV15.	6052
0	4/21/08	RVU	SEWH	MSAD	DRAWING RELEASE.	5403

TITLE	
<b>P1 LABEL CASSETTE SELF-LAMINATING LABEL</b> CUSTOMER DRAWING	
ITEM REVISION NAME	100743SR/16
DATASET FILE NAME	100743SR_DC_C10694/16E
UNLESS OTHERWISE SPECIFIED, DIMENSIONAL TOLERANCES ARE: IN [ mm ]	
.x ± .1 [ 2.54 ]	.xxx ± .005 [ .127 ]
.xx ± .01 [ .25 ]	ANGLES ± 5 °
THIRD ANGLE PROJECTION	
DRAWING NUMBER: C10694	
DRAWN BY	DATE
RVU	4/22/08
CHK	SCALE
JHAC	NTS
MATERIAL:	
SEE TABLE	
DRAWING NUMBER: C10694	
SHT 1 OF 1	SIZE
	A