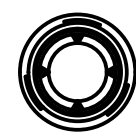
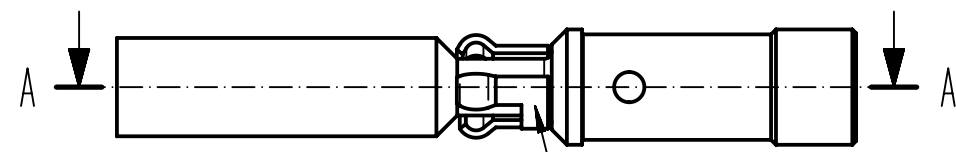


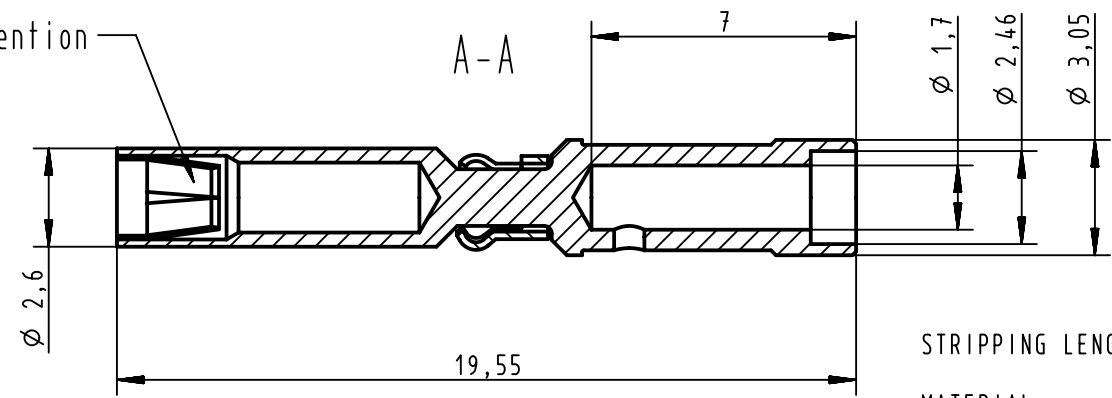
1 2 3 4 5 6

A
B
C
D



Retention clip

Standard spring for contact retention

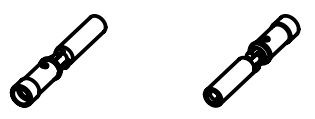



STRIPPING LENGTH: 6mm

MATERIAL:
contact: brass
retention clip: stainless steel

PLATING:
contact: Ni/Au
retention clip: raw material

SCALE 1:1



	All rights reserved Department EC PD - FR	All Dimensions in mm Original Size DIN A4		Scale 5:1	Free size tol.		Ref. Sub.	
		Created by DOUGE	Inspected by BAGDIKIAN	Standardisation KOHLER	Date 2012-07-20	State Final Release		
HARTING Electronics GmbH D-32339 Espelkamp		Title HPP V4 Power crimp cont. fem 1mm ² (AWG18)					Doc-Key / ECM-Nr. 100507255/UGD/001/A 500000053558	
		Type TB	Number 09465000408			Rev. A	Page 1/1	