

DETAILS

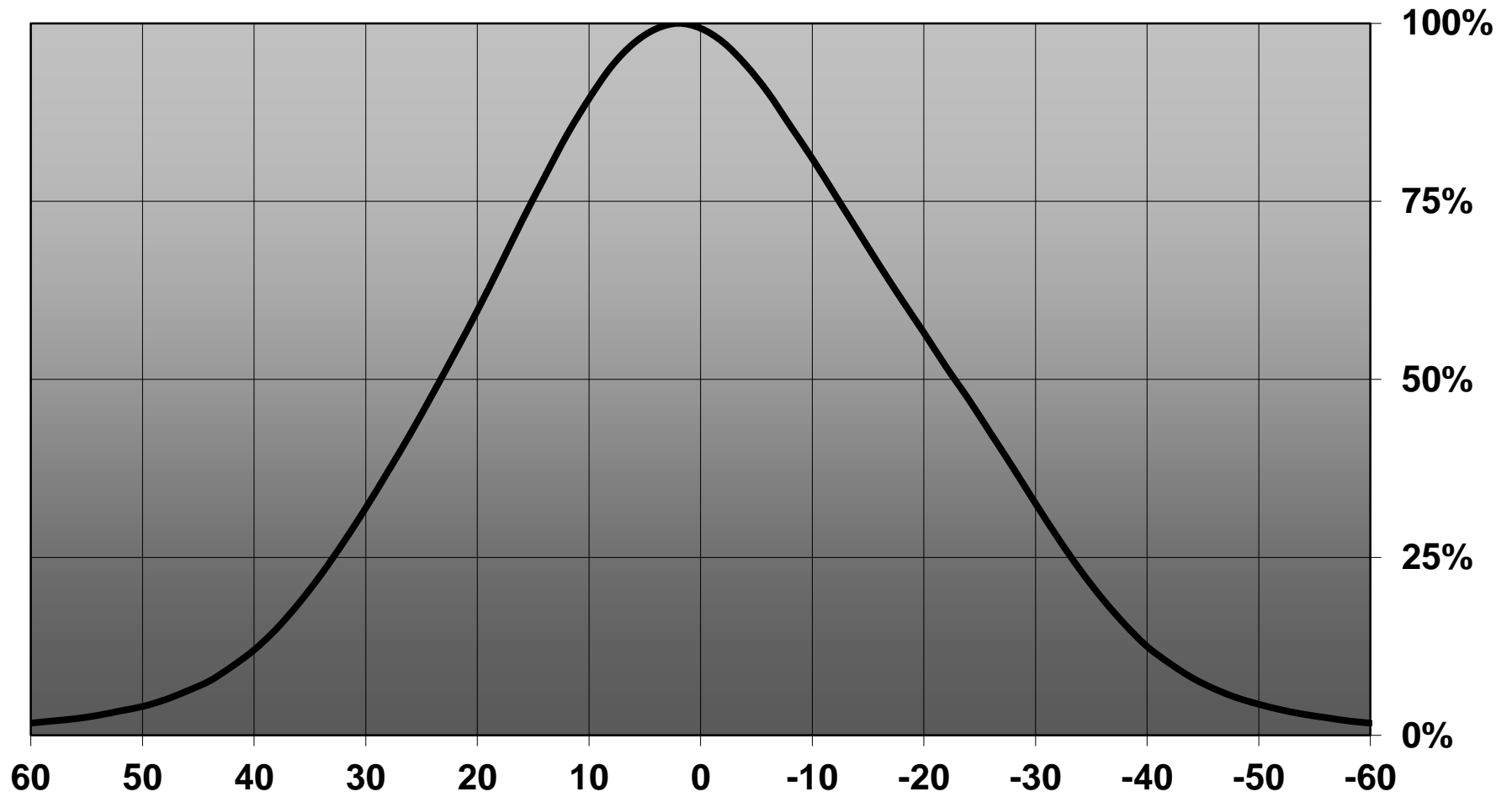
Product Number	CN13904_MIRELLA-50-W-PIN-RZL
Family	Mirella
Type	RefPack
Color	metal
Diameter	49,9 mm
Height	24 mm
Style	round
Optic Material	PC
Holder Material	
Fastening	glue
Status	production ready
ROHS Compliant	Yes
Date Updated	16/07/2015



OPTICAL PROPERTIES

LED	Viewing Angle	Light Beam	Efficiency	cd/lm	Connector
XM-L RGB	50 deg	Wide	81 %	1.000	-
XHP50	51 deg	Wide	81 %	0.960	-
LUXEON Z RGB	46 deg	Wide	80 %	1.100	-
LUXEON C RGBW	47 deg	Wide	77 %	1.030	-
Ostar-SMT RGB	48 deg	Wide	81 %	1.100	-
F50360 (RGB)	46 deg	Wide	81 %	1.200	-

Relative intensity of CN13904_MIRELLA-50-W-PIN-RZL_(F50360 RGB)



D

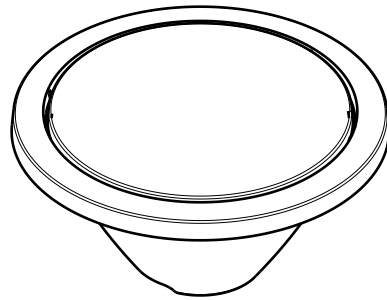
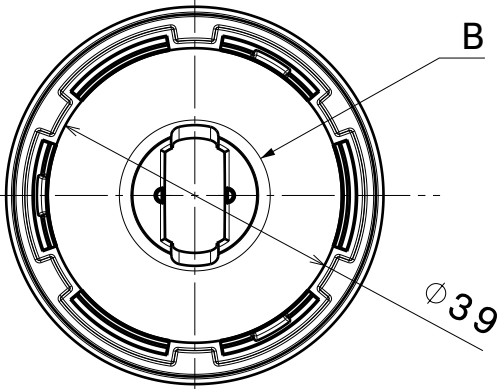
C

B

A

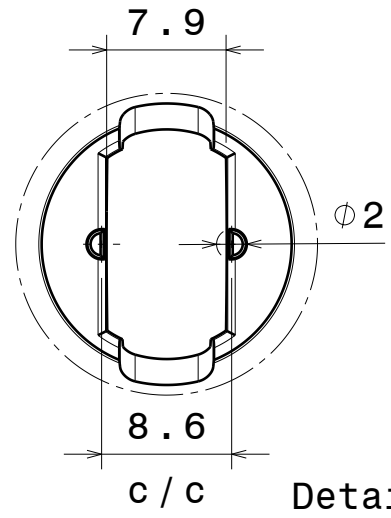
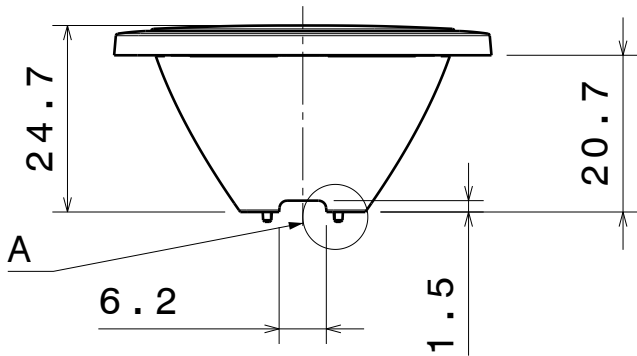
4

4



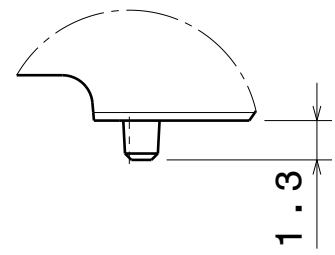
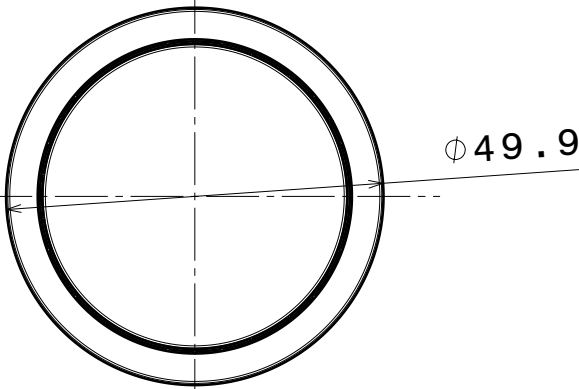
3

3



2

2



Tolerances if not otherwise shown
 According to DIN ISO 2768-1
 Linear measures:
 Up to 30mm class M, otherwise class C.
 According to DIN ISO 2768-2
 Form and position: class L

LEDiL LediL Oy
 Salorankatu 10
 FIN 24240 SALO
 Finland

THIRD ANGLE PROJECTION:

DRAWING TITLE
Datasheet MIRELLA-PIN-RZL

This drawing is the property of LEDiL Oy. It may not be reproduced, copied or communicated without a written agreement with LEDiL Oy."

SIZE	PART NUMBER
A4	-

SCALE	1:1	WEIGHT	-	SHEET	1/1
-------	-----	--------	---	-------	-----

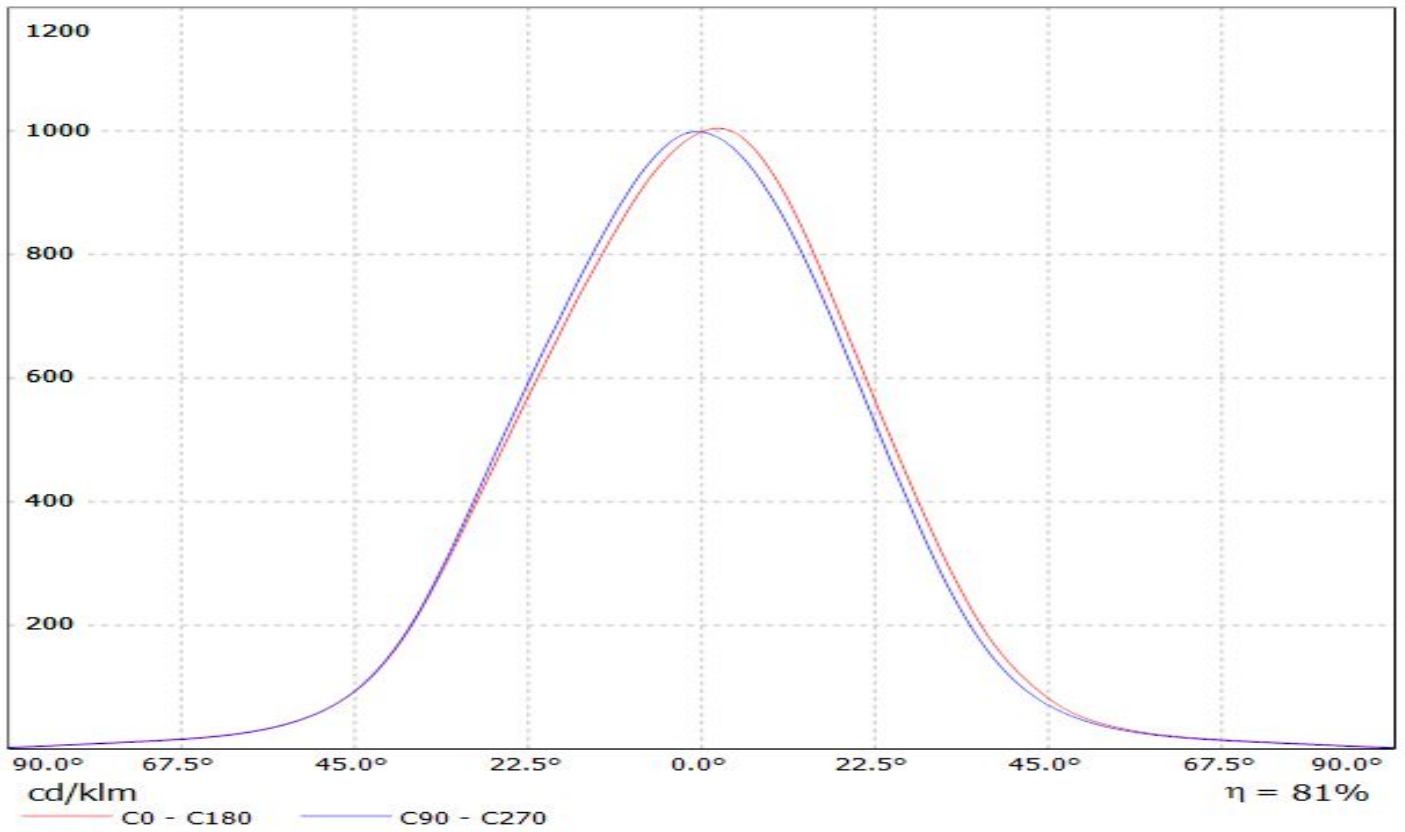
D

A

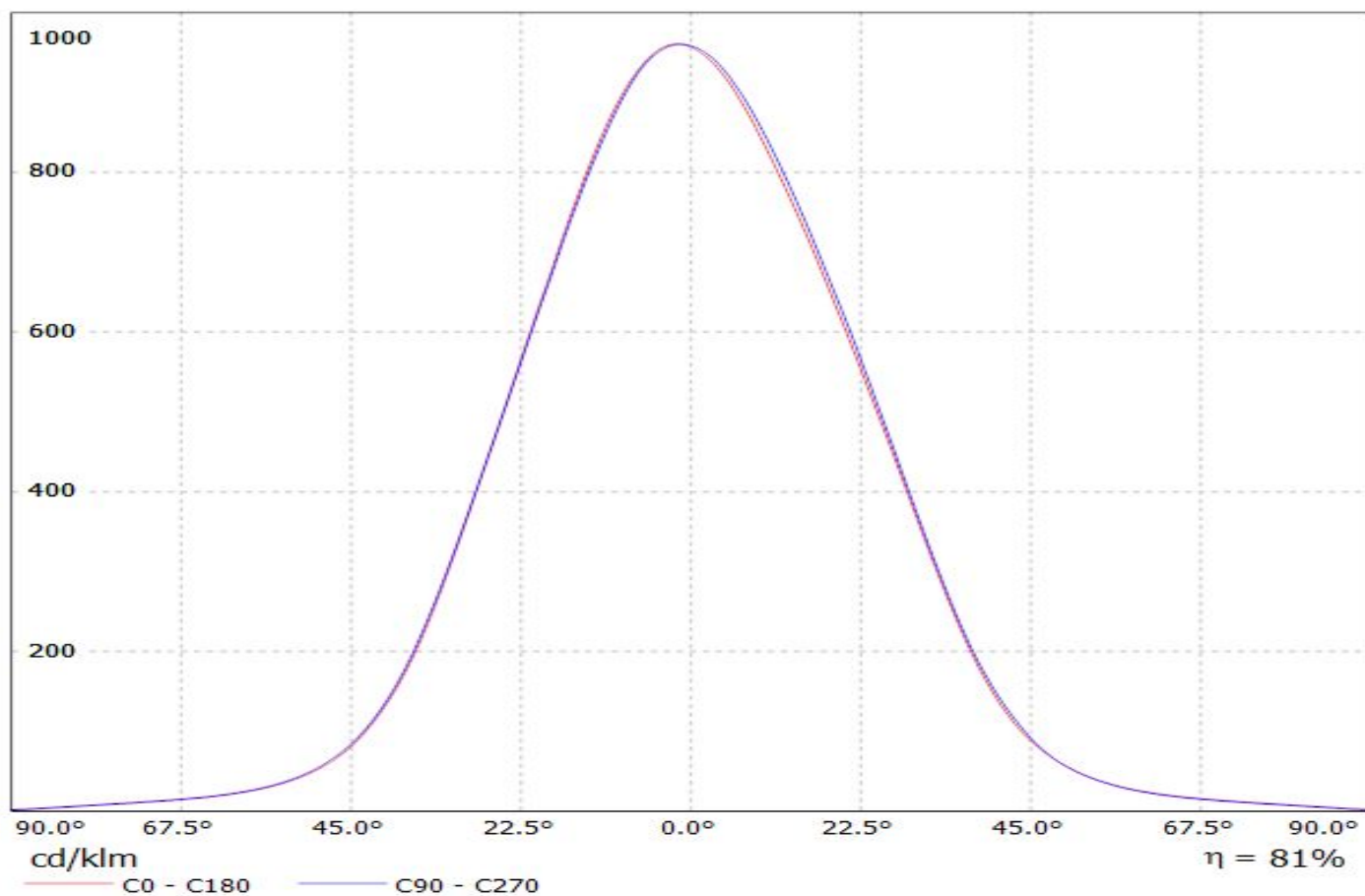
1

**LEDiL Oy CN13904_MIRELLA-50-W-PIN-RZL_(XM-L_RGBW) Eff.81.0% / LDC
(Linear)**

Luminaire: LEDiL Oy CN13904_MIRELLA-50-W-PIN-RZL_(XM-L_RGBW) Eff.81.0%
Lamps: 1 x CREE_XM-L_RGBW_205.574lm@250mA_P=2.77214W_I=249.9mA

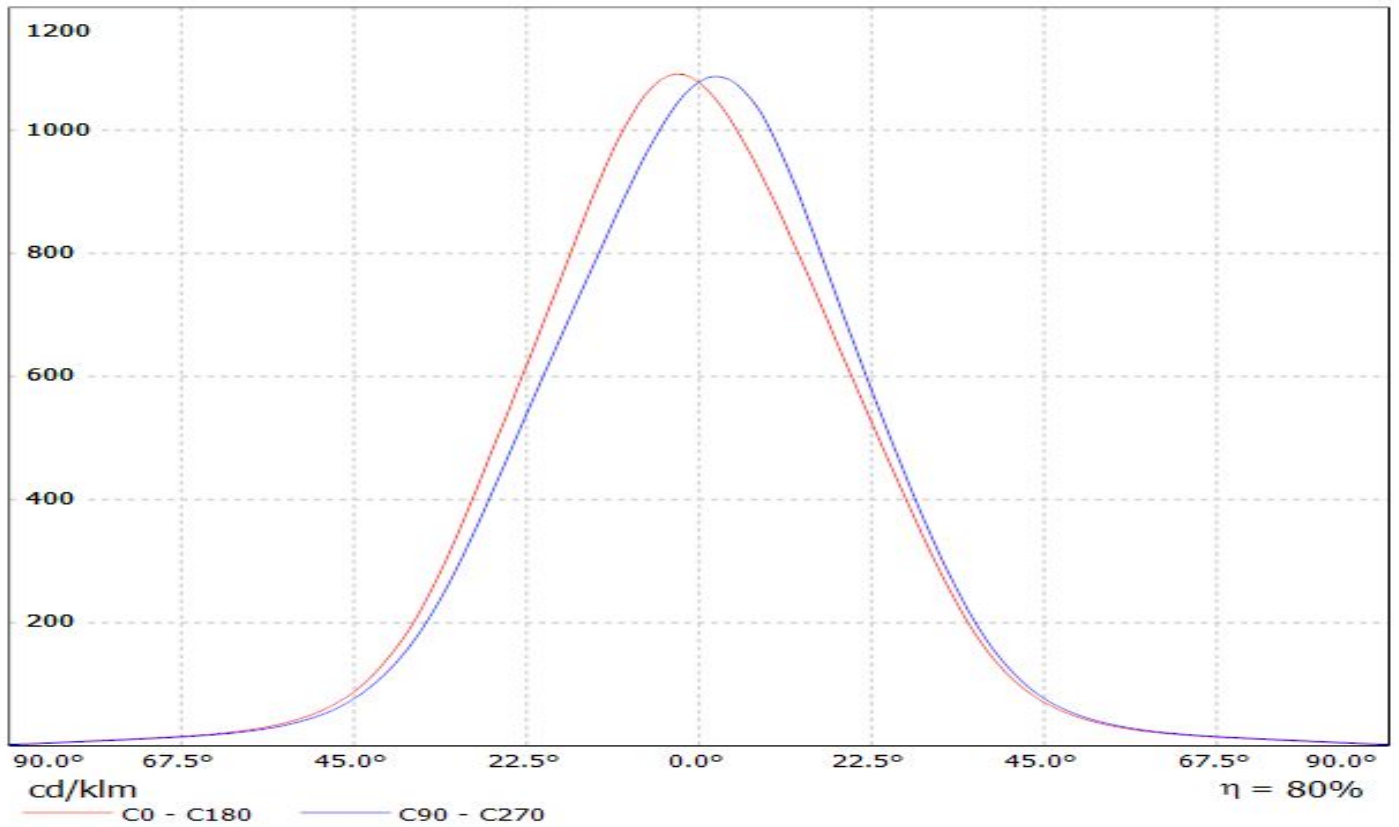


Luminaire: LEDiL Oy CN13904_MIRELLA-50-W-PIN-RZL_(CREE_XHP50_WARM_WHITE)
Lamps: 1 x CREE_XHP50_WARM_WHITE_195.126lm@250mA_P=1.39922W_I=0.2499A

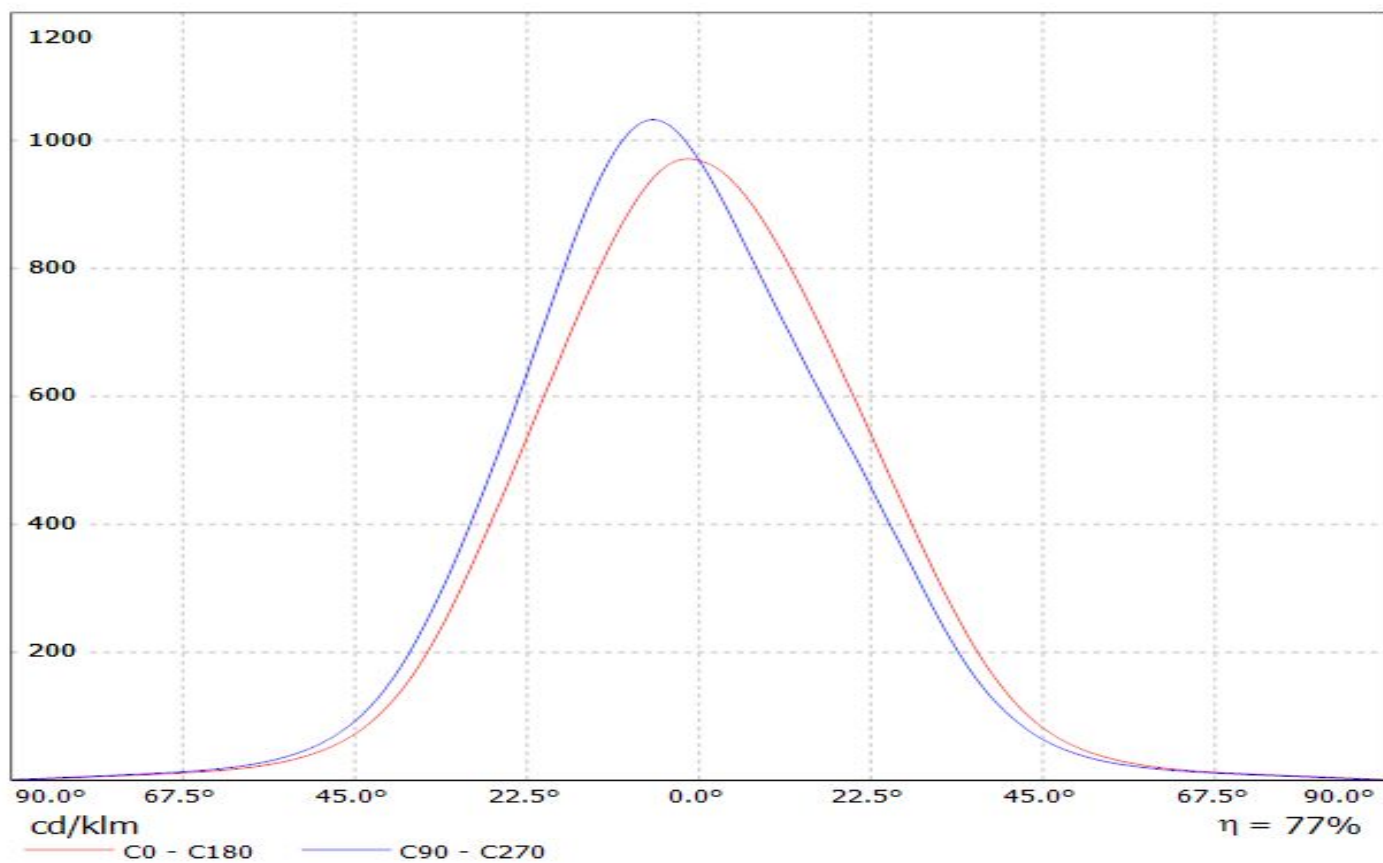


LEDiL Oy CN13904_MIRELLA-50-W-PIN-RZL_(Luxeon-Z_RGB) Eff.80.4% / LDC (Linear)

Luminaire: LEDiL Oy CN13904_MIRELLA-50-W-PIN-RZL_(Luxeon-Z_RGB) Eff.80.4%
Lamps: 1 x Luxeon-Z_RGB_161.075lm@250mA_P=2.64394W_I=249.9mA

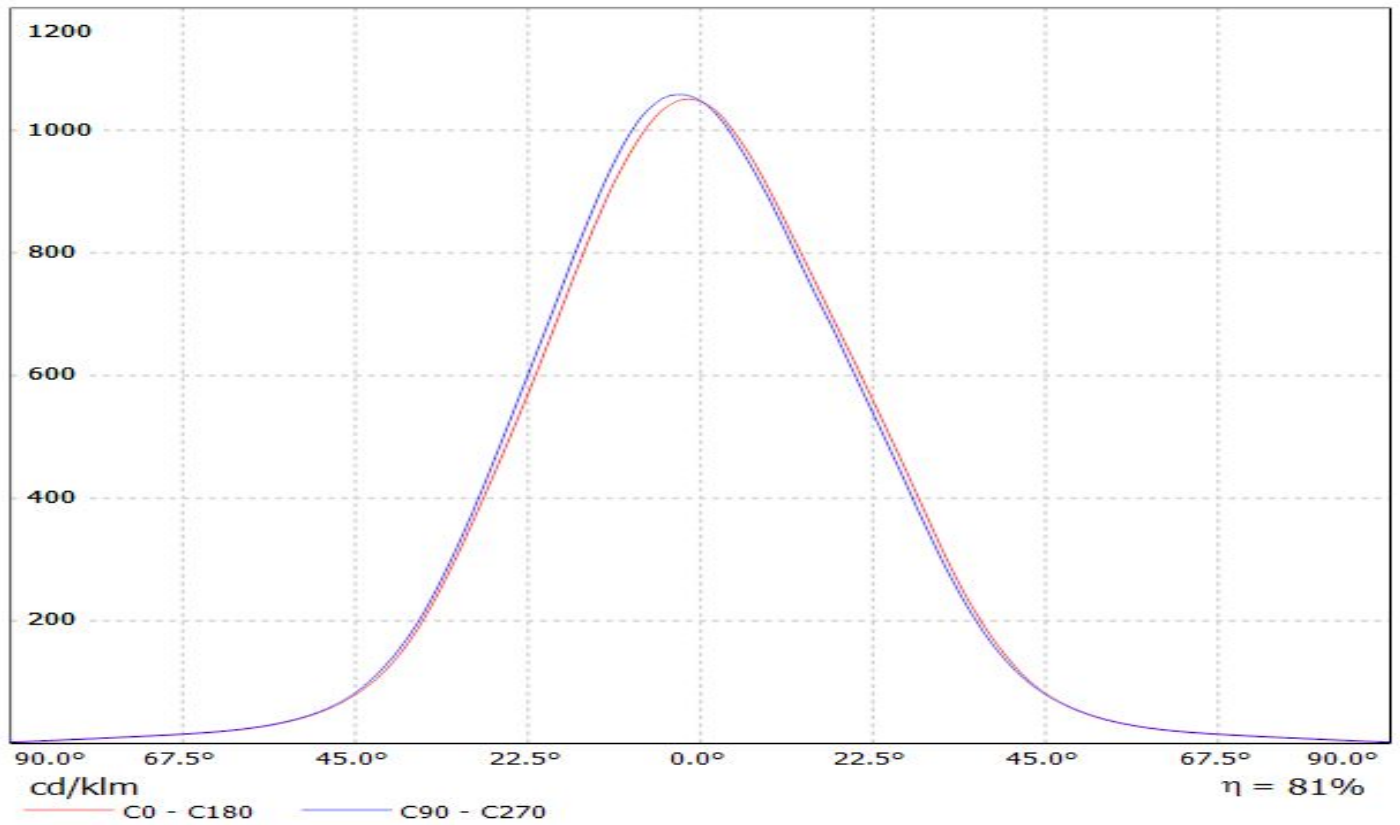


Luminaire: LEDiL Oy CN13904_MIRELLA-50-W-PIN-RZL_(Luxeon_C_RGBW)
Lamps: 1 x Luxeon_C_RGBW_208.984lm@250mA_P=2.5474W_I=0.250A



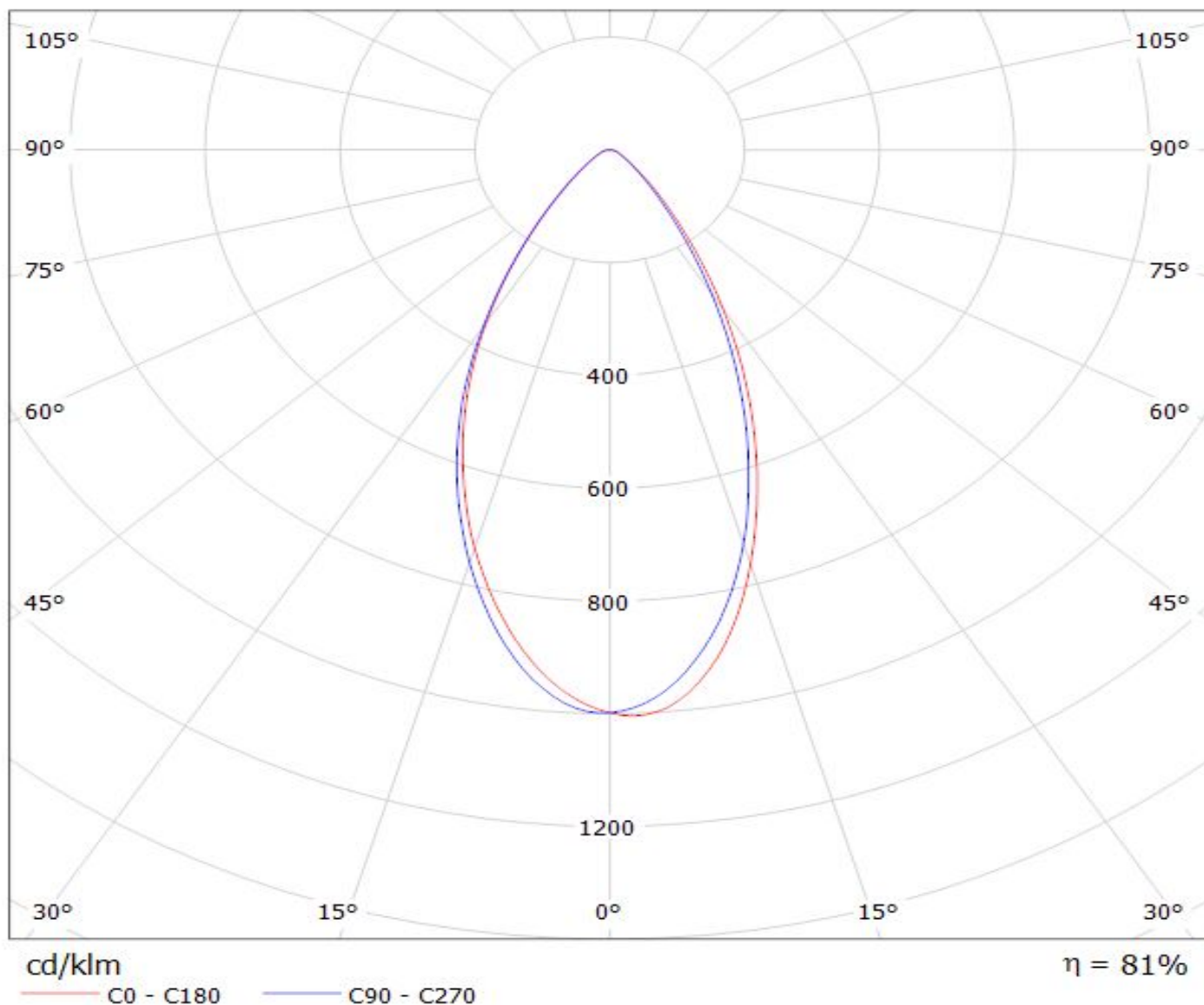
**LEDiL Oy CN13904_MIRELLA-50-W-PIN-RZL_(Ostar_SMT_RGB) Eff.80.8% /
LDC (Linear)**

Luminaire: LEDiL Oy CN13904_MIRELLA-50-W-PIN-RZL_(Ostar_SMT_RGB) Eff.80.8%
Lamps: 1 x Ostar_SMT_RGB_(LE_ATB_S2W)_161.133lm@250mA_P=2.97337W_I=249.8mA

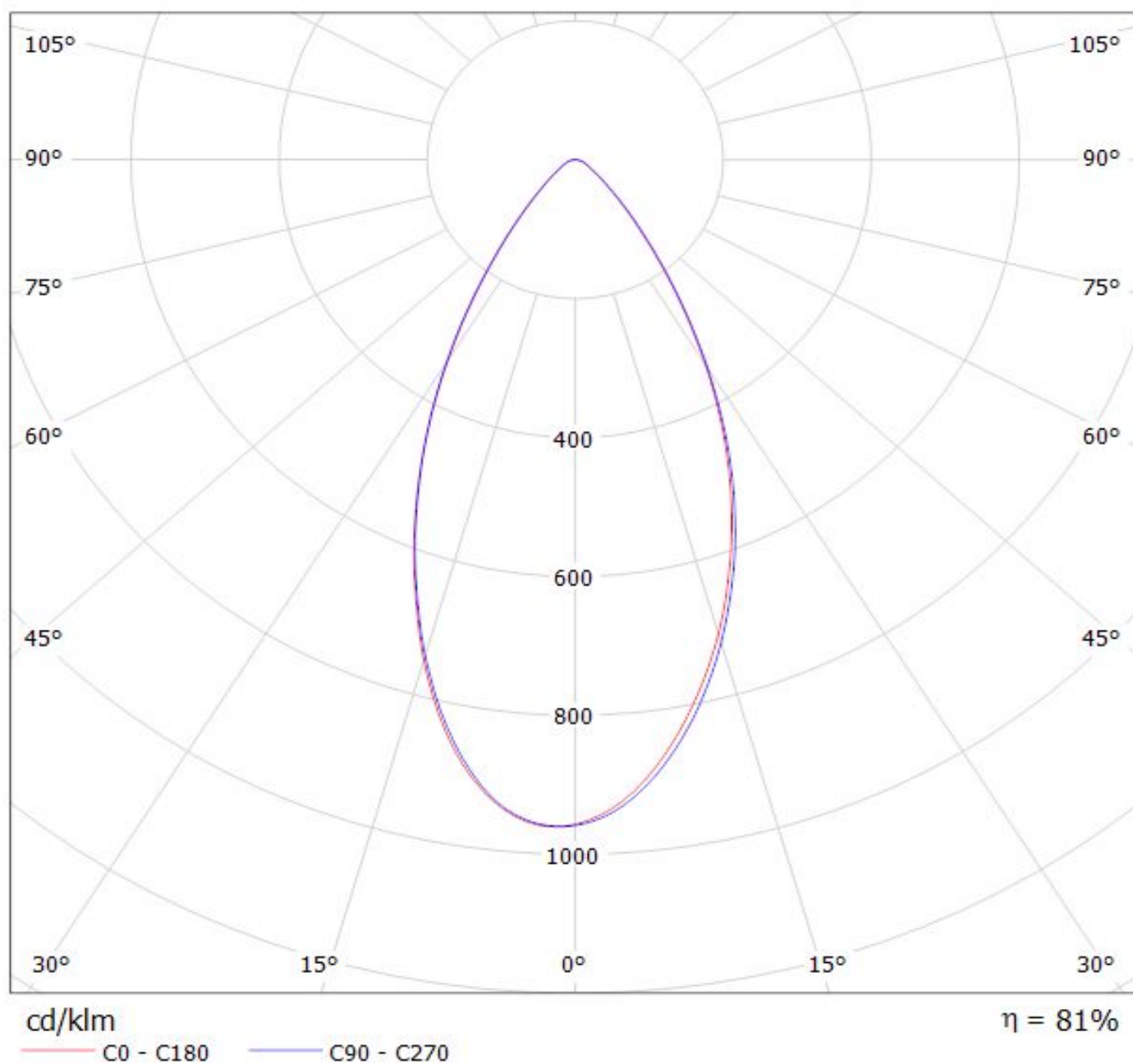


LEDiL Oy CN13904_MIRELLA-50-W-PIN-RZL_(XM-L_RGBW) Eff.81.0% / LDC (Polar)

Luminaire: LEDiL Oy CN13904_MIRELLA-50-W-PIN-RZL_(XM-L_RGBW) Eff.81.0%
Lamps: 1 x CREE_XM-L_RGBW_205.574lm@250mA_P=2.77214W_I=249.9mA

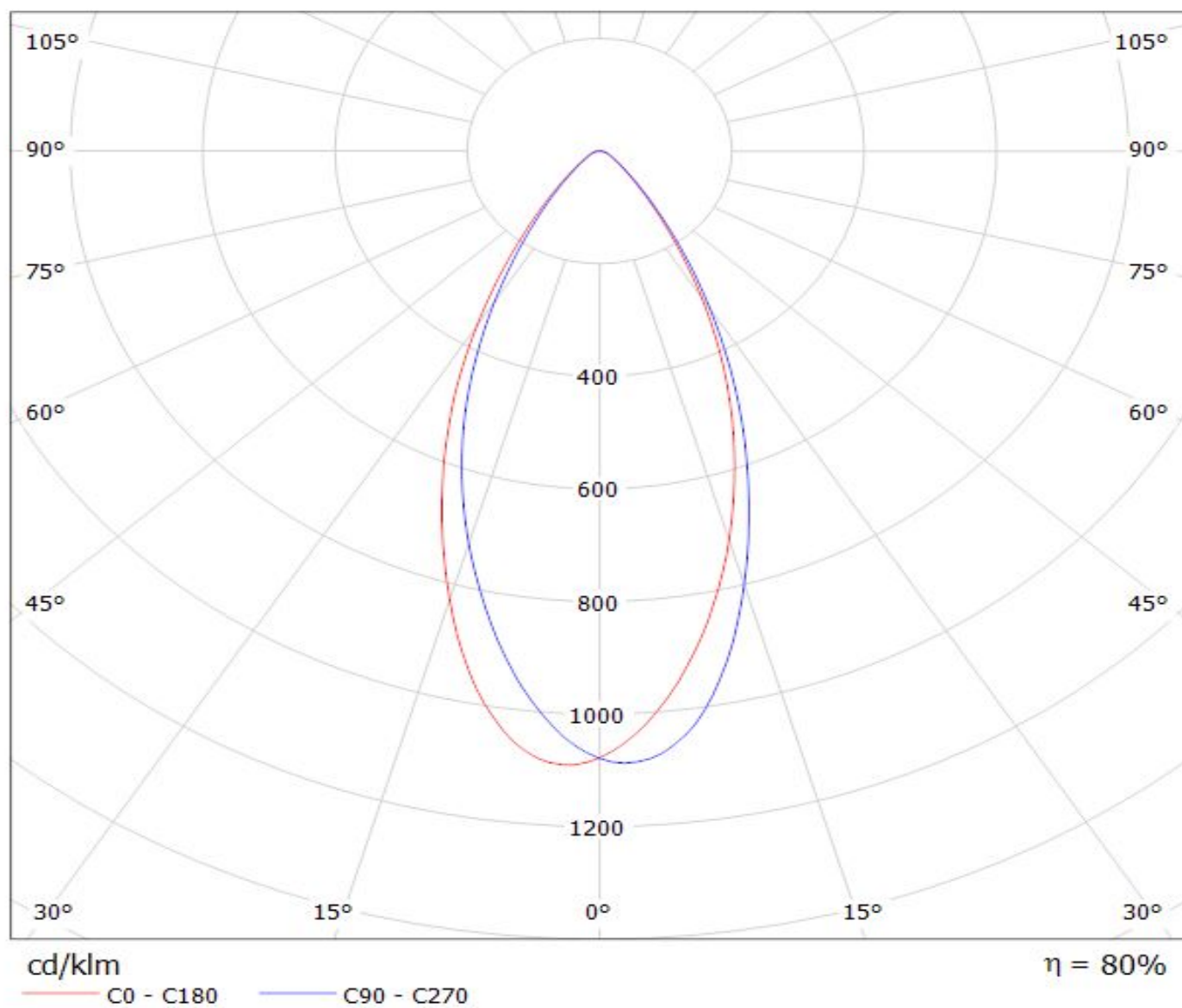


Luminaire: LEDiL Oy CN13904_MIRELLA-50-W-PIN-RZL_(CREE_XHP50_WARM_WHITE)
Lamps: 1 x CREE_XHP50_WARM_WHITE_195.126lm@250mA_P=1.39922W_I=0.2499A



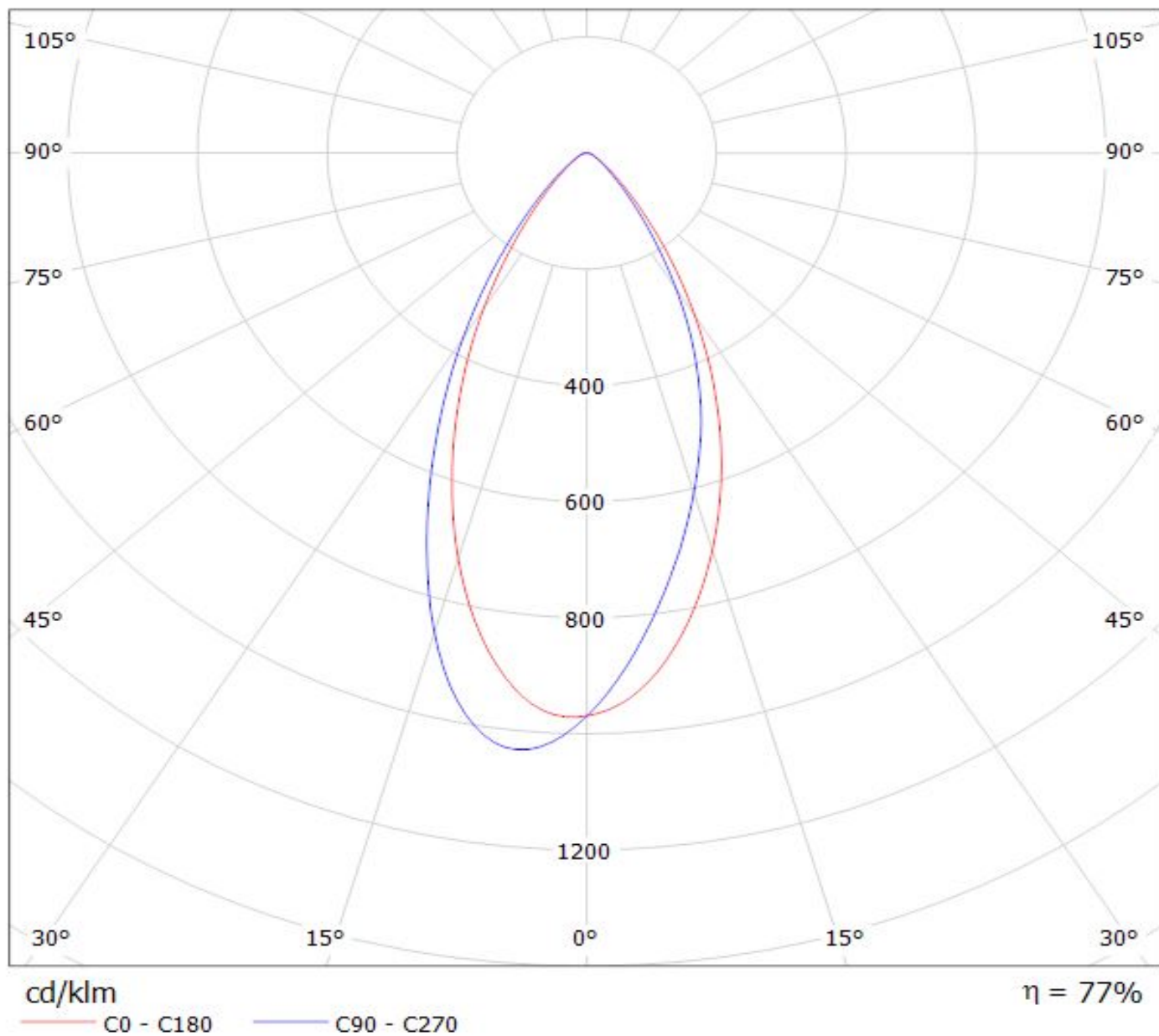
LEDiL Oy CN13904_MIRELLA-50-W-PIN-RZL_(Luxeon-Z_RGB) Eff.80.4% / LDC (Polar)

Luminaire: LEDiL Oy CN13904_MIRELLA-50-W-PIN-RZL_(Luxeon-Z_RGB) Eff.80.4%
Lamps: 1 x Luxeon-Z_RGB_161.075lm@250mA_P=2.64394W_I=249.9mA



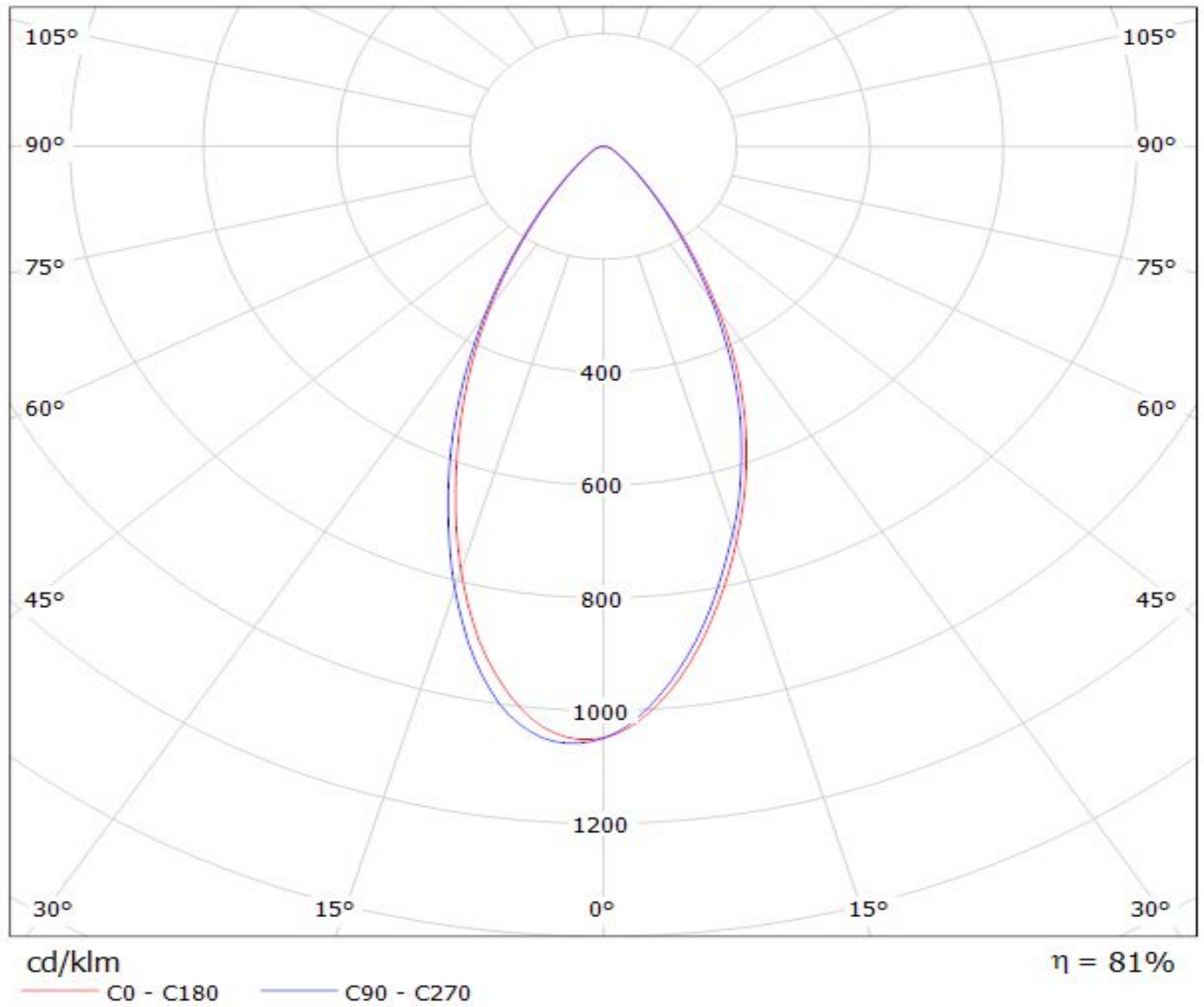
Luminaire: LEDiL Oy CN13904_MIRELLA-50-W-PIN-RZL_(Luxeon_C_RGBW)

Lamps: 1 x Luxeon_C_RGBW_208.984lm@250mA_P=2.5474W_I=0.250A



**LEDiL Oy CN13904_MIRELLA-50-W-PIN-RZL_(Ostar_SMT_RGB) Eff.80.8% /
LDC (Polar)**

Luminaire: LEDiL Oy CN13904_MIRELLA-50-W-PIN-RZL_(Ostar_SMT_RGB) Eff.80.8%
Lamps: 1 x Ostar_SMT_RGB_(LE_ATB_S2W)_161.133lm@250mA_P=2.97337W_I=249.8mA



NOTE: The typical divergence will be changed by different color, chip size and chip position tolerance. The typical total divergence is the full angle measured where the luminous intensity is half of the peak value.