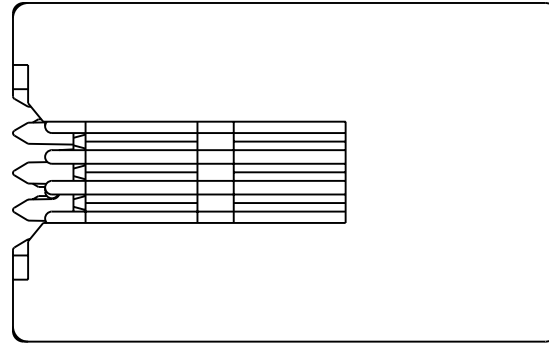


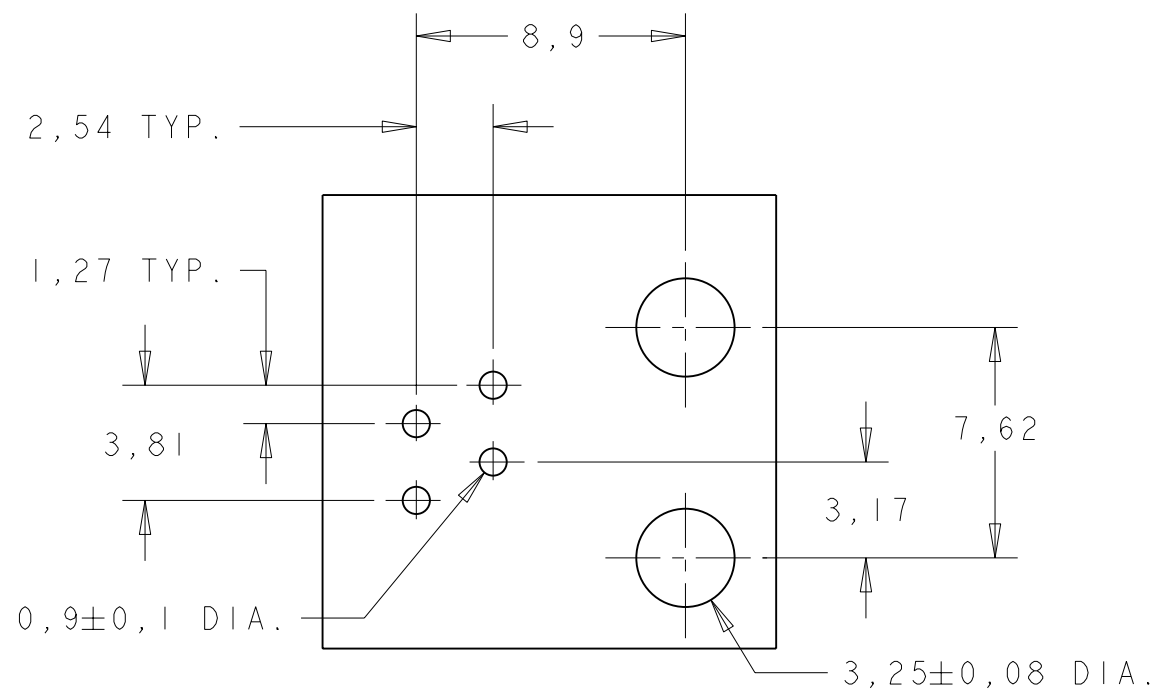
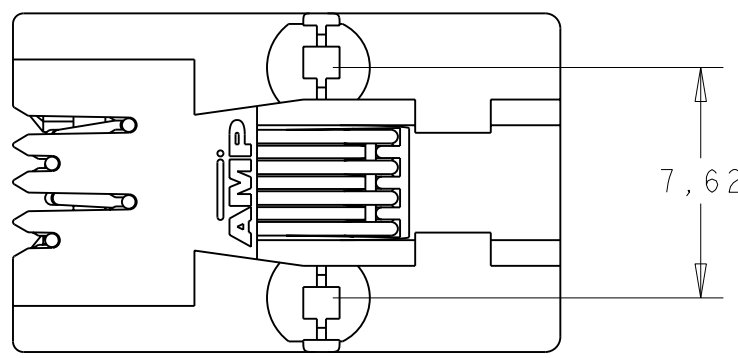
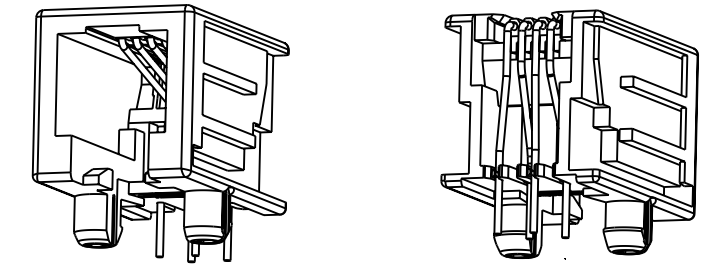
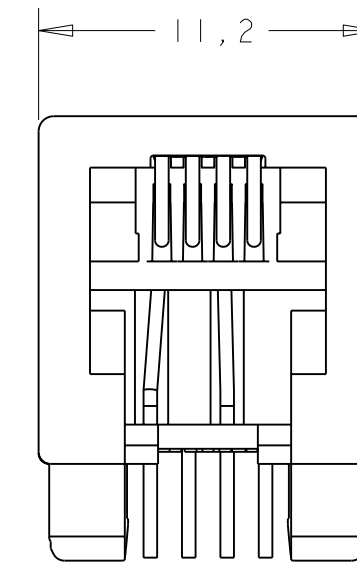
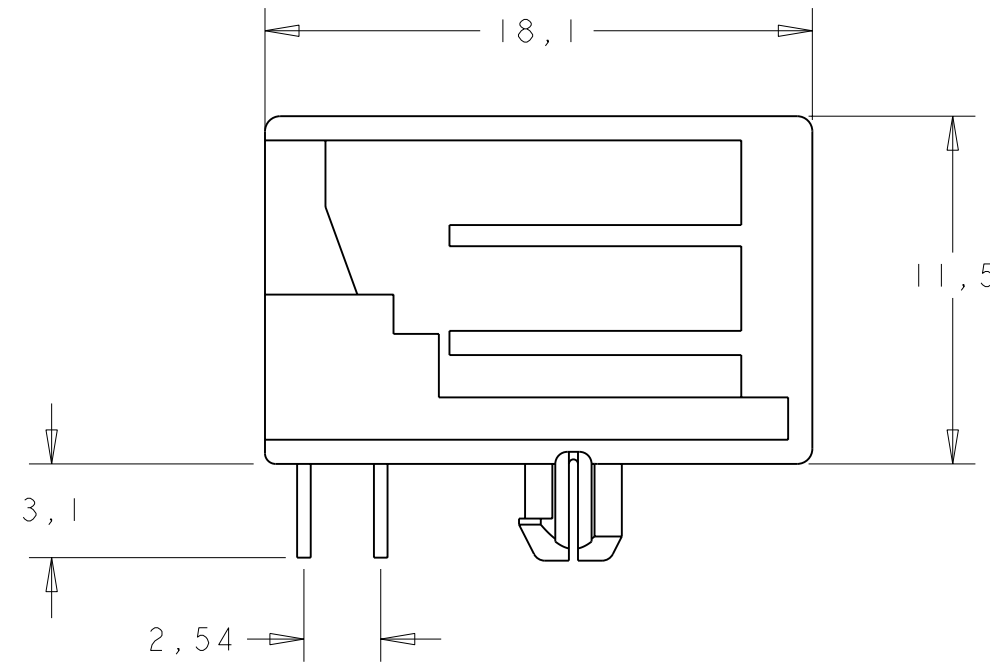
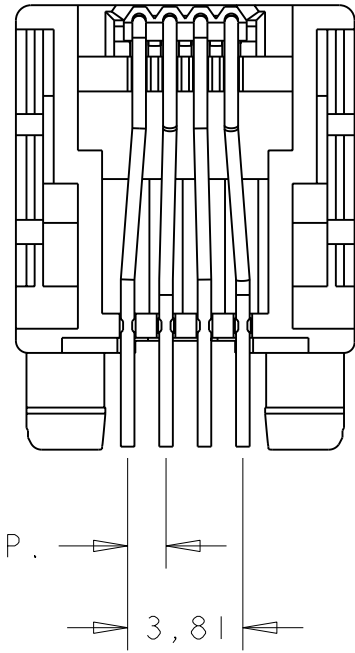
THIS DRAWING IS UNPUBLISHED. RELEASED FOR PUBLICATION  
 © COPYRIGHT copyright\_date ALL RIGHTS RESERVED.

LOC	DIST	REVISIONS			
P	LTR	DESCRIPTION	DATE	DWN	APVD
1R	-	U	ECR-05-012760	1-OCT-05	- JB
		V	ECR-10-020218	28DEC2010	PS RRP
		-	-	-	-
		-	-	-	-



NOTES:

- 1 TOLERANCE UNLESS OTHERWISE SPECIFIED: 0,15.
- 2 BULK PACKAGING: TRUE POSITIONING OF THE SOLDER TINES IS NOT GUARANTEED.
- 3 SUPERSEDED BY 1-215876-3



PRINTED CIRCUIT BOARD LAYOUT

(VIEW SHOWN IS CIRCUIT (NON-COMPONENT) SIDE OF BOARD.)  
 PRINTED CIRCUIT BOARD THICKNESS: 1,6mm NOMINAL.  
 TOLERANCE UNLESS OTHERWISE SPECIFIED: ±0,05.

OVERALL: Ni 1.27µm MIN. ALL OVER THE CONTACTS SOLDER ZONE: Sn 2.5µm MIN. ON THE SOLDER ZONE OF THE CONTACT MATING ZONE: PLATING CONFIRMS TO PRODUCT REQUIREMENTS AS PER SPECIFICATION 108-19064	HOUSING, COLOR BLACK: PBT 20% GF, UL 94V-0 CONTACT INSERT: PBT, UL 94V-0 CONTACTS: PH, BRONZE	290 PCS IN A TRAY 1-215875-3	50 PCS IN A TUBE (SEE SHEET 2) 3-215875-3	BULK PACKAGED IN A BOX 2-215875-1	<del>126 PIECES IN MULTI-TUBE</del> 1-215875-1	TAPE MOUNTED 1000pcs./reel 215875-1
FINISH	MATERIAL	PACKAGING	PARTNUMBER			

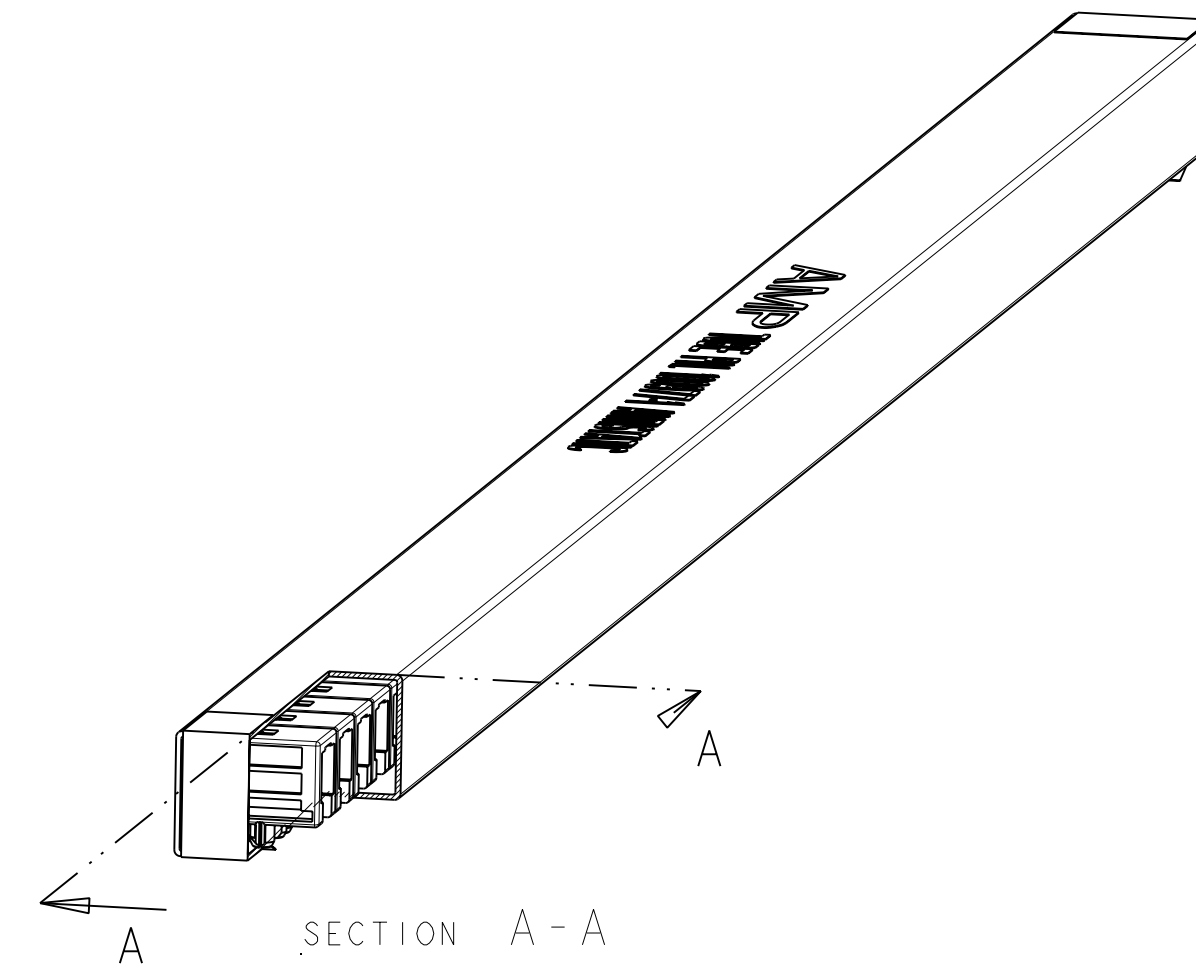
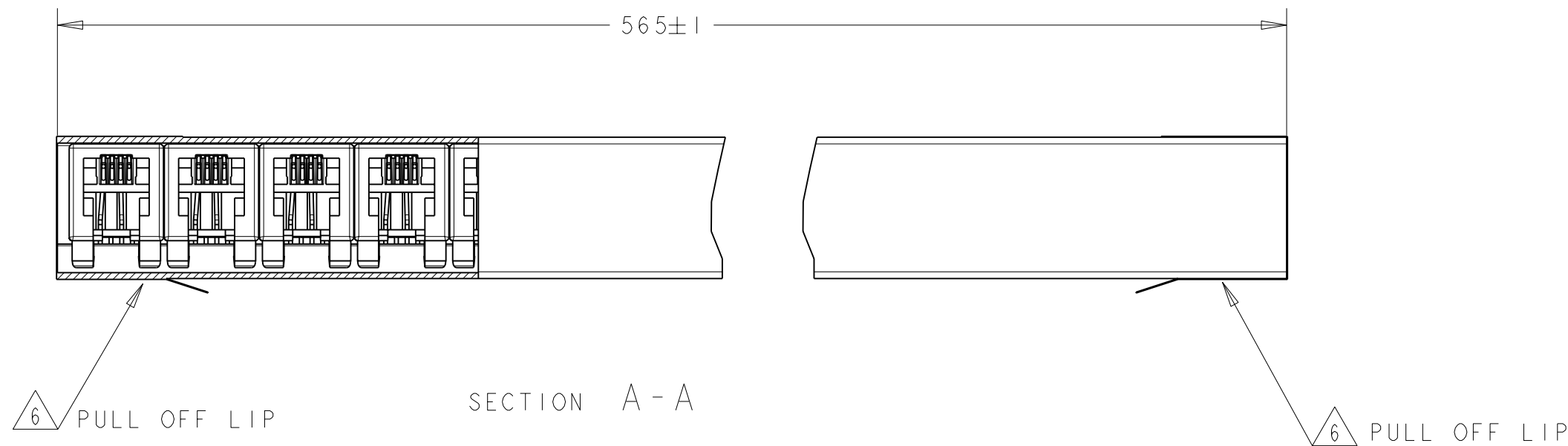
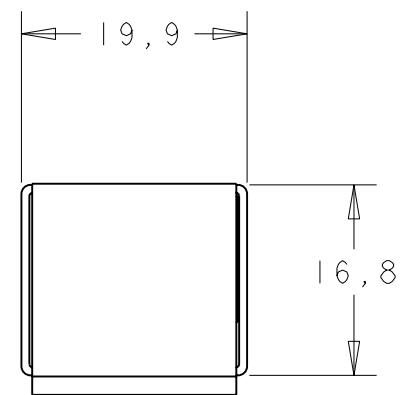
THIS DRAWING IS A CONTROLLED DOCUMENT.		DWN E.v.EIJK	TE Connectivity NAME: MODULAR JACK SIDE ENTRY 4/4 FOR PRINTED CIRCUIT BOARD			
DIMENSIONS: mm		CHK M.v.EJSEN				
TOLERANCES UNLESS OTHERWISE SPECIFIED:		APVD R.SMEETS				
0 PLC ± 1 PLC ± 2 PLC ± 3 PLC ± 4 PLC ± ANGLES ± FINISH		PRODUCT SPEC 108-19064 APPLICATION SPEC 114-19019				
MATERIAL	FINISH	WEIGHT	SIZE A20779	CAGE CODE C-215875	DRAWING NO	RESTRICTED TO
CUSTOMER DRAWING			SCALE 4:1	SHEET 1 OF 2	REV V	

THIS DRAWING IS UNPUBLISHED. RELEASED FOR PUBLICATION  
 © COPYRIGHT copyright\_date ALL RIGHTS RESERVED.

LOC	DIST	REVISIONS					
		P	LTR	DESCRIPTION	DATE	DWN	APVD
IR	-	-	-	SEE SHEET 1	-	-	-
		-	-		-	-	-
		-	-		-	-	-
		-	-		-	-	-

NOTES:

- 5 TUBE IS TRANSPARANT PVC.
- 6 TUBE IS CLOSED AT BOTH ENDS BY A TAPE.



THIS DRAWING IS A CONTROLLED DOCUMENT.		DWN E.v.EIJK	<b>STE</b> TE Connectivity	
DIMENSIONS: mm		CHK M.v.ESSEN		
TOLERANCES UNLESS OTHERWISE SPECIFIED:		APVD R.SMEETS	NAME MODULAR JACK SIDE ENTRY 4/4 FOR PRINTED CIRCUIT BOARD	
0 PLC ±		PRODUCT SPEC 108-19064	SIZE	CAGE CODE
1 PLC ±		APPLICATION SPEC 114-19019	DRAWING NO	
2 PLC ±		WEIGHT	RESTRICTED TO	
3 PLC ±			A20779C-215875	
4 PLC ±			SCALE	SHEET
ANGLES ±			4:1	2 OF 2
FINISH				REV V
MATERIAL		CUSTOMER DRAWING		