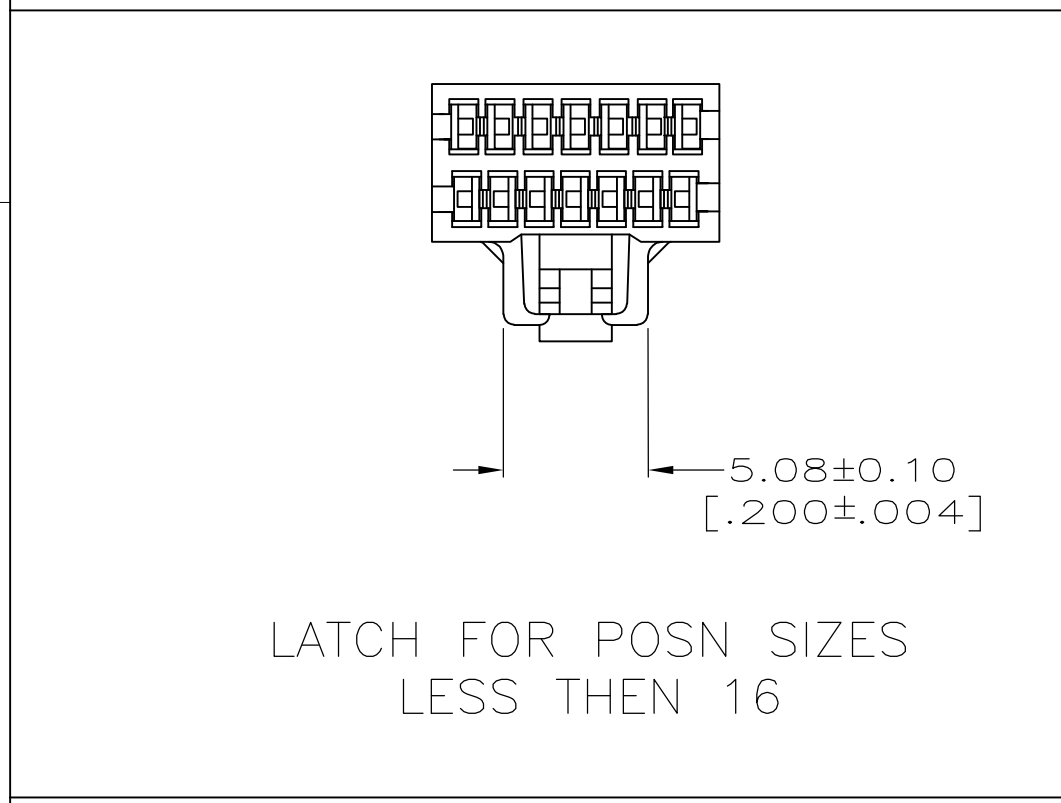
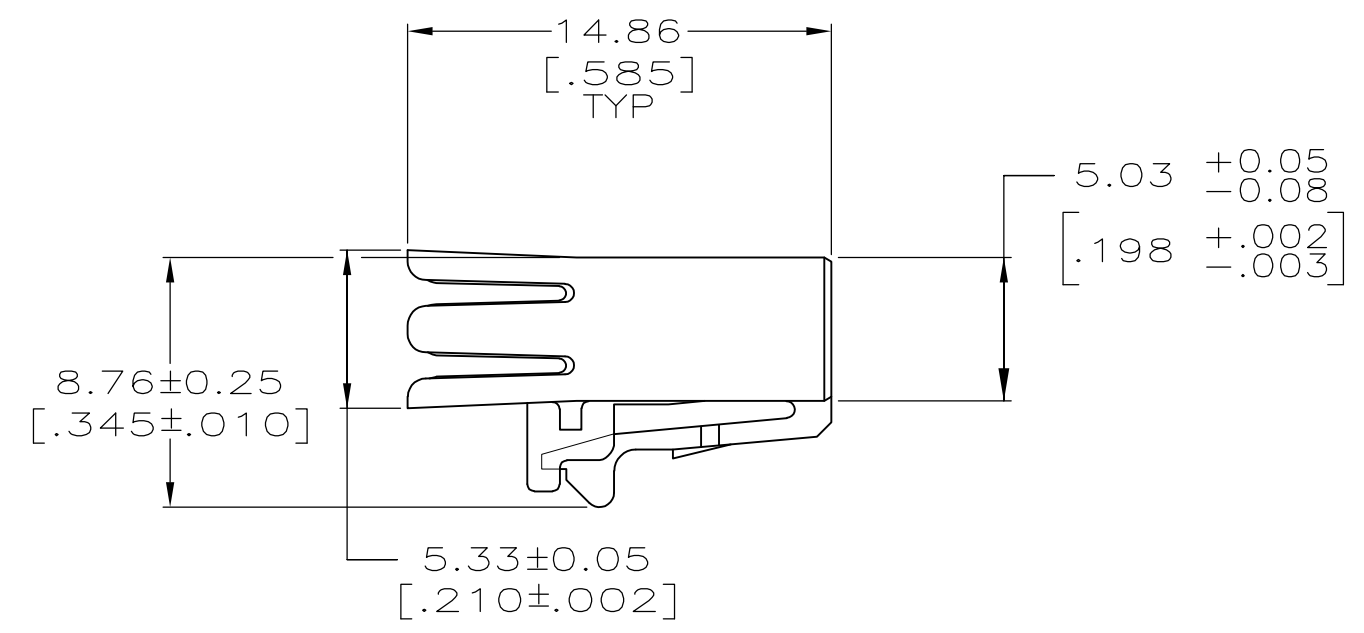
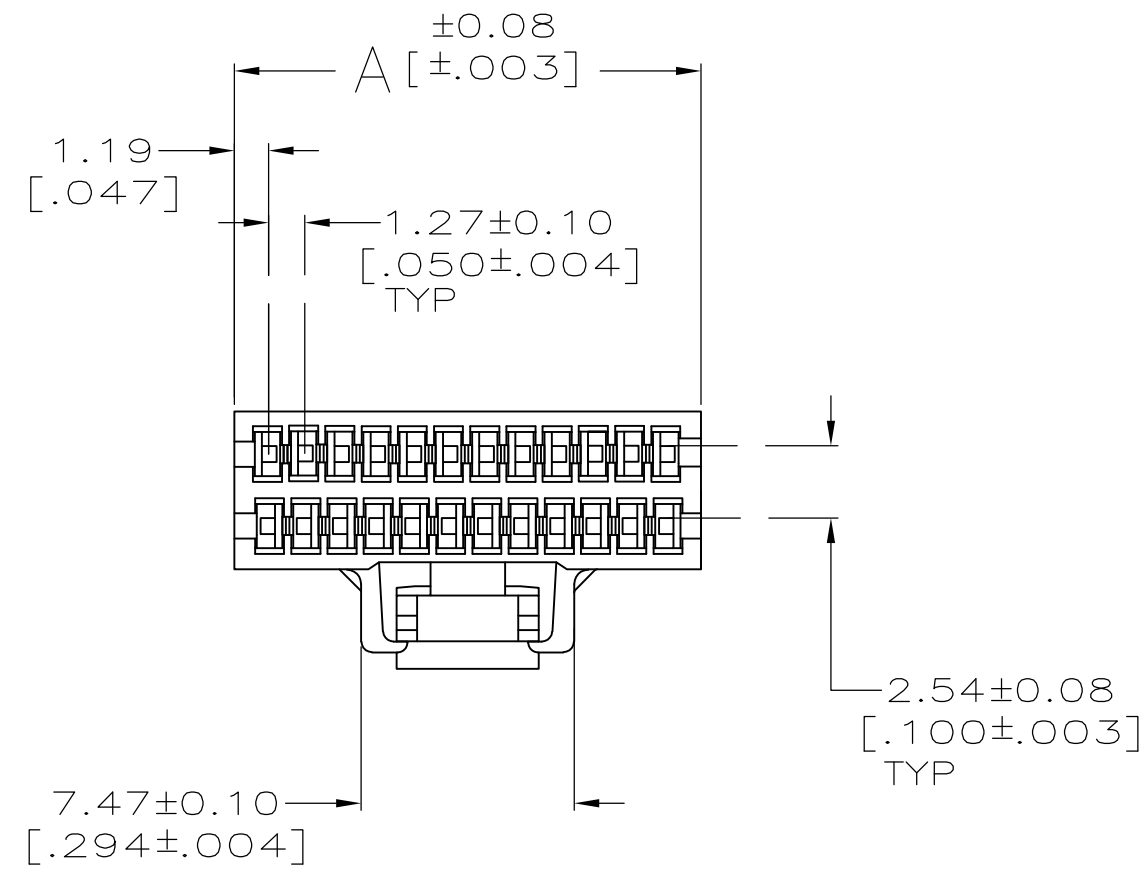


LOC	DIST	REVISIONS			
P	LTR	DESCRIPTION	DATE	DWN	APVD
AR	39	D3	REVISED PER ECO-12-003620	16FEB2011	RW SY



1 OBSOLETE PARTS: OBSOLETE CIS STREAMLINING PER D.RENAUD/D.SINISI

51.99 [2.047]	80	8-487937-0
46.91 [1.847]	72	7-487937-2
39.29 [1.547]	60	6-487937-0
32.94 [1.297]	50	5-487937-0
29.13 [1.147]	44	4-487937-4
26.59 [1.047]	40	4-487937-0
22.78 [.897]	34	3-487937-4
20.24 [.797]	30	3-487937-0
17.70 [.697]	26	2-487937-6
16.43 [.647]	24	2-487937-4
13.89 [.547]	20	2-487937-0
11.35 [.447]	16	1-487937-6
10.08 [.397]	14	1-487937-4
8.81 [.347]	12	1-487937-2
7.54 [.297]	10	1-487937-0
6.27 [.247]	8	487937-8
64.69 [2.547]	100	487937-1
A	NO OF POSN	PART NO

THIS DRAWING IS A CONTROLLED DOCUMENT.		DWN C.OBERMAN 02/08/91	STE TE Connectivity	
DIMENSIONS: mm[INCHES]		CHK J McCLINTON 3-5-91		
TOLERANCES UNLESS OTHERWISE SPECIFIED:		APVD D L.ROCKER 3-6-91	NAME HOUSING, RCPT, .050 , FFC	
0 PLC ± -		PRODUCT SPEC	SIZE CAGE CODE DRAWING NO RESTRICTED TO	
1 PLC ± -		APPLICATION SPEC	A2 00779 G-487937 -	
2 PLC ± 0.13 [.005]		WEIGHT	SCALE 4:1 SHEET 1 OF 1 REV D3	
3 PLC ± -		MATERIAL POLYESTER BLACK	CUSTOMER DRAWING	
4 PLC ± -		FINISH		
ANGLES ± ± -				