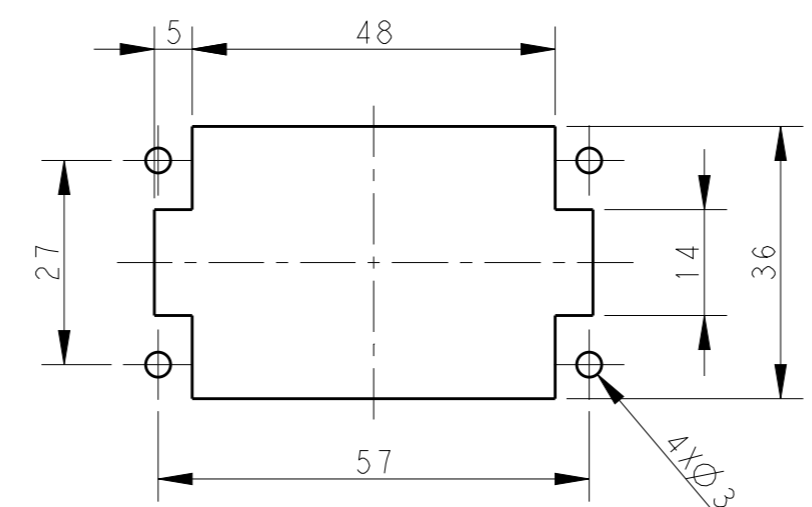
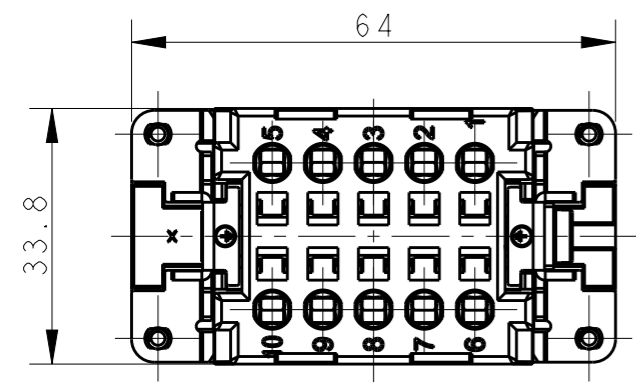


THIS DRAWING IS UNPUBLISHED. RELEASED FOR PUBLICATION 20
 © COPYRIGHT 20 BY - ALL RIGHTS RESERVED.

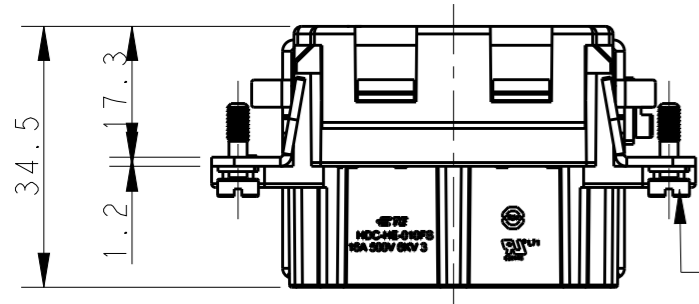
REVISIONS					
P	LTR	DESCRIPTION	DATE	DWN	APVD
A		INITIAL RELEASE	09APR2015	GY	CW
B		ECR-15-013759	29SEP2015	DW	CW
B1		ECR-16-009892	13JUL2016	RL	CW



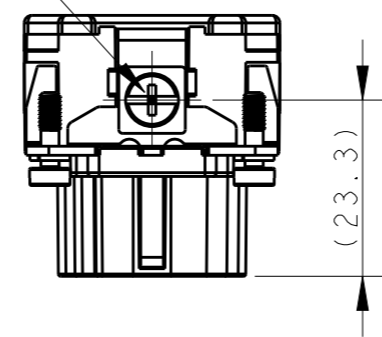
PANEL CUT OUT FOR INSERTS FOR USE WITHOUT HOODS/HOUSING
 不使用防护外壳时芯件的安装开孔图

NOTES:
 1. TECHNICAL CHARACTERISTICS:
 INSULATION MATERIAL: PC
 RATED VOLTAGE: 500V
 RATED CURRENT: 16A
 INSULATION RESISTANCE: $\geq 400M\Omega$
 RATED IMPULSE VOLTAGE: 6KV
 POLLUTION DEGREE: 3
 FLAMMABILITY: UL94V-0
 MATING CYCLES: 500 CYCLES
 WIRE RANGE: $0.5mm^2 \sim 2.5mm^2$ (AWG20-AWG14)
 CONTACT FINISH: SILVER PLATED
 CONTACT TYPE: SPRING CLAMP

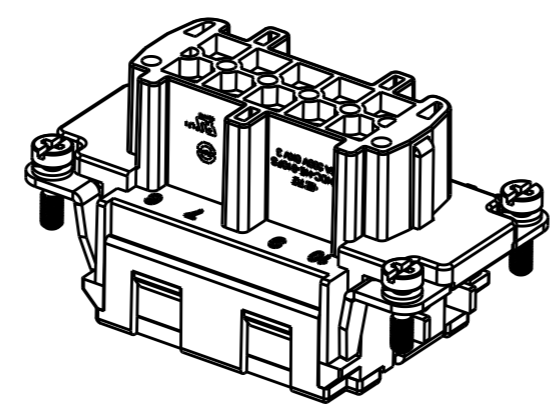
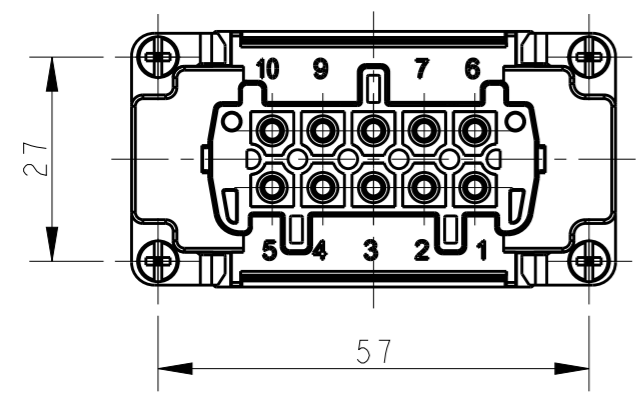
M4 SCREW, RECOMMENDED TIGHTENING TORQUE 1.2Nm
 M4螺丝, 推荐扭力矩为 1.2Nm



4X M3 SCREW RECOMMENDED TIGHTENING TORQUE 0.5Nm
 4 X M3螺丝, 推荐扭力矩为 0.5Nm



注释:
 1. 技术参数:
 绝缘材料: PC
 额定电压: 500V
 额定电流: 16A
 绝缘电阻: $\geq 400M\Omega$
 脉冲电压: 6KV
 污染等级: 3
 阻燃等级: UL94V-0
 插拔次数: 500 次
 接线范围: $0.5mm^2 \sim 2.5mm^2$ (AWG20-AWG14)
 端子表面处理: 镀银
 接线类型: 弹片压接



T2040103201-001	HE-010-FS	HE-010 FEMALE INSERT, WITH STAINLESS STEEL SCREW, SPRING CLAMP HE-010母插, 带不锈钢螺丝, 弹片	STAINLESS STEEL	STAINLESS STEEL
T2040103201-000	HE-010-FS	HE-010 FEMALE INSERT, SPRING CLAMP HE-010母插, 弹片	STEEL	STEEL
PART NUMBER 料号	PART DESCRIPTION 描述		FIXING SCREW MAT'L 压线螺丝材质	GROUND CONTACT SCREW MAT'L 接地连接螺丝材质

THIS DRAWING IS A CONTROLLED DOCUMENT.		DWN Gino.Yao 09APR2015				
DIMENSIONS: mm		CHK Chris.Wang 09APR2015			NAME HE-010-FS	
TOLERANCES UNLESS OTHERWISE SPECIFIED:		APVD Xiang.Xu 09APR2015				
0 PLC ±- 1 PLC ±- 2 PLC ±- 3 PLC ±- 4 PLC ±- ANGLES ±-		PRODUCT SPEC 108-137044				
MATERIAL	FINISH	APPLICATION SPEC 114-137044	SIZE A3	CAGE CODE 00779	DRAWING NO T2040103201000	RESTRICTED TO
Customer Drawing			SCALE 1:1	SHEET 1	OF 1	REV B1